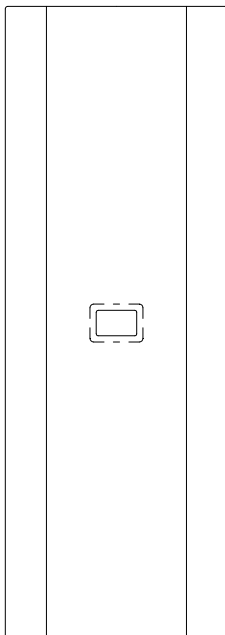
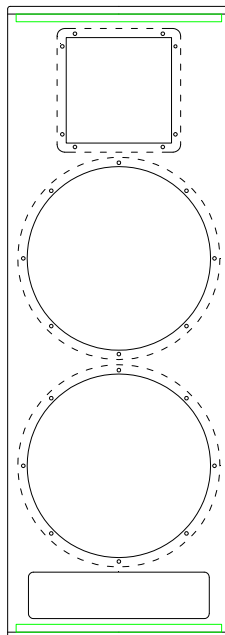
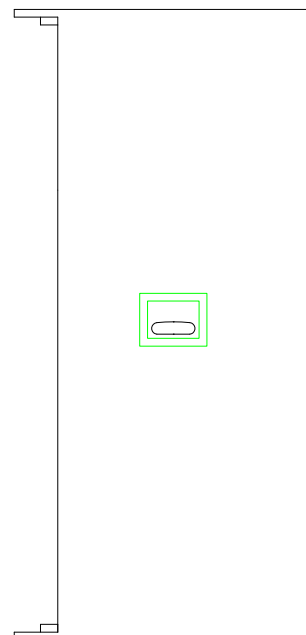


Technical Specifications

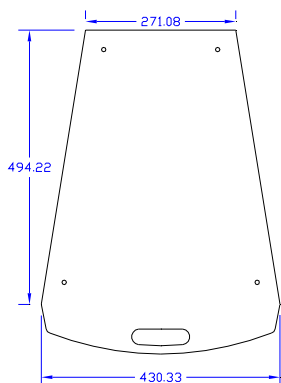
Acoustic cabinet:	FR215
Description:	2 Way System. Double 15" and High Frequency unit
Power AES:	1400 W.
Power Program:	2800 W.
Sensitivity 2,83v @ 1m:	97 dB.
Max. SPL continuous:	128 dB.
Max. SPL peak:	134 dB.
Frequency response:	40 - 20.000Hz.
Coverage (H x V):	80° x 50°
Bass Loudspeakers:	2 x 15G40 (Other suitable combinations: 15P1000Fe or 15P1000Nd or 15G450N) (technical datasheets available at www.beyma.com)
Compression Driver:	SMC65 (Other suitable combinations: SMC65Nd or CP755Nd or CP755Ti or CP755Nd/Al) (technical datasheets available at www.beyma.com)
Constant Directivity Horn:	TD-385 (Other suitable combination: TD-365 (60° x 50°))
Crossover:	FP-215
Hardware:	External
Net Volume	162 Liters
Vent dimensions	350x90x15 mm.

Rear view / Vista trasera**Front view / Vista frontal****Lateral view / Vista lateral**

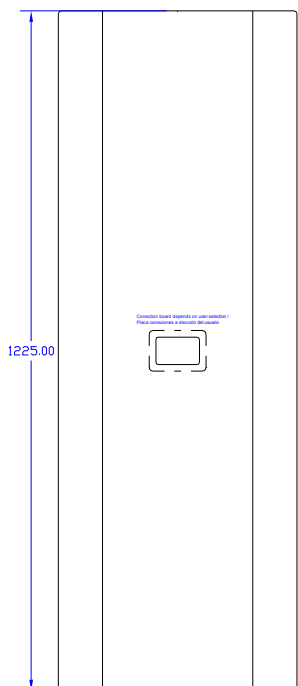
Modelo: FR215
 Unidades de cad en mm.
 Construido en tablero de 15 mm.
 Alojamiento altavoces rebaje 4 mm.
 Alojamiento placa conexiones rebaje 6 mm.
 Alojamiento tacos base rebaje 6 mm.
 Volumen neto: 162 l.
 Dimensiones resonador: 350x90x15 mm.

Model: FR215
 Units of cad in mm.
 Panels thickness: 15 mm.
 Rabbet for speakers cut out diameter: 4 mm.
 Rabbet for connections panel: 6 mm.
 Rabbet for base feet: 6 mm.
 Net volume: 162 l.
 Vent dimensions: 350x90x15 mm.

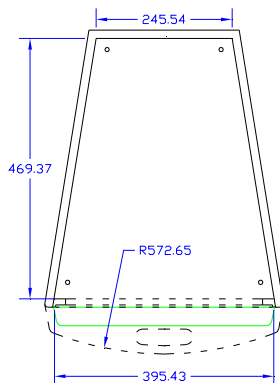
External cenital view /
 Vista cenital externa



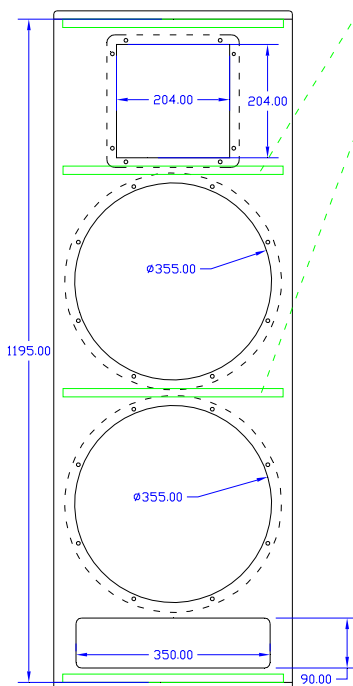
Rear view / Vista trasera



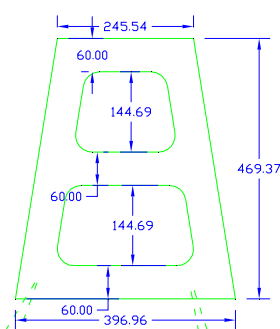
Cenital section view /
 Vista cenital sección



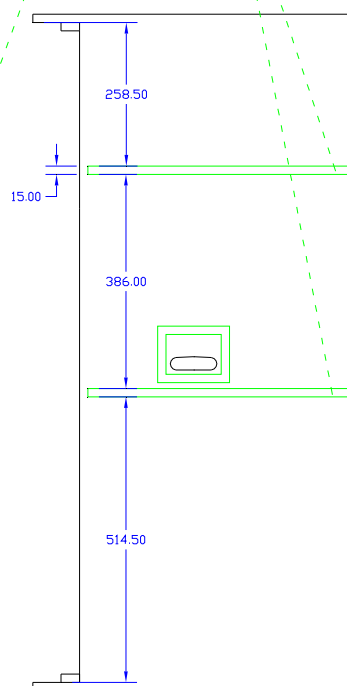
Front view / Vista frontal



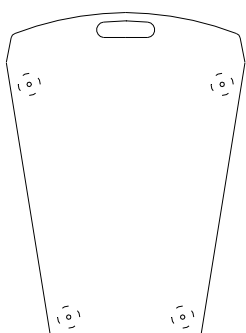
Internal reinforcement /
 Refuerzo interno



Lateral view / Vista lateral

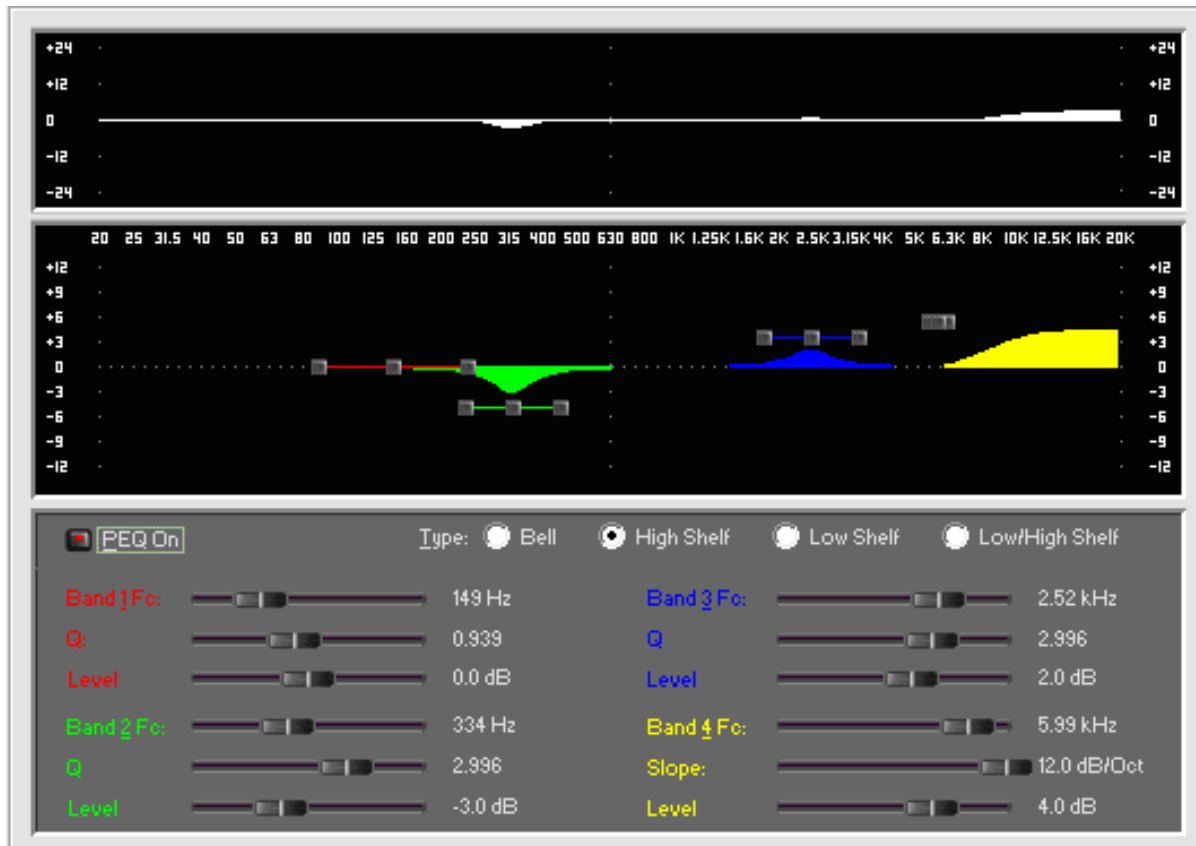


Base



Note: These drawings show the basic functional internal and external dimensions. All the detailed information related to dimensions can be found in the CAD file, which can be downloaded from the "Resources" section at www.beyma.com. Please note that the accessories (handle, grills and grill supports, connection board, etc.) shown in these drawings can be modified depending on the user selection. If further information is needed please do not hesitate to contact us.

Nota: Estos planos muestran información funcional básica de dimensiones internas y externas. Toda la información detallada de dimensiones y cotas se encuentra en el fichero CAD, que puede descargarse desde la zona "Recursos" en www.beyma.com. Por favor tenga en cuenta que los accesorios (asas, cajetines, rejillas y soportes para rejillas, placa de conexiones, etc.) mostrados en estos planos pueden ser cambiados en función de la elección del usuario. No dude en contactar con nosotros si precisa de información adicional.



FR215 Crossover

