

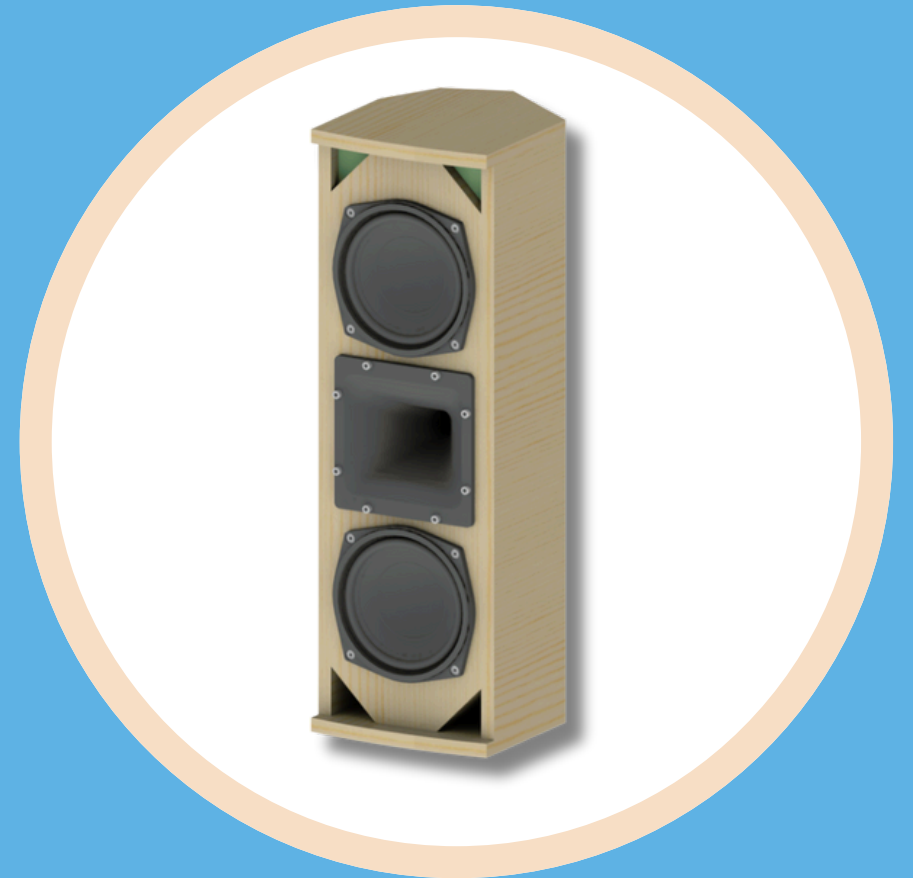
# FR-26P

FULL RANGE 2 WAY SYSTEM 2 X 6"

6P200Nd/Fe

CD151/Fe

TD-164P



ENCLOSURE RECOMMENDED DESIGN

[www.beyma.com](http://www.beyma.com)



# TECHNICAL SPECIFICATIONS

Frequency response (+/-3dB)	70Hz-22KHz
Usable bandwidth (-10dB)	55Hz-24KHz
Maximum SPL(*)	122dB
Sensitivity 1W@1m	90dB
HxV Coverage angle (-6dB)	80°x80°
Transducers LF	2x6P200Nd/Fe
Transducers HF	CD151Fe
AES Power Handling	200W
Nominal impedance	8Ω
Connectors	2xNL4
Box dimensions (**)	205 x 630 x 240 (Birch Plywood 15/9mm)

(\*) Peak level at 1m under free field conditions usin pink noise with 6dB crest factor

(\*\*) All dimmensions in millimeters



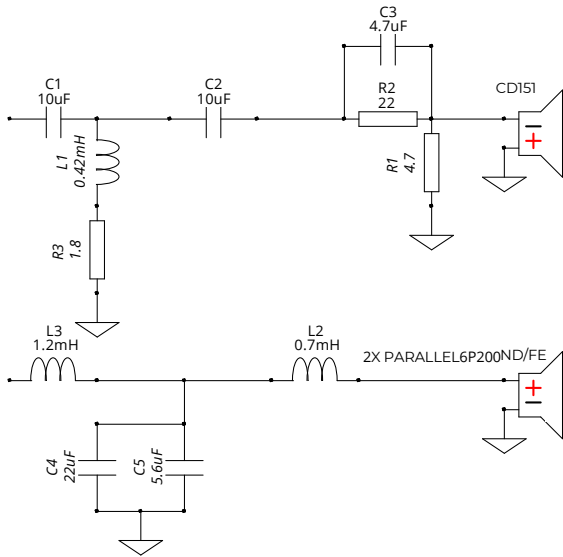


# PRESSETS

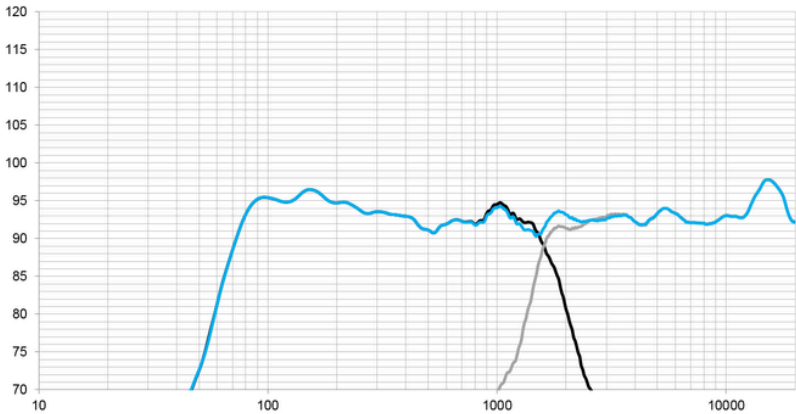
FR-26P	f(Hz)	Q	Gain(dB)
-	890	2,6	-3,5
-	4700	1,1	-6,5
-	7000	1,5	3
LIMITER	Thres (dBu)	Attack (ms)	Release (ms)
PEAK	8,3	8	128

\* for 32dB gain amplifier  
\* frequency response graph CD151Fe/PK with TD164P horn

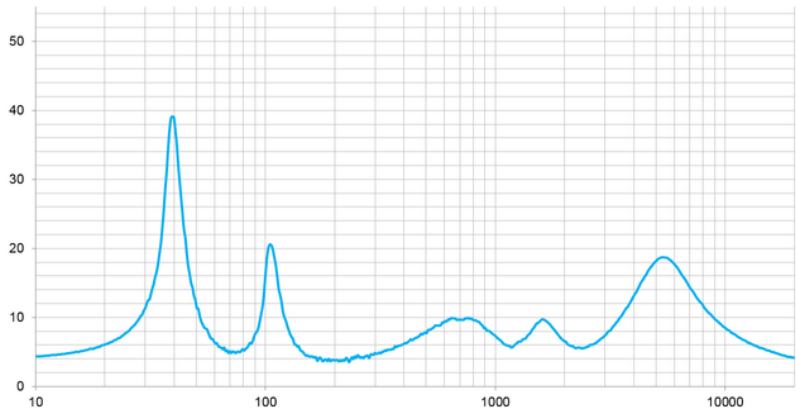
# PASSIVE CROSSOVER DESIGN



# FREQUENCY RESPONSE

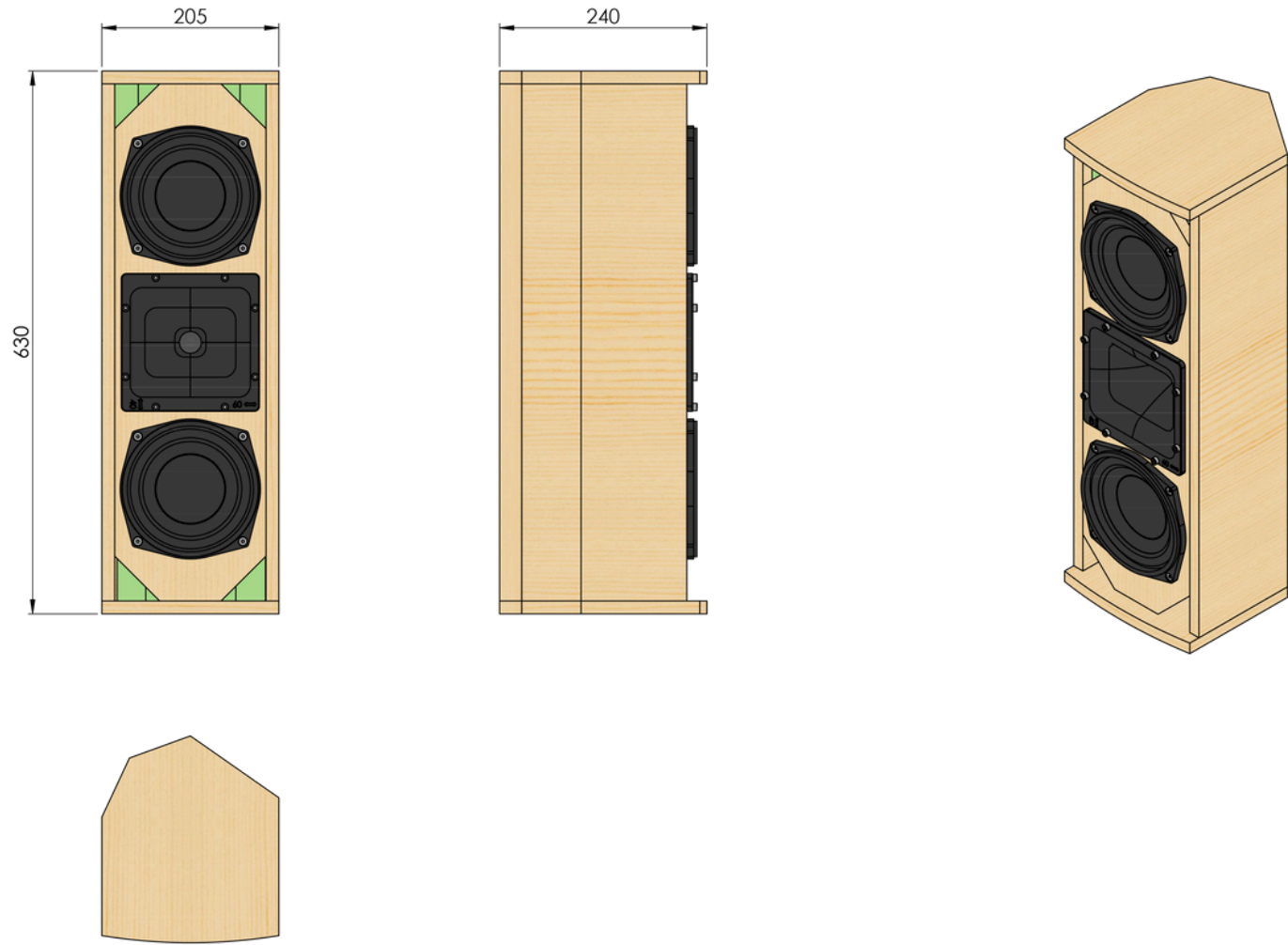


# IMPEDANCE



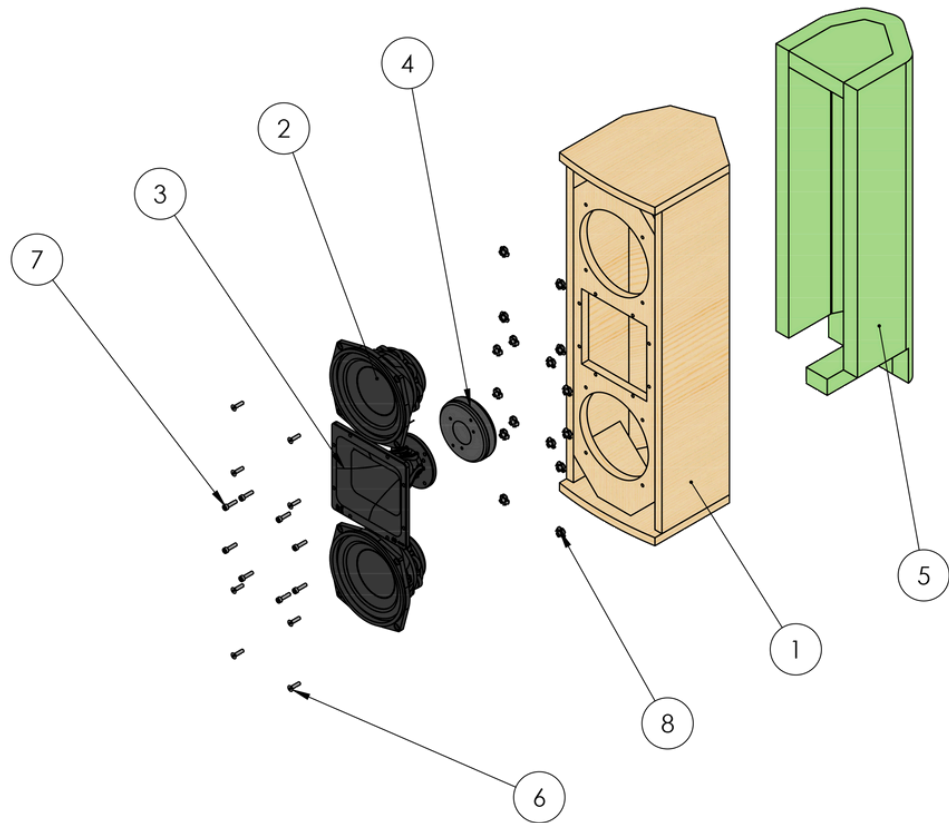


# GENERAL VIEW WITH COMPONENTS





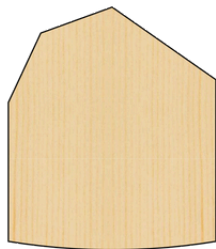
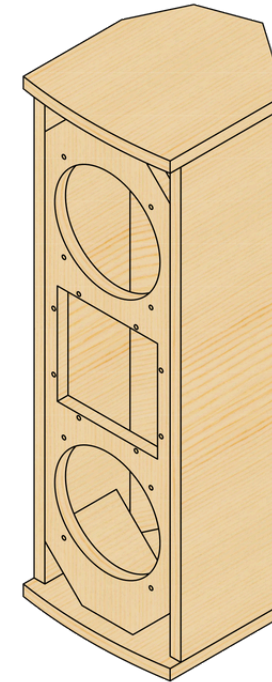
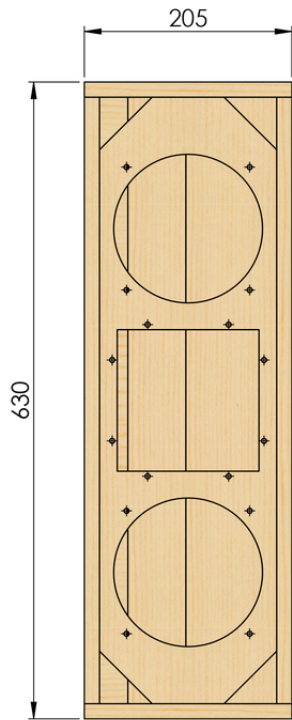
# EXPLODED VIEW WITH COMPONENTS



ELEMENT NUMBER	PIECE NUMBER	QUANTITY
1	FR-26P	1
2	6P200Nd/Fe	2
3	TD-164P	1
4	CD-151/Fe	1
5	FR-26P DAMPING MATERIAL	1
6	SCREW DIN 7991 M5x20	8
7	SCREW DIN 912 M5x20	8
8	NUT DIN1624 - M5	16

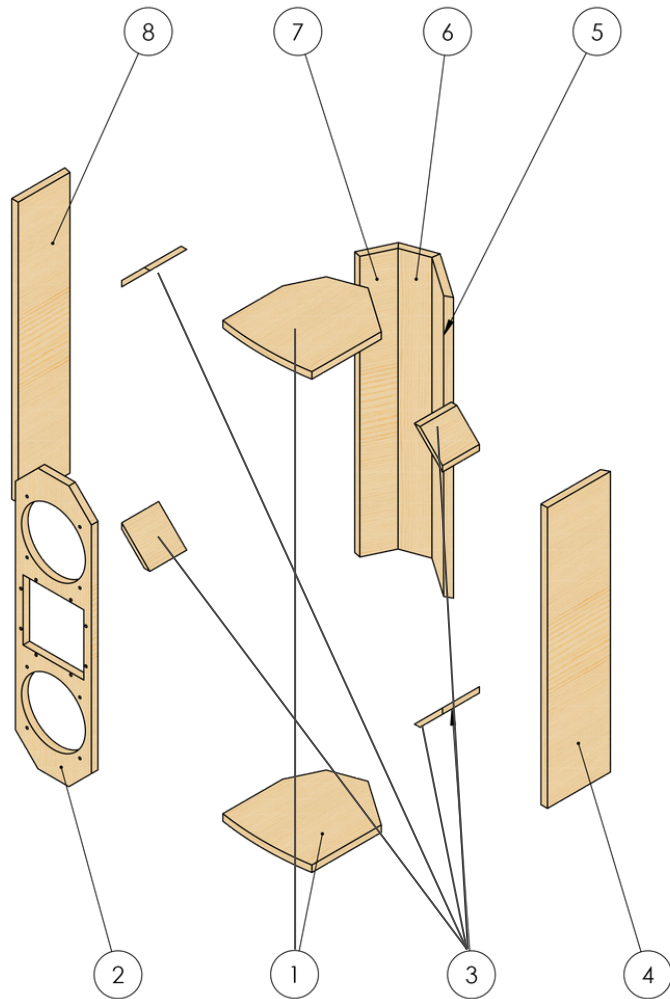
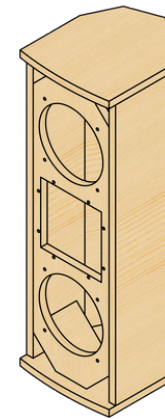


# GENERAL VIEW





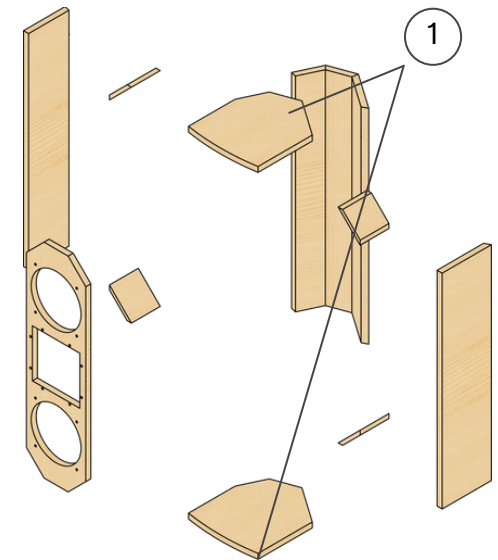
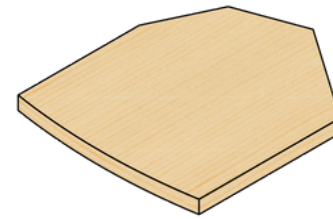
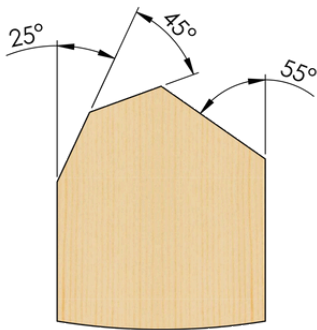
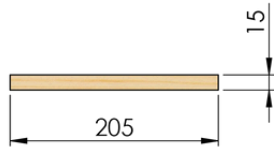
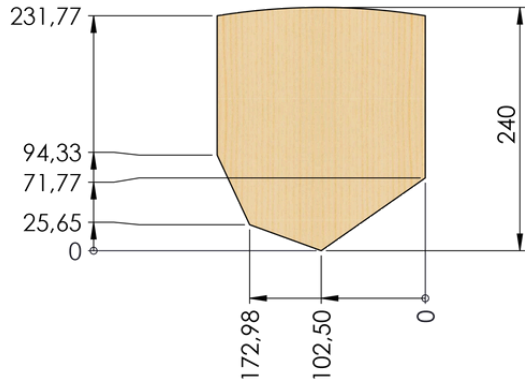
# EXPLODED VIEW



ELEMENT NUMBER	PIECE NUMBER	QUANTITY
1	TOP & BOTTOM PARTS	2
2	FRONT PANEL	1
3	REFLEX	4
4	SIDE_1	1
5	SIDE_2	1
6	SIDE_3	1
7	SIDE_4	1
8	SIDE_5	1



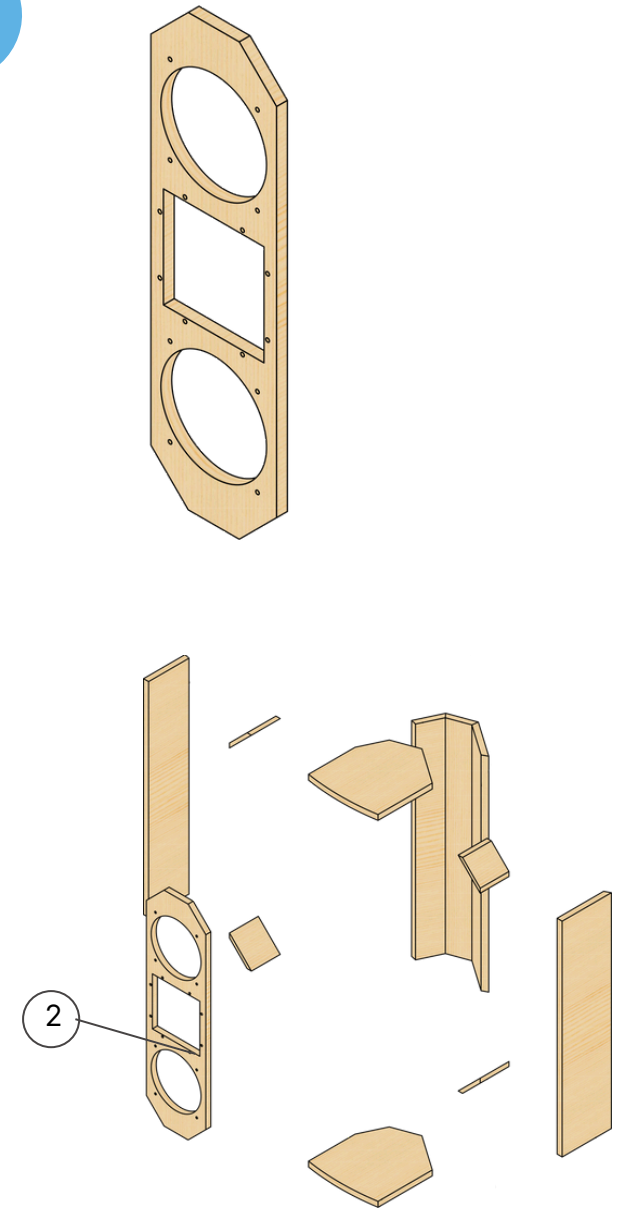
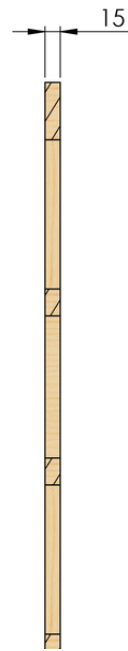
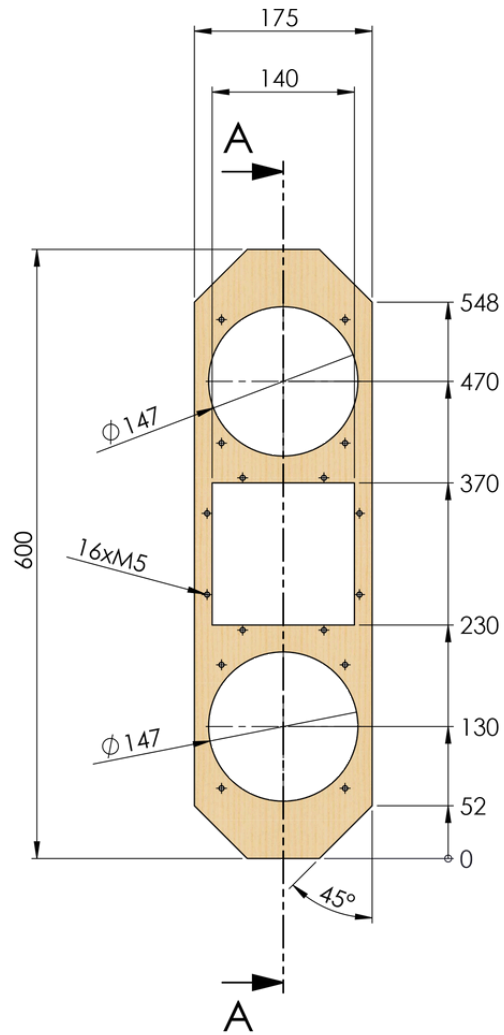
# TOP & BOTTOM PARTS





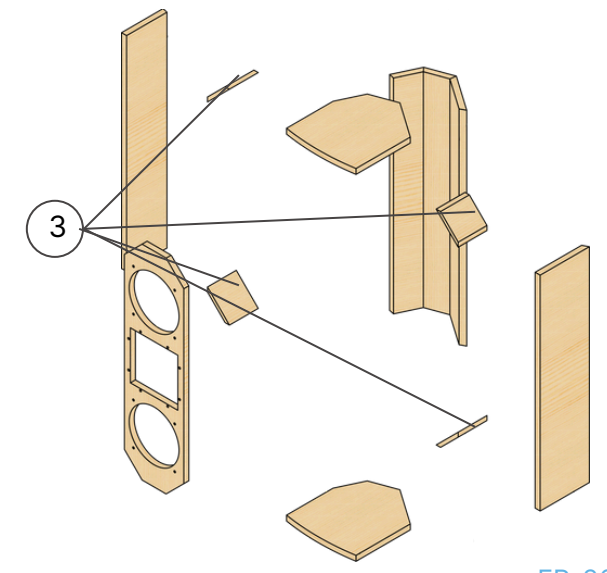
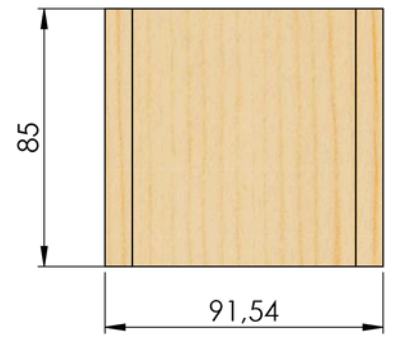
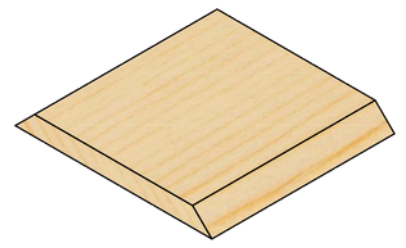
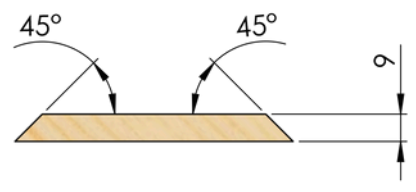


# FRONT PANEL



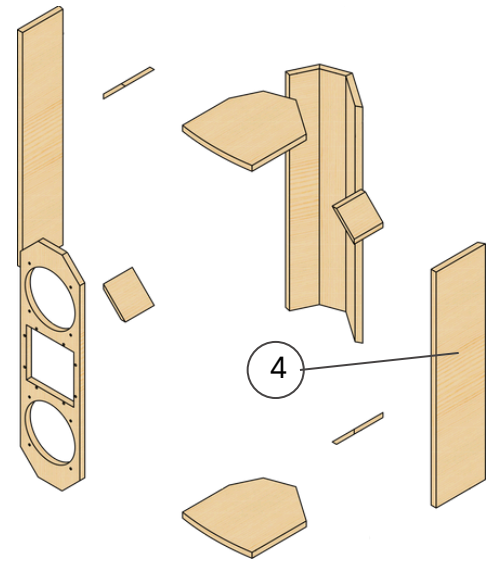
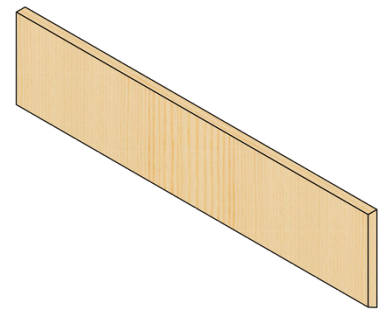
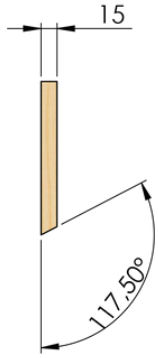


# REFLEX



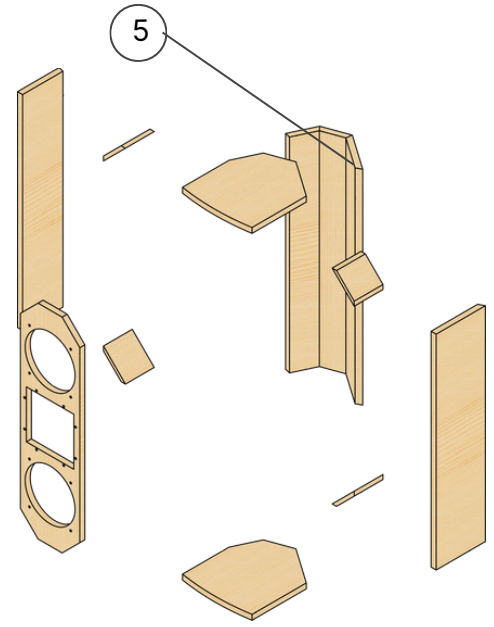
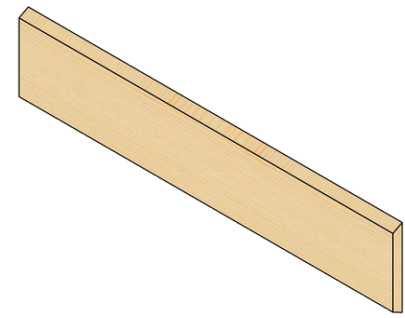
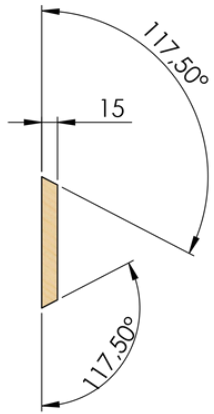


SIDE 1



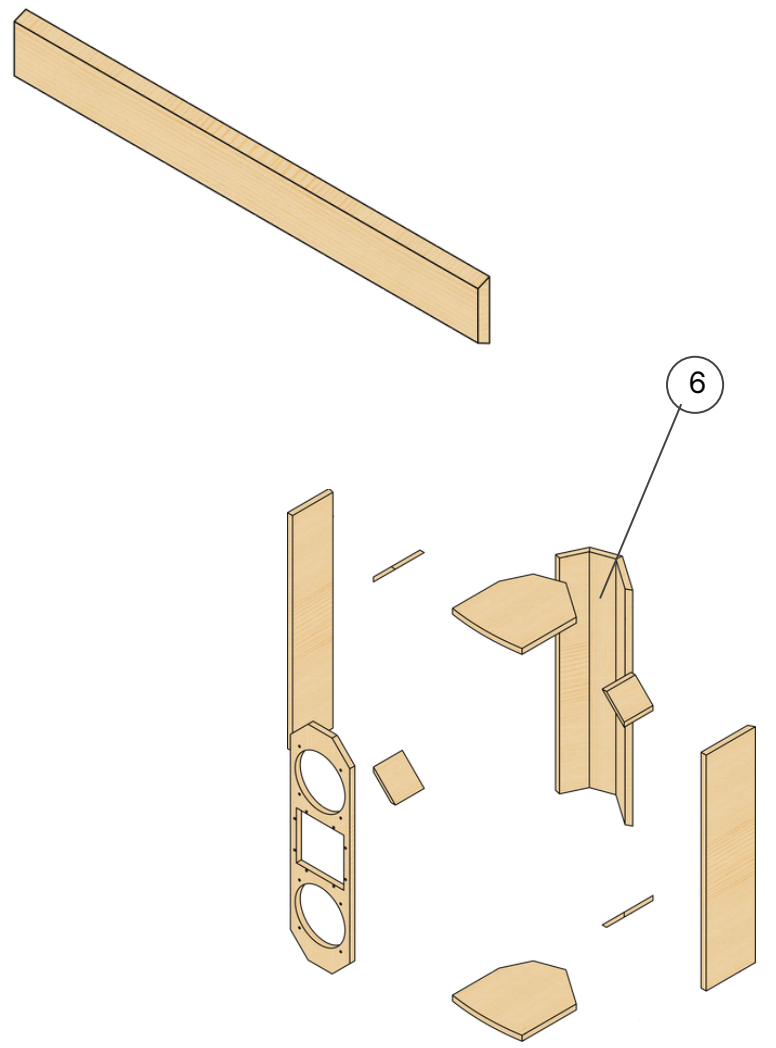
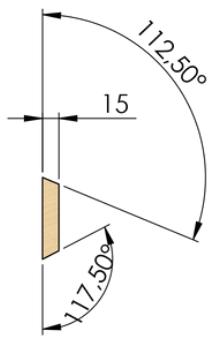
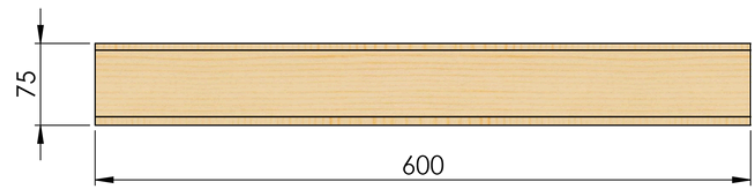


SIDE 2



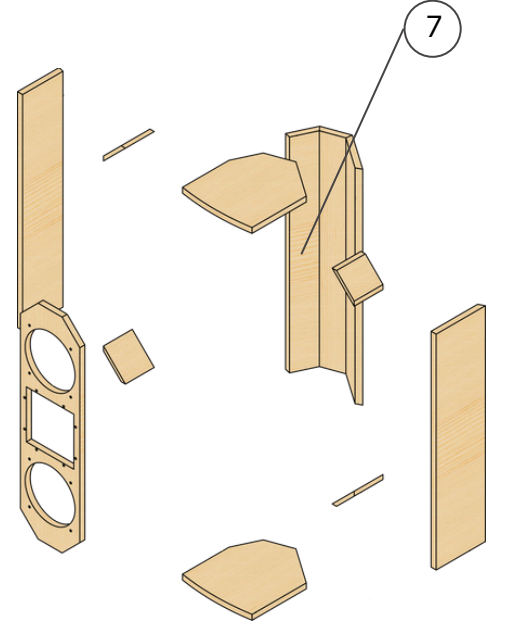
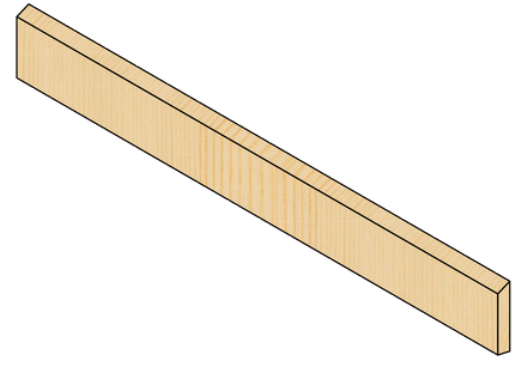
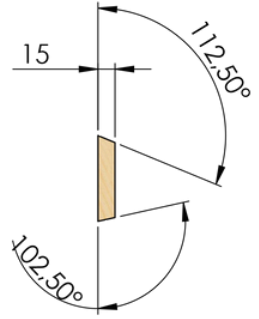
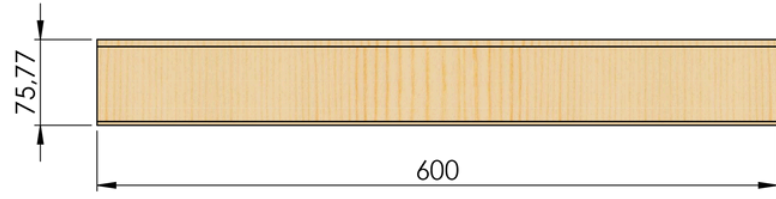


SIDE 3



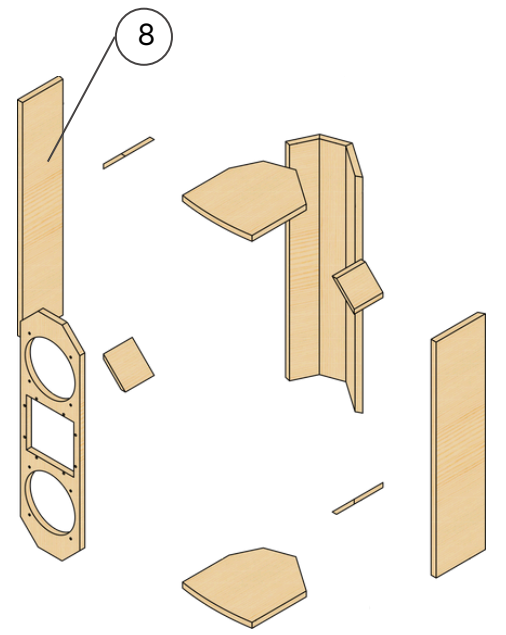
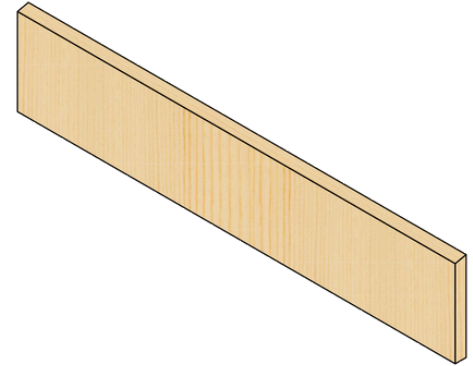
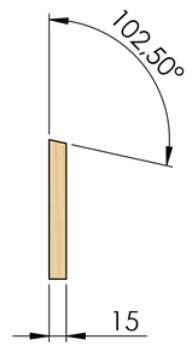


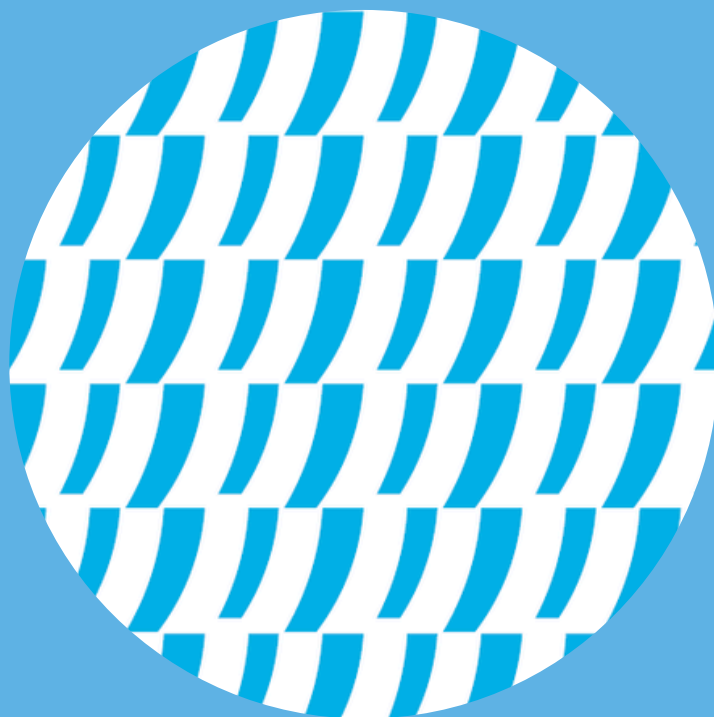
SIDE 4





SIDE 5





LET'S TALK

[www.beyma.com](http://www.beyma.com)