

FR-10MC HI

FULL RANGE 2 WAY SYSTEM 10"

10MC700ND/10MCB700

CD171Fe

TD-164P



ENCLOSURE RECOMMENDED DESIGN

www.beyma.com



TECHNICAL SPECIFICATIONS

Frequency response (+/-3dB)	85Hz-18KHz
Usable bandwidth (-10dB)	50Hz-20KHz
Maximum SPL(*)	131dB
Sensitivity 1W@1m	96dB
HxV Coverage angle (-6dB)	60°x40° rotatable
Transducers LF	10MC700ND/10MCB700
Transducers HF	CD171Fe
AES Power Handling	700W
Nominal impedance	8Ω
Connectors	2xNL4
Box dimensions (**)	290 x 480 x 242 (Birch Plywood 15/9mm)

(*) Peak level at 1m under free field conditions usin pink noise with 6dB crest factor

(**) All dimmensions in millimeters



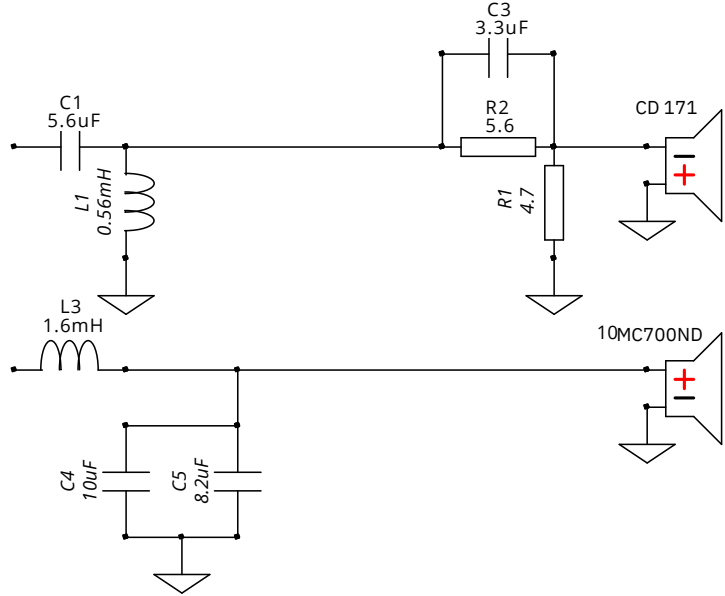


PRESSETS

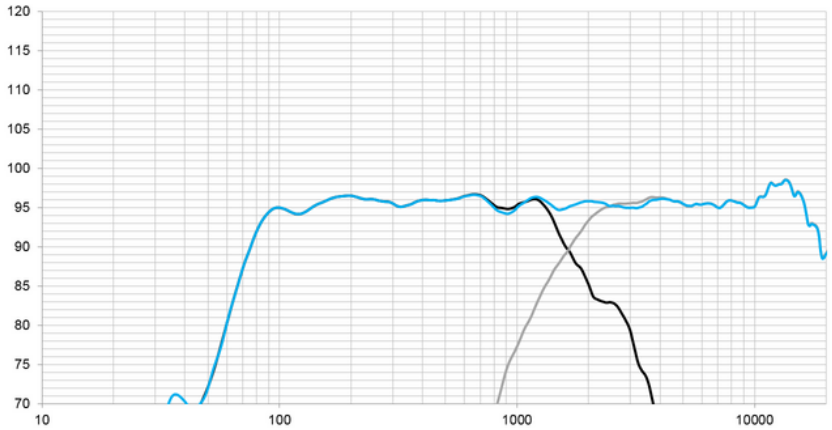
FR-10MC HI	f(Hz)	Q	Gain(dB)
L-SH 12dB/oct	200		4,3
-	330	4	3,2
-	420	2,8	-5,9
-	3000	1	-5
LIMITER	Thres (dBu)	Attack (ms)	Release (ms)
PEAK	10,7	8	128

* for 32dB gain amplifier
* frequency response graph CD171Fe/PK with TD164P horn

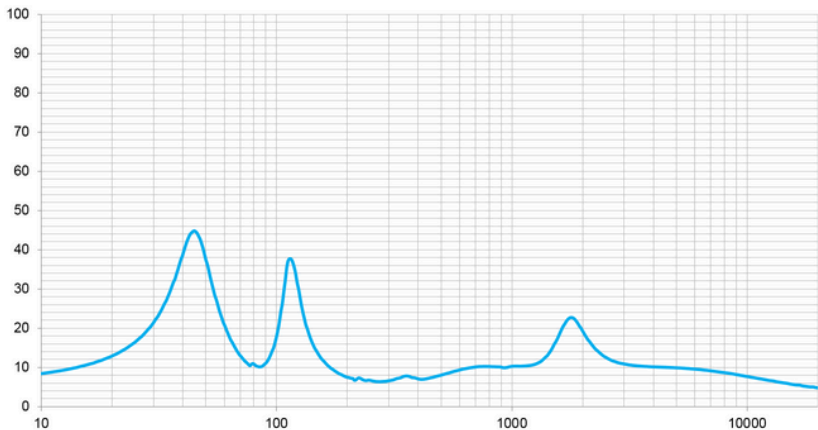
PASSIVE CROSSOVER DESIGN



FREQUENCY RESPONSE

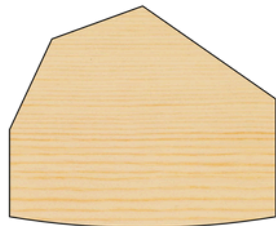
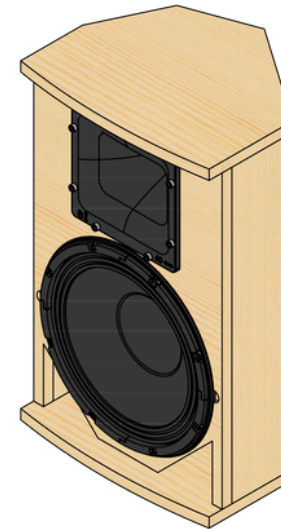
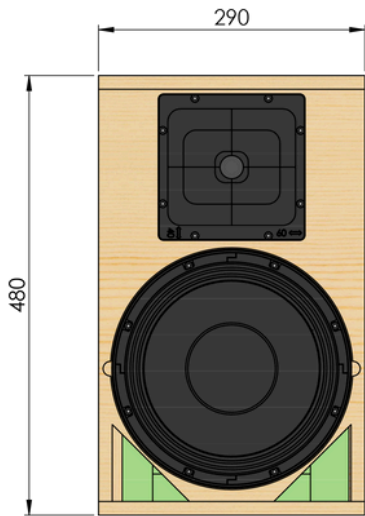


IMPEDANCE



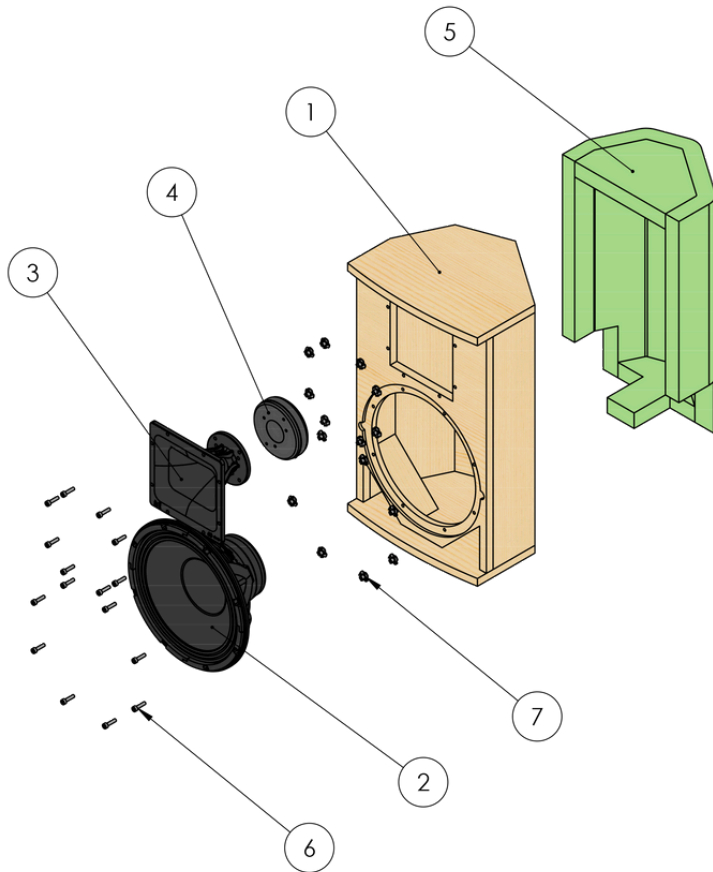


GENERAL VIEW WITH COMPONENTS





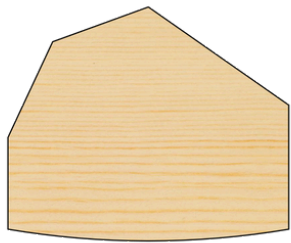
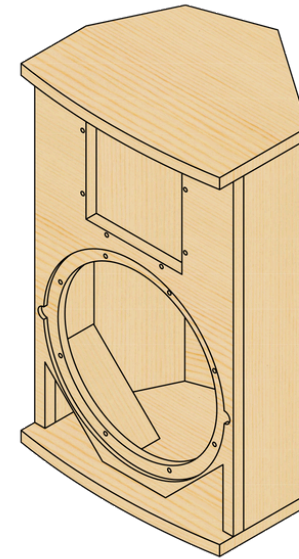
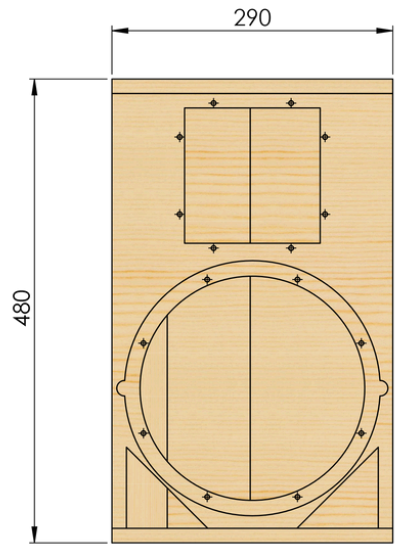
EXPLODED VIEW WITH COMPONENTS



ELEMENT NUMBER	PIECE NUMBER	QUANTITY
1	FR-10MC HI	1
2	10MC700ND-MCB	1
3	TD164P	1
4	CD171Fe-PT & PK	1
5	FR-10MC HI DAMPING MATERIAL	1
6	SCREW DIN 912 M5x20	16
7	NUT DIN1624 - M5	16

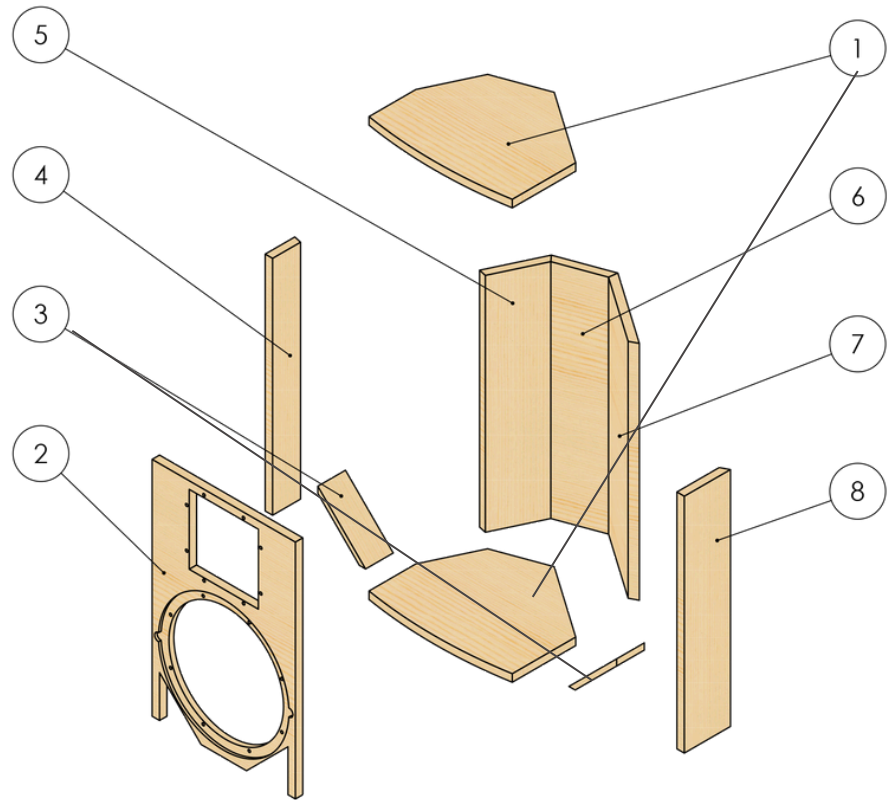
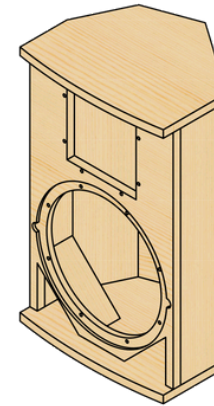


GENERAL VIEW





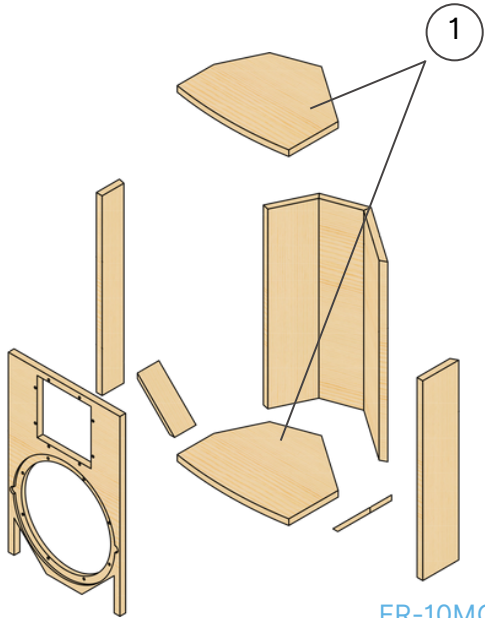
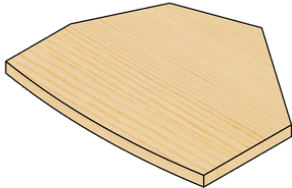
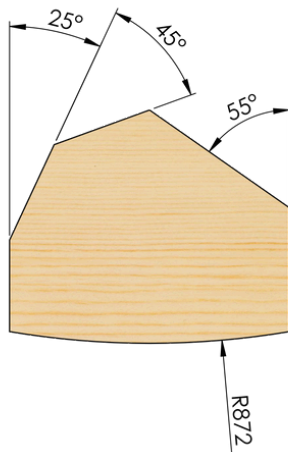
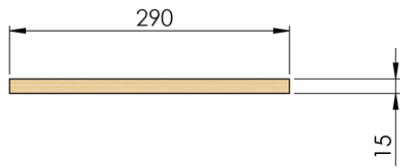
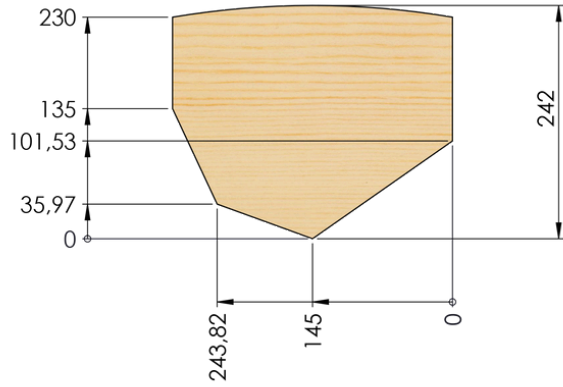
EXPLODED VIEW



ELEMENT NUMBER	PIECE NUMBER	QUANTITY
1	TOP & BOTTOM PARTS	2
2	FRONT PANEL	1
3	REFLEX	2
4	SIDE_1	1
5	SIDE_2	1
6	SIDE_3	1
7	SIDE_4	1
8	SIDE_5	1

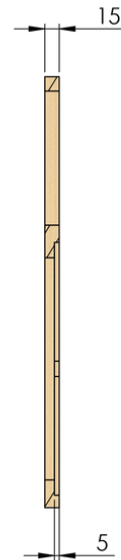
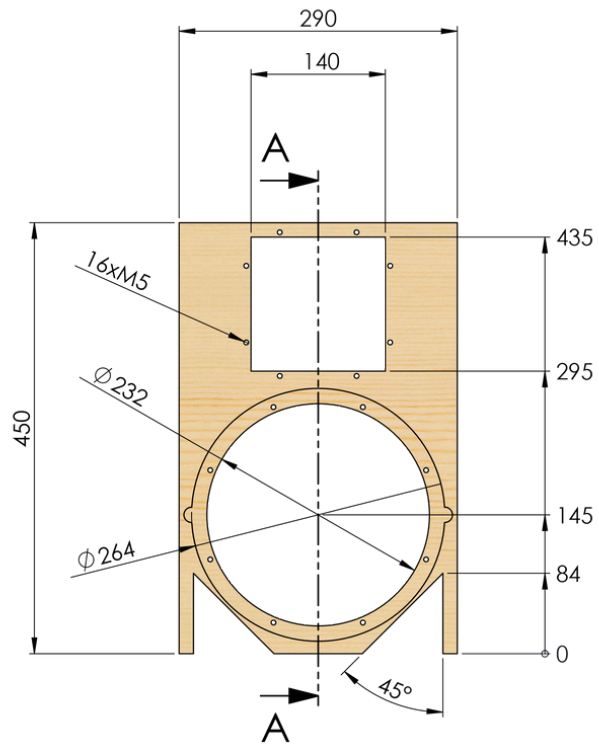


TOP & BOTTOM PARTS

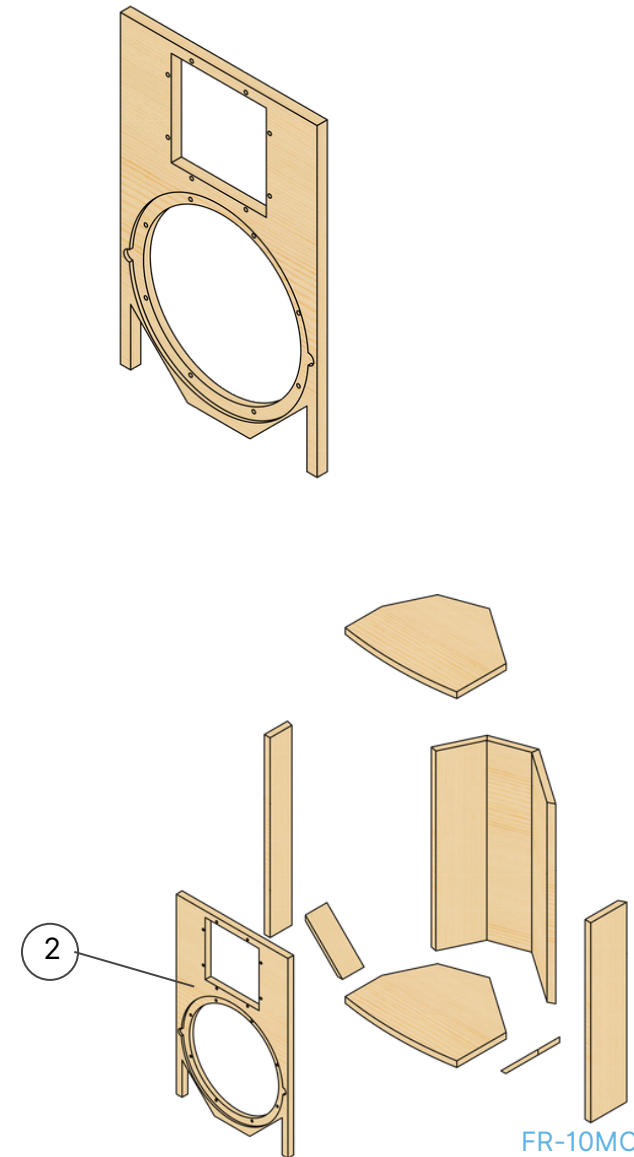




FRONT PANEL



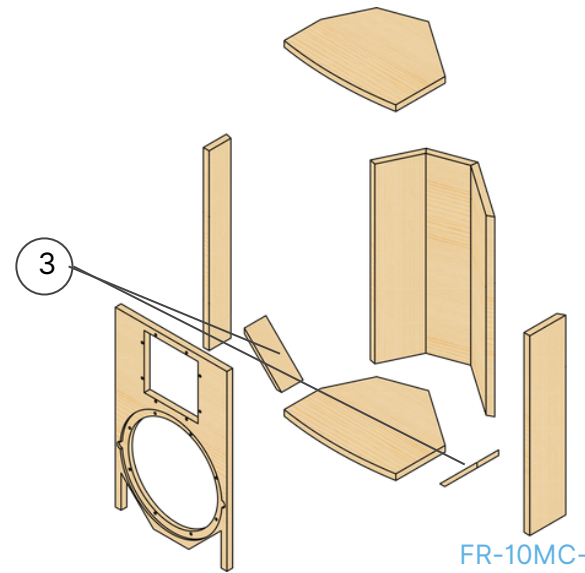
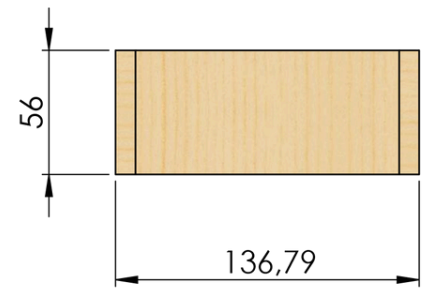
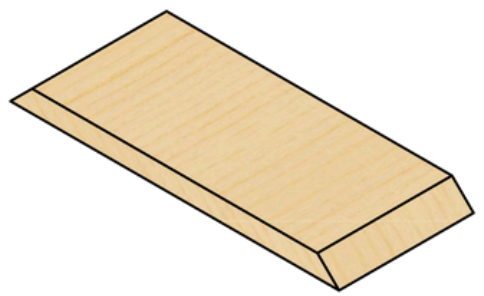
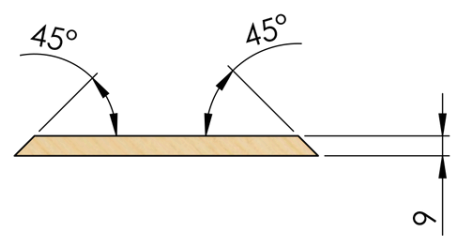
SECTION A-A



FR-10MC-HI



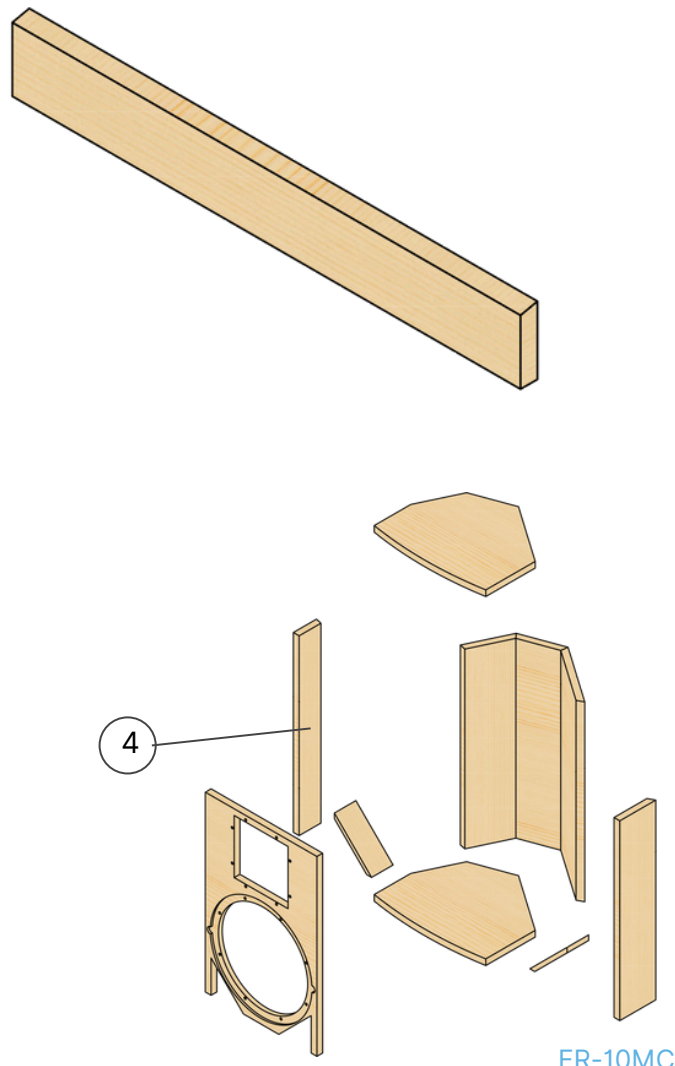
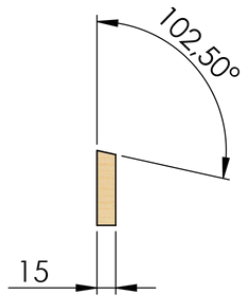
REFLEX



FR-10MC-HI

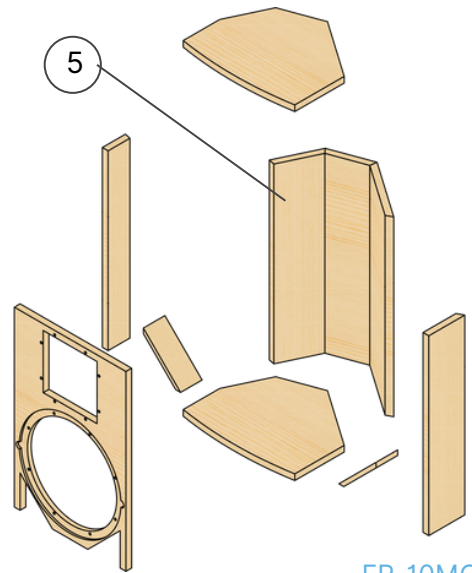
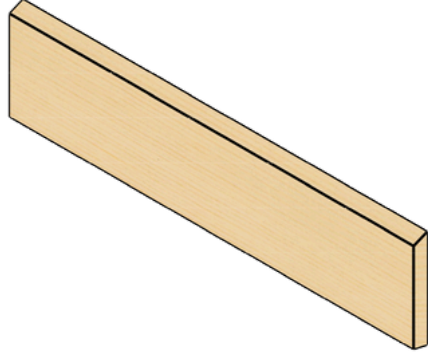
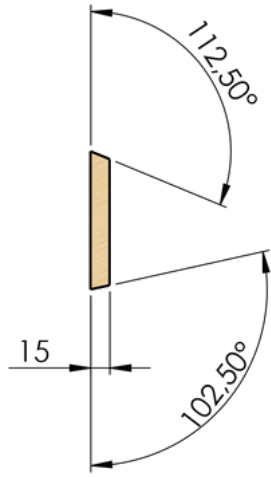


SIDE 1



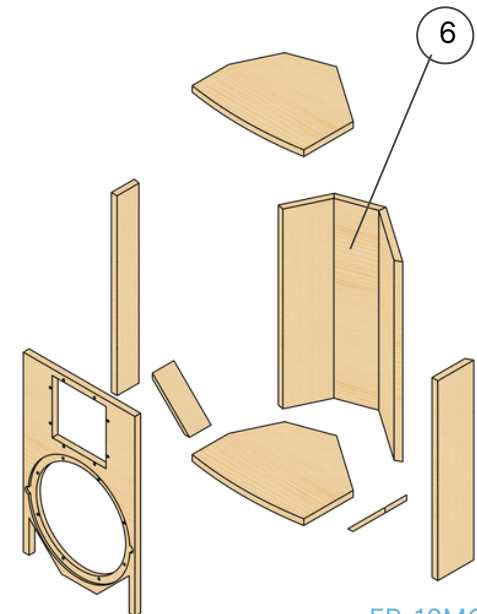
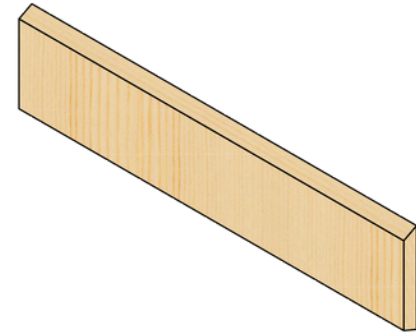
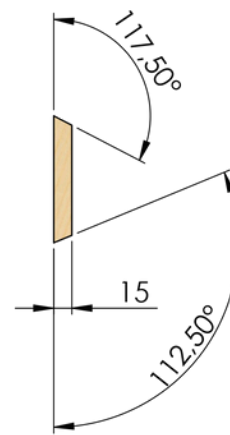
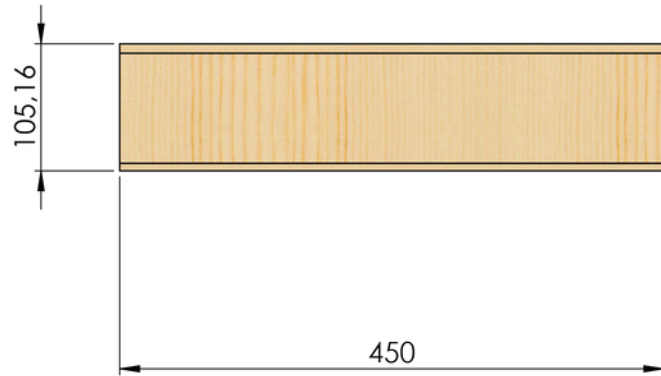


SIDE 2



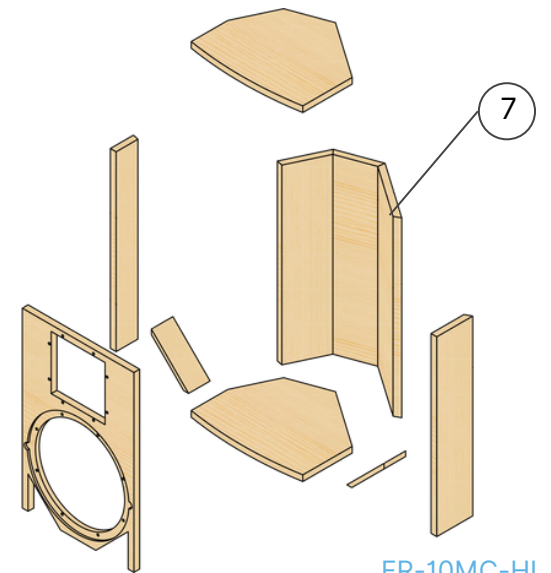
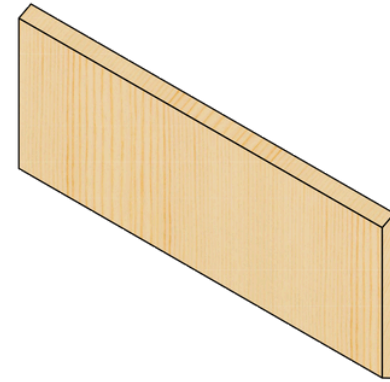
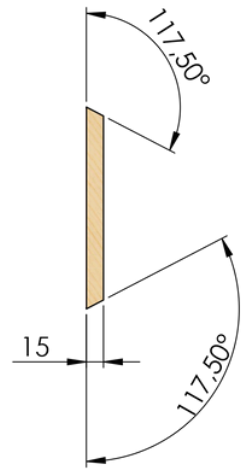


SIDE 3





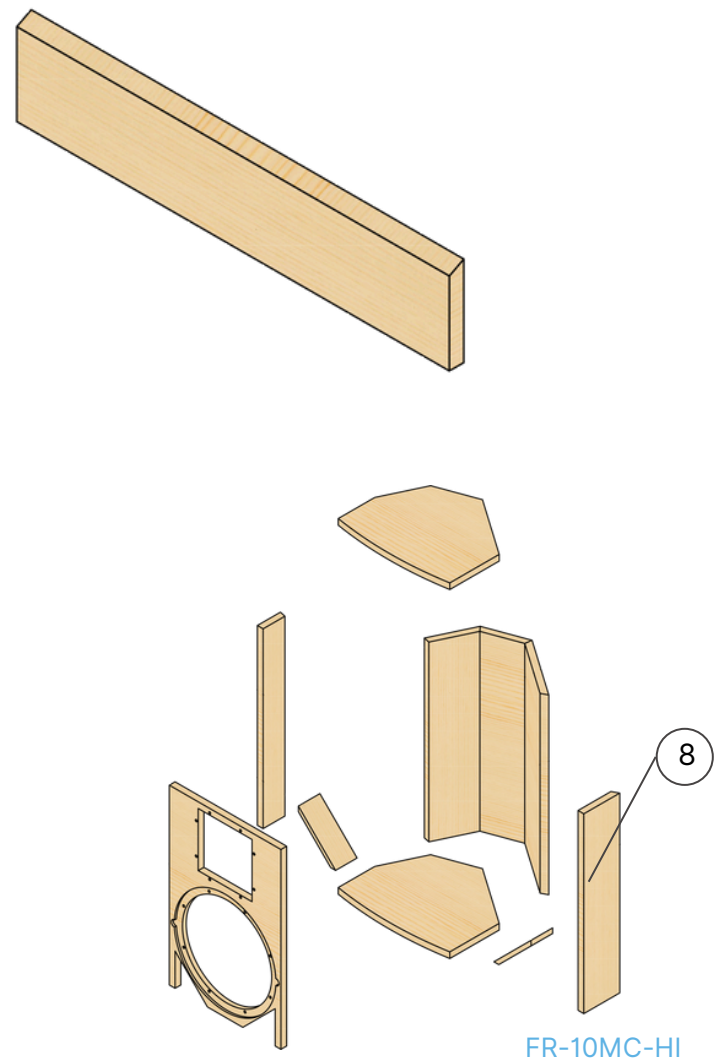
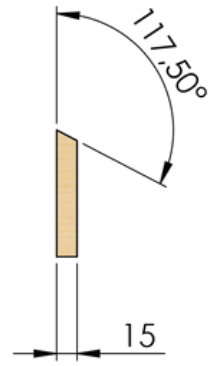
SIDE 4



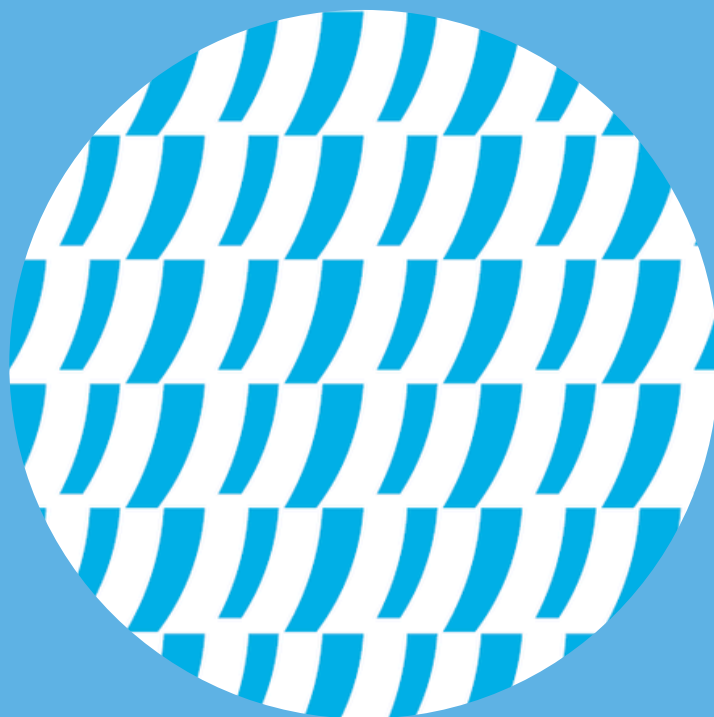
FR-10MC-HI



SIDE 5



FR-10MC-HI



LET'S TALK

www.beyma.com