

# FR-8MC HI

FULL RANGE 2 WAY SYSTEM 8"

8MC500Nd

CD151Fe

TD-164P



ENCLOSURE RECOMMENDED DESIGN

[www.beyma.com](http://www.beyma.com)

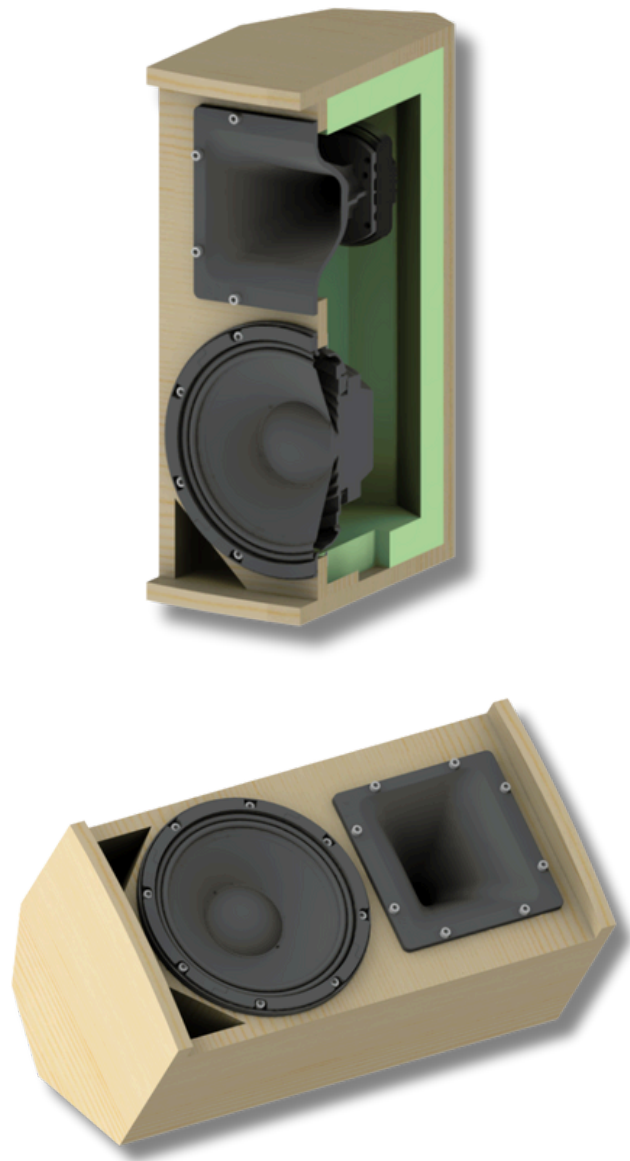


# TECHNICAL SPECIFICATIONS

Frequency response (+/-3dB)	70Hz-20KHz
Usable bandwidth (-10dB)	46Hz-22KHz
Maximum SPL(*)	126dB
Sensitivity 1W@1m	93dB
HxV Coverage angle (-6dB)	60°x40° rotatable
Transducers LF	8MC500ND
Transducers HF	CD151Fe
AES Power Handling	500W
Nominal impedance	8Ω
Connectors	2xNL4
Box dimmensions (**)	232 x 442 x 270.26 (Birch Plywood 15/9mm)

(\*) Peak level at 1m under free field conditions usin pink noise with 6dB crest factor

(\*\*) All dimmensions in millimeters



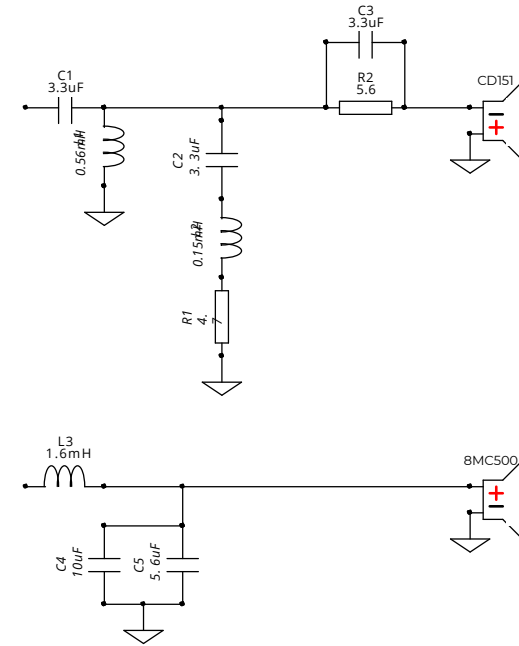


# PRESSETS

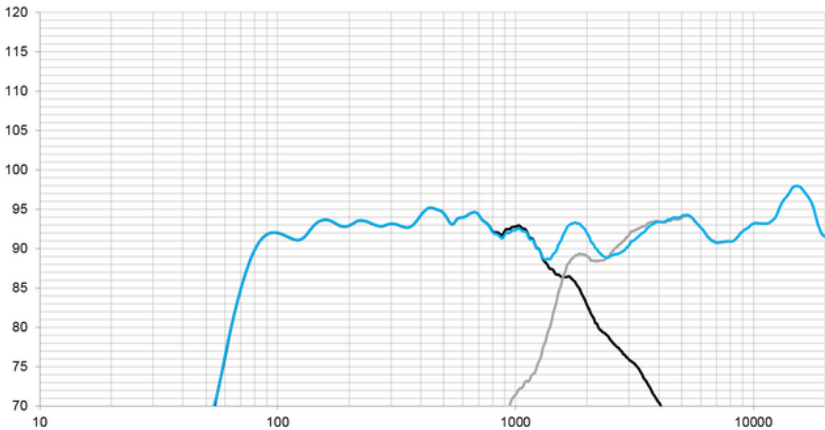
FR-8MC HI	f(Hz)	Q	Gain(dB)
-	135	1,3	6,1
-	1500	0,4	-3,5
-	7000	2,6	3
LIMITER	Thres (dBu)	Attack (ms)	Release (ms)
PEAK	9,2	8	128

\* for 32dB gain amplifier  
\* frequency response graph CD151Fe/PK with TD164P horn

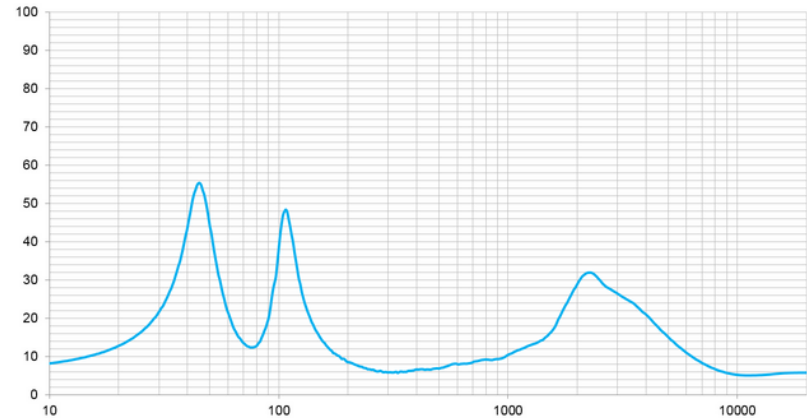
# PASSIVE CROSSOVER DESIGN



# FREQUENCY RESPONSE



# IMPEDANCE



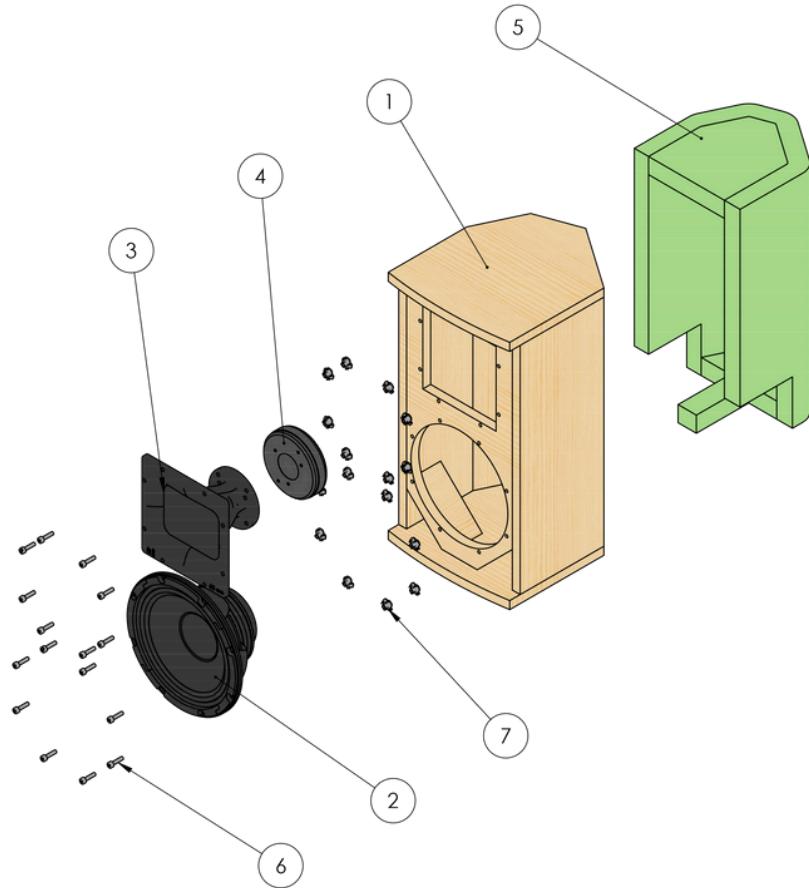


# GENERAL VIEW WITH COMPONENTS





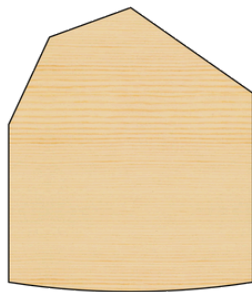
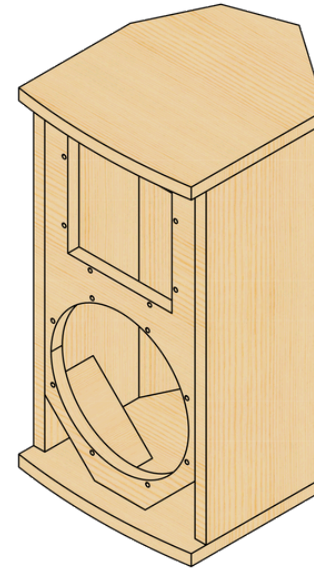
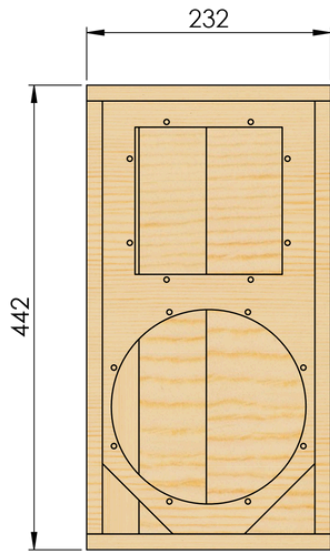
# EXPLODED VIEW WITH COMPONENTS



ELEMENT NUMBER	PIECE NUMBER	QUANTITY
1	FR-8MC HI	1
2	8MC500Nd	1
3	TD164P	1
4	CD151Fe	1
5	DAMPING MATERIAL	1
6	SCREW DIN 912 M5x20	16
7	NUT DIN1624 - M5	16

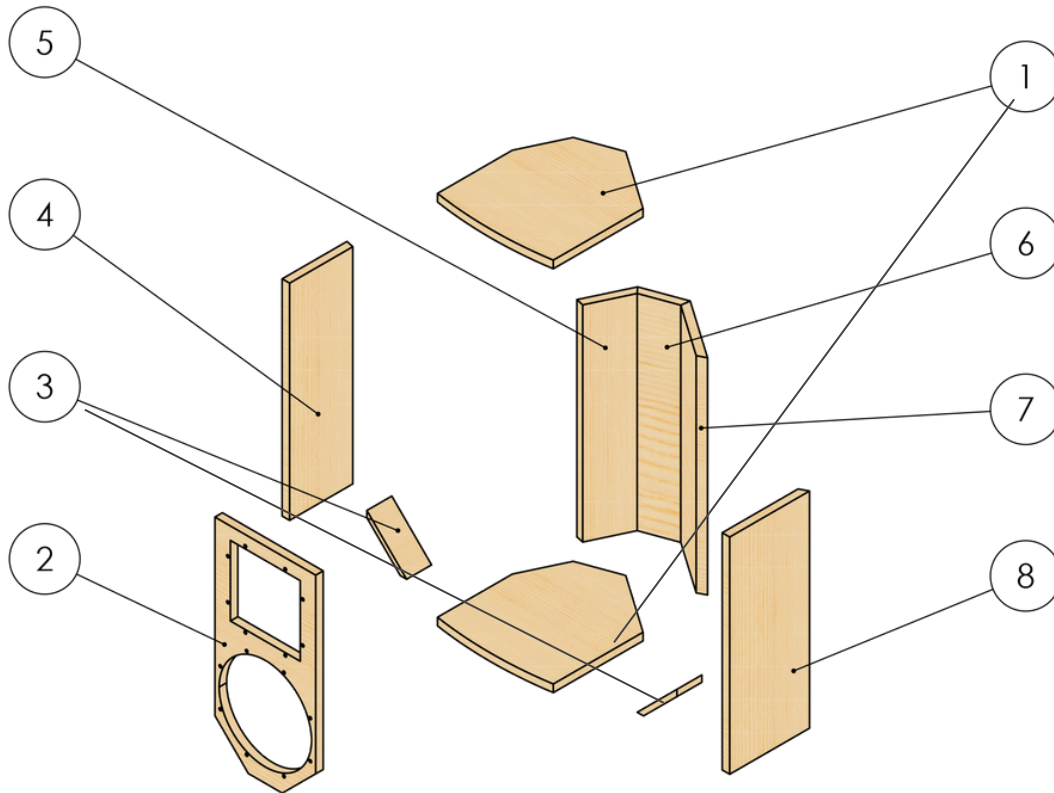
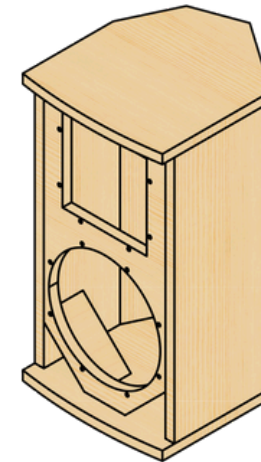


# GENERAL VIEW





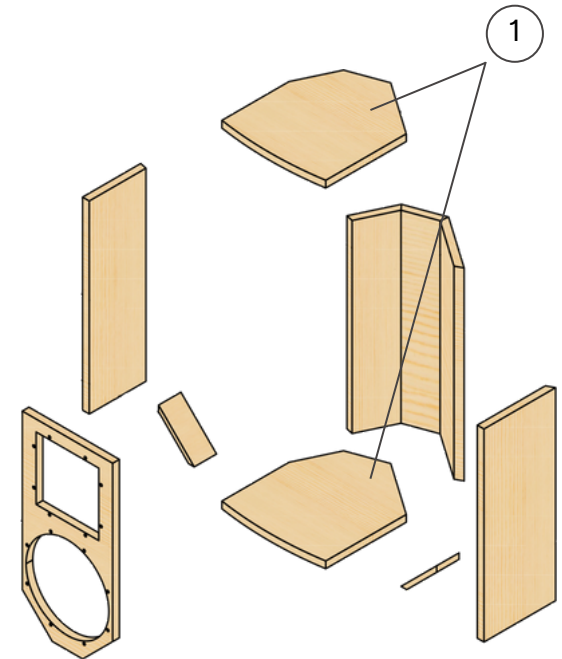
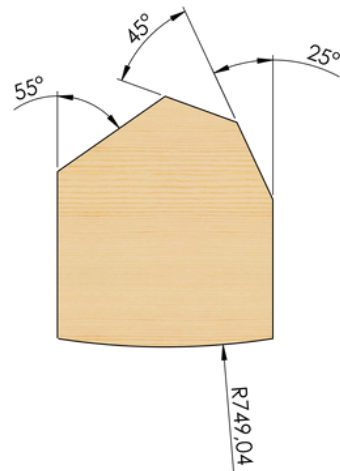
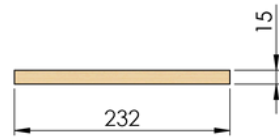
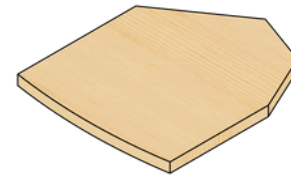
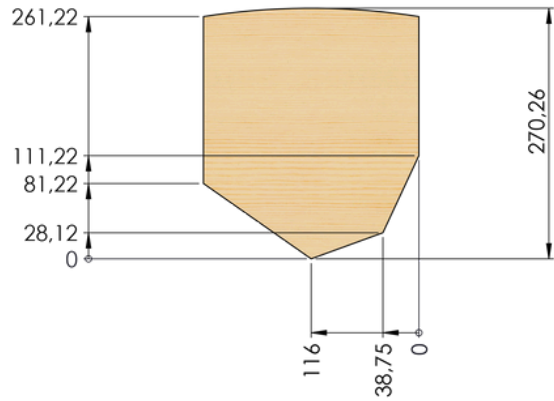
# EXPLODED VIEW



ELEMENT NUMBER	PIECE NUMBER	QUANTITY
1	TOP & BOTTOM PARTS	2
2	FRONT PANEL	1
3	REFLEX	2
4	SIDE_1	1
5	SIDE_2	1
6	SIDE_3	1
7	SIDE_4	1
8	SIDE_5	1



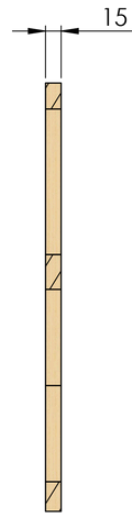
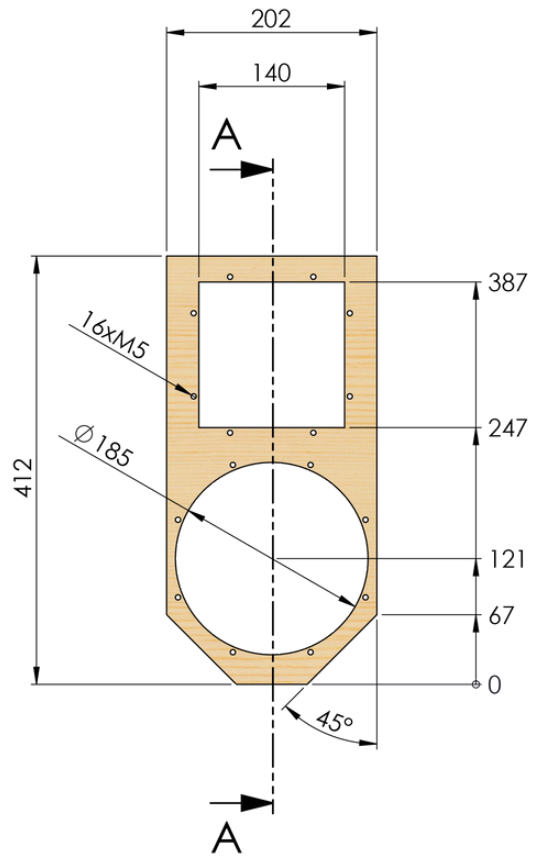
# TOP & BOTTOM PARTS



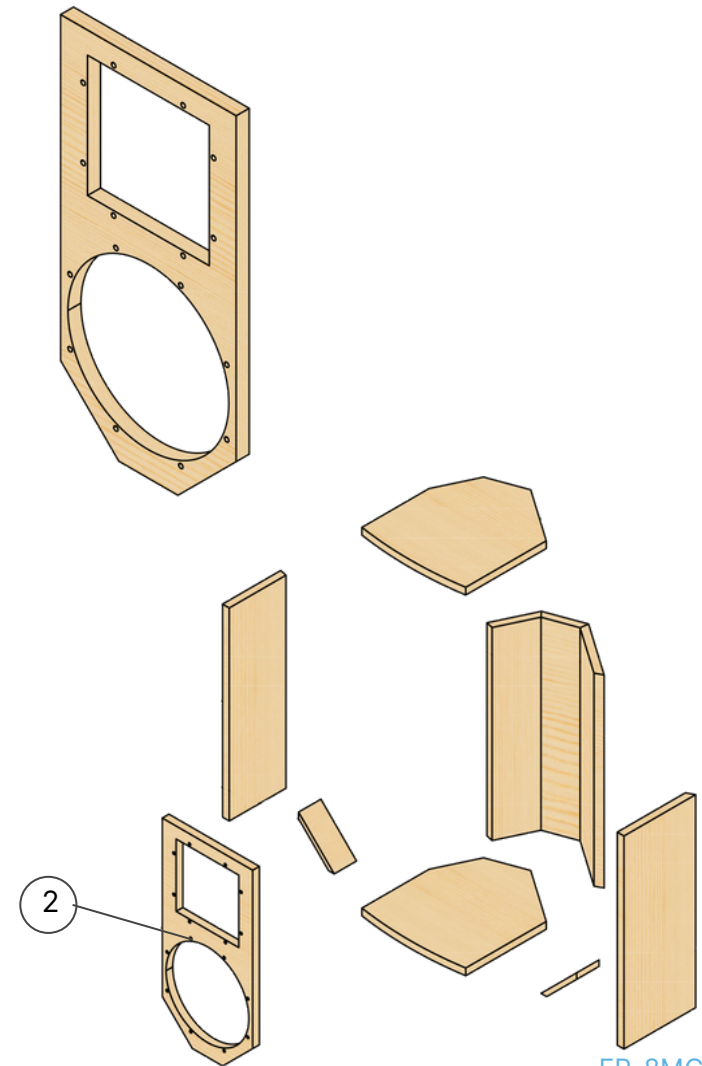




# FRONT PANEL



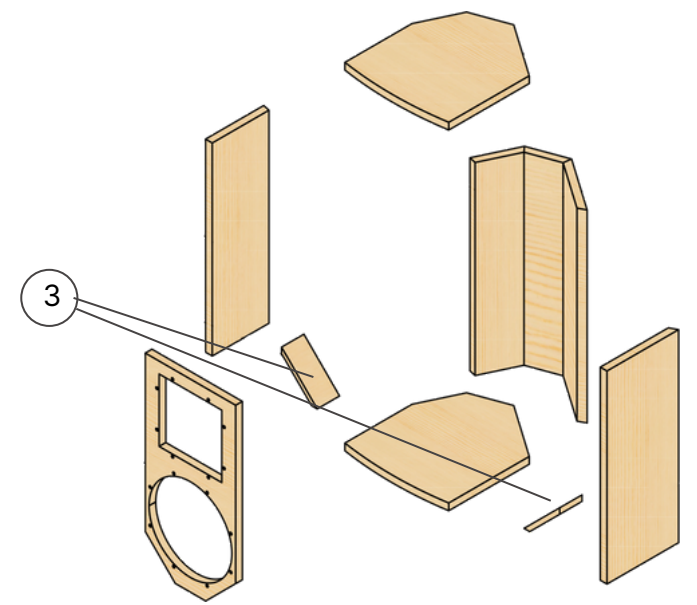
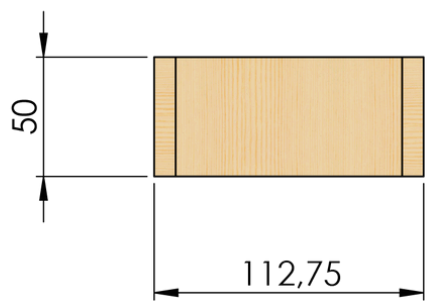
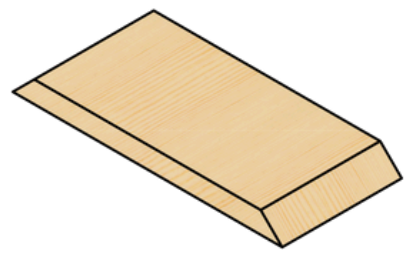
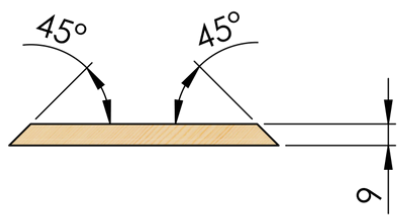
SECTION A-A



FR-8MC HI

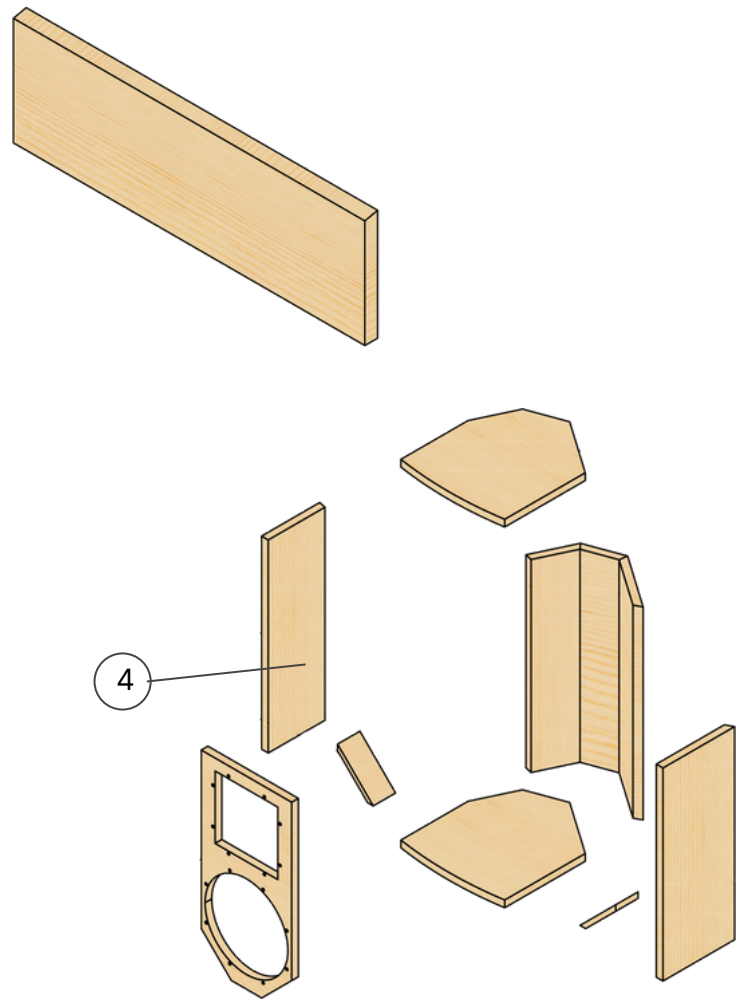
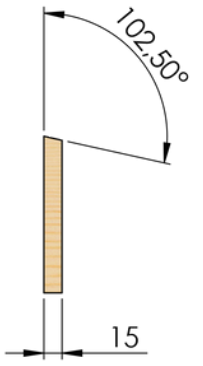


# REFLEX



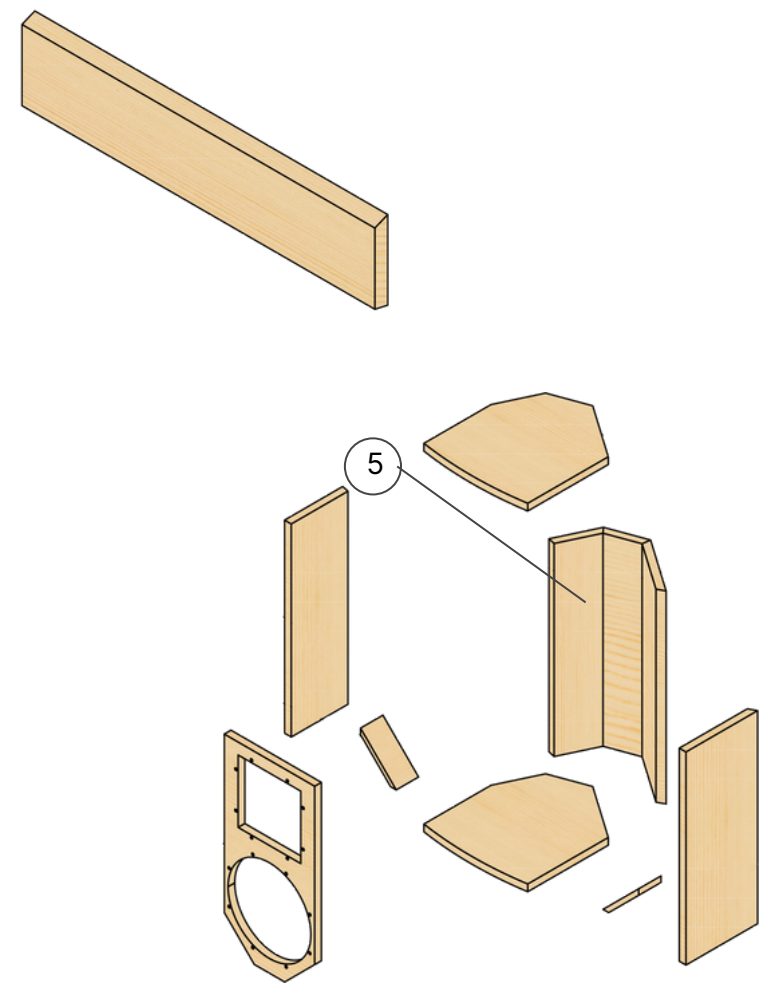
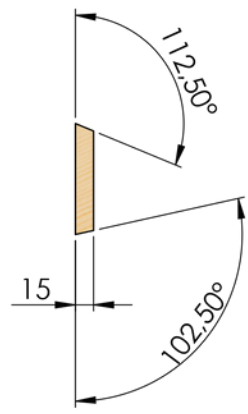


SIDE 1



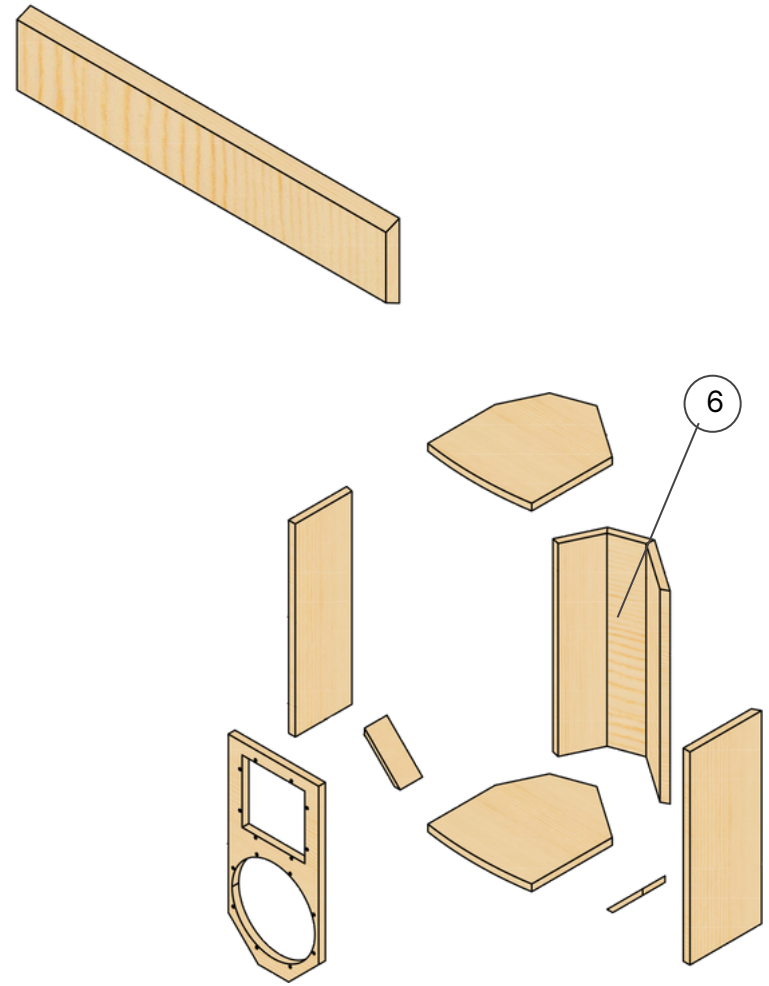
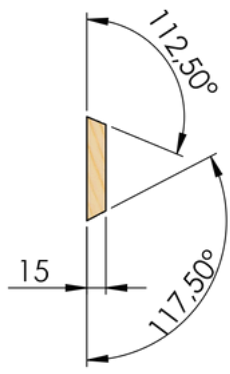
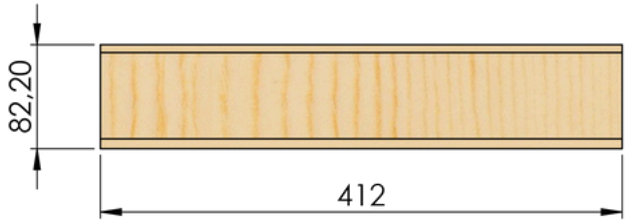


SIDE 2



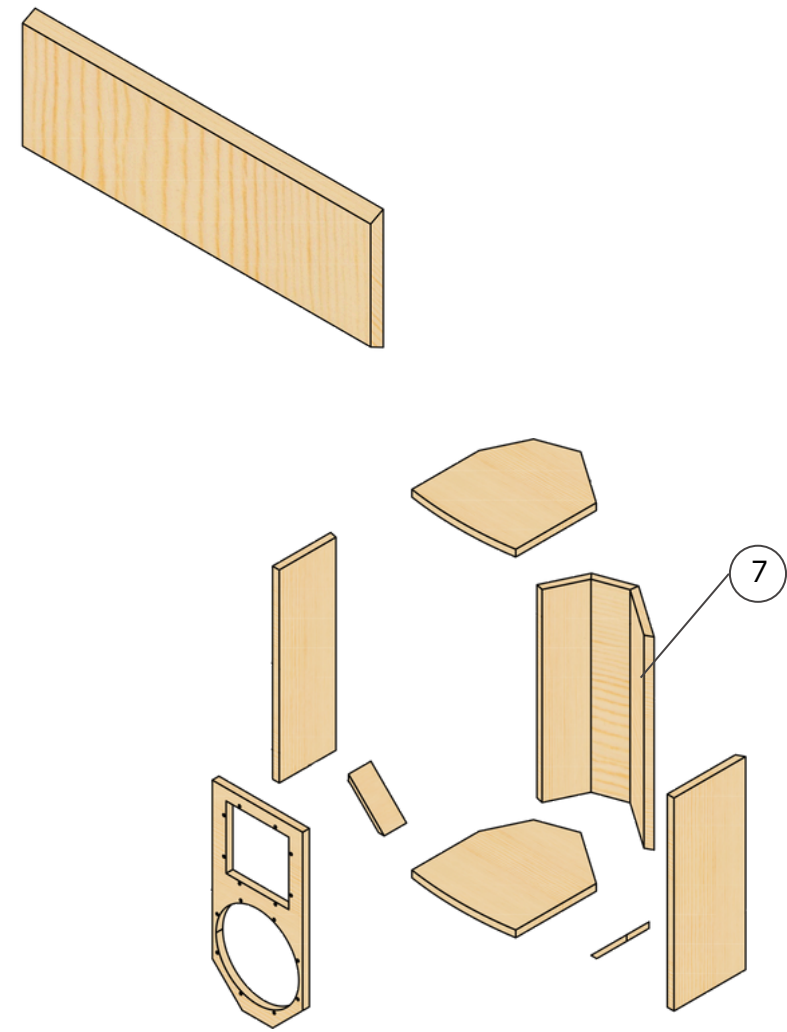
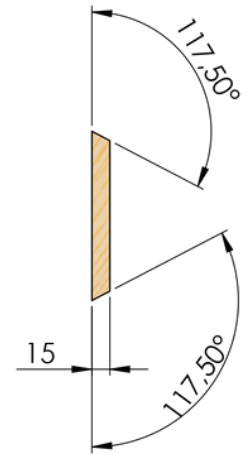
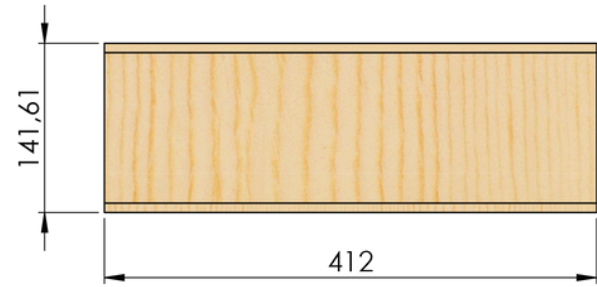


SIDE 3



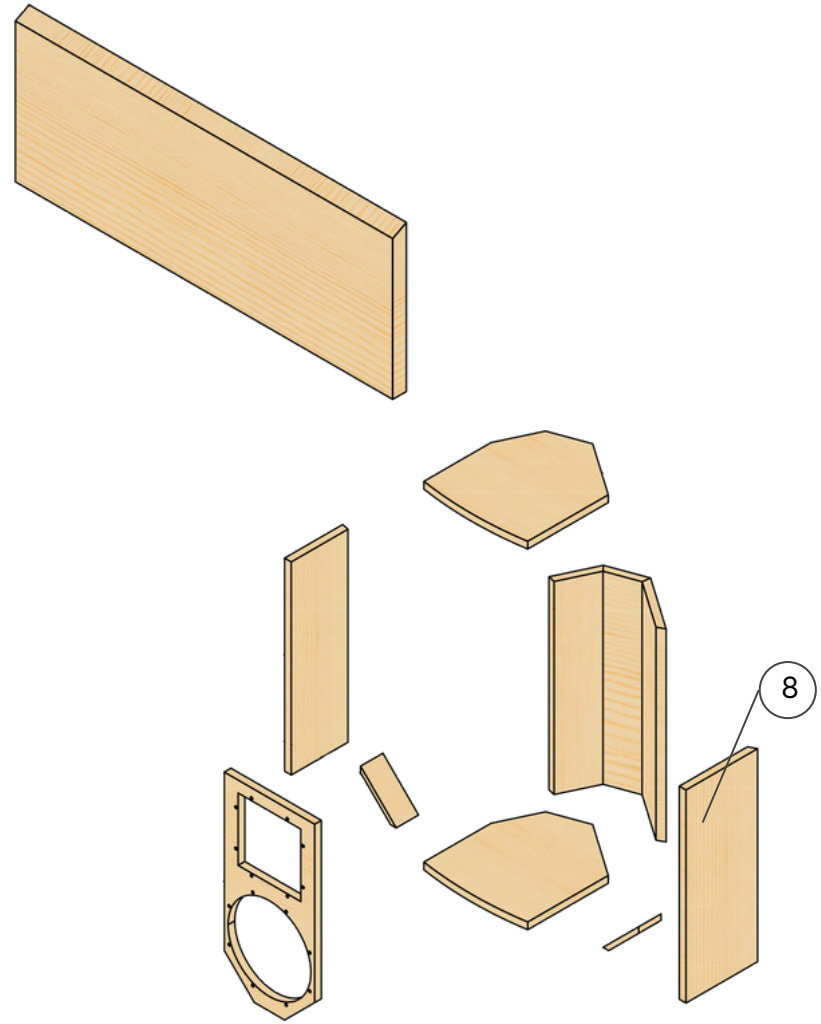
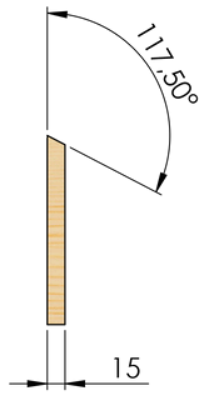


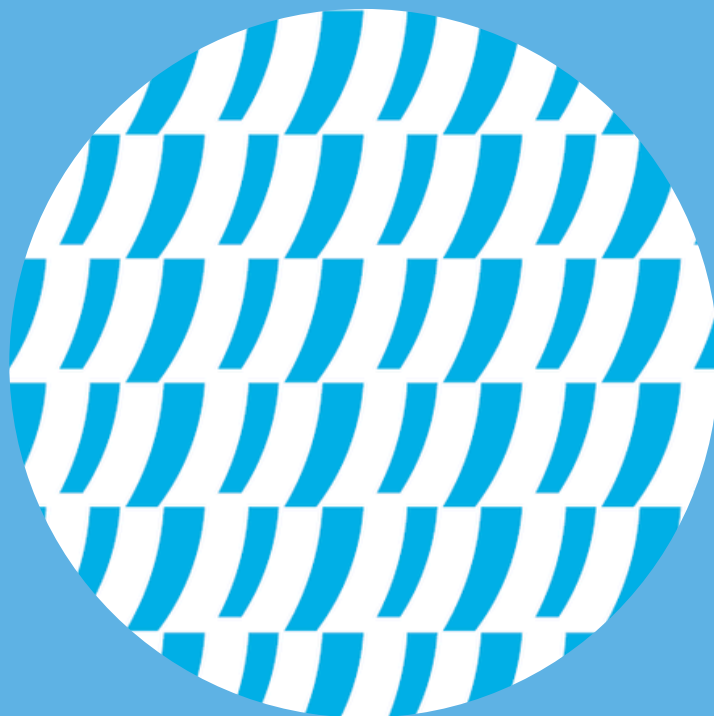
SIDE 4





SIDE 5





LET'S TALK

[www.beyma.com](http://www.beyma.com)