

beyma



S-15LEX1000
SINGLE 15LEX1000 DIRECT
RADIATION VENTED SUBWOOFER



TECHNICAL SPECIFICATIONS

Frequency response (± 3 dB)	43 Hz - 180 Hz
Usable bandwidth (-10 dB)	35 Hz - 1.80 kHz
Maximum SPL (*)	133 dB
Sensitivity 1W@1m	97 dB
Transducer:	15LEX1000Nd & 15LEX1000FE
AES power handling:	1000 W
Nominal impedance:	8 Ω
Connectors:	2 x NL4
Box Dimensions: (**)	487 x 476 x 604 (Birch Plywood 18mm)

(*) Peak level at 1 m under free field conditions using pink noise with 2 crest factor (6 dB).
(**) All dimensions in this files are in millimeters.

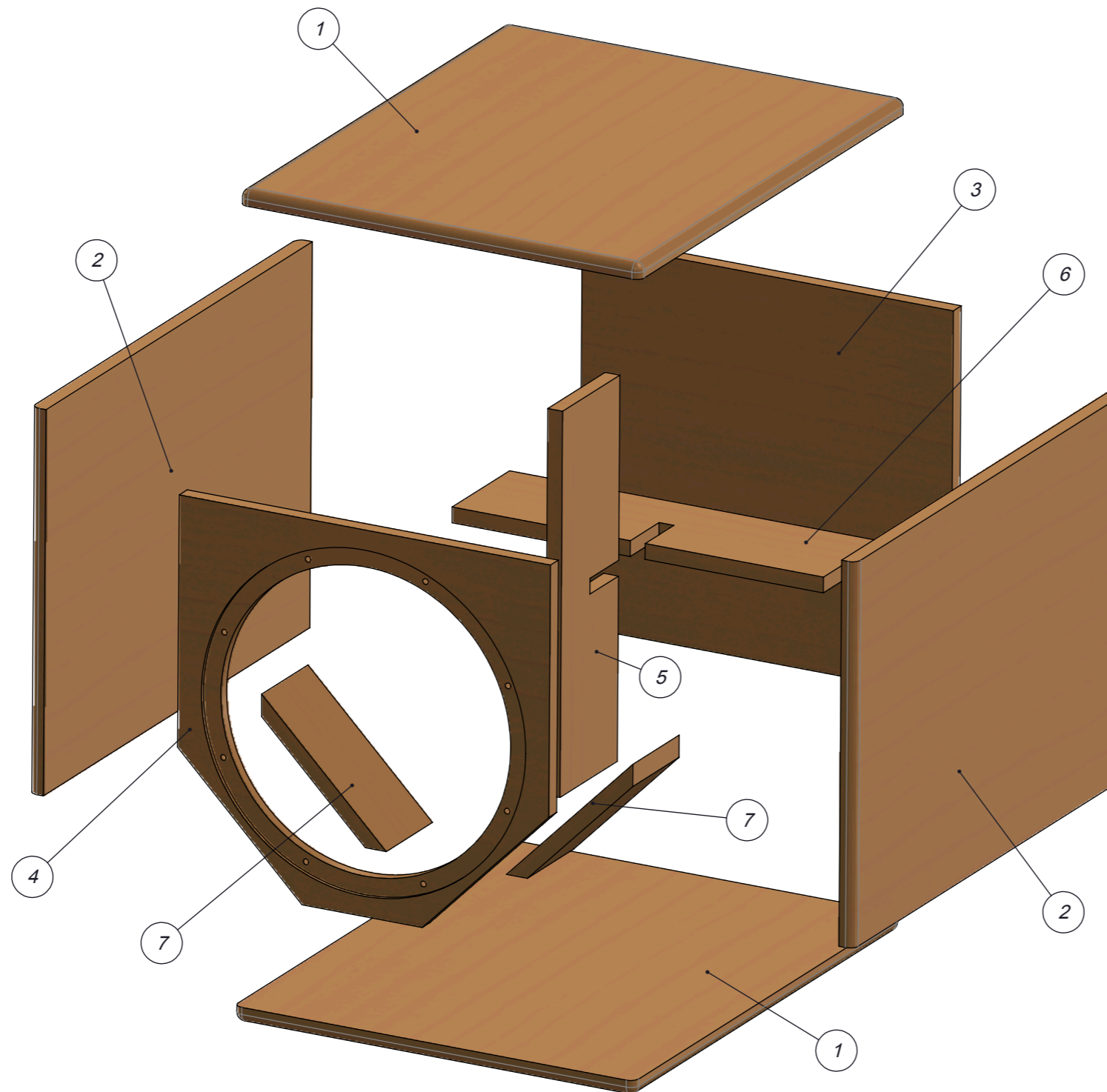


PRESETS

S-15LEX	f (Hz)	Shape	Order
HPF	28	BW	48 dB/octv
LPF	96	BW	24 dB/octv
EQ	f (Hz)	Q	Gain
1	85	5	+2.5
2	140	8.4	-3
LIMITER (*)	Threshold	Attack	Release
	11 dBu	35 ms	390 ms

*for 32 dB Gain amplifier

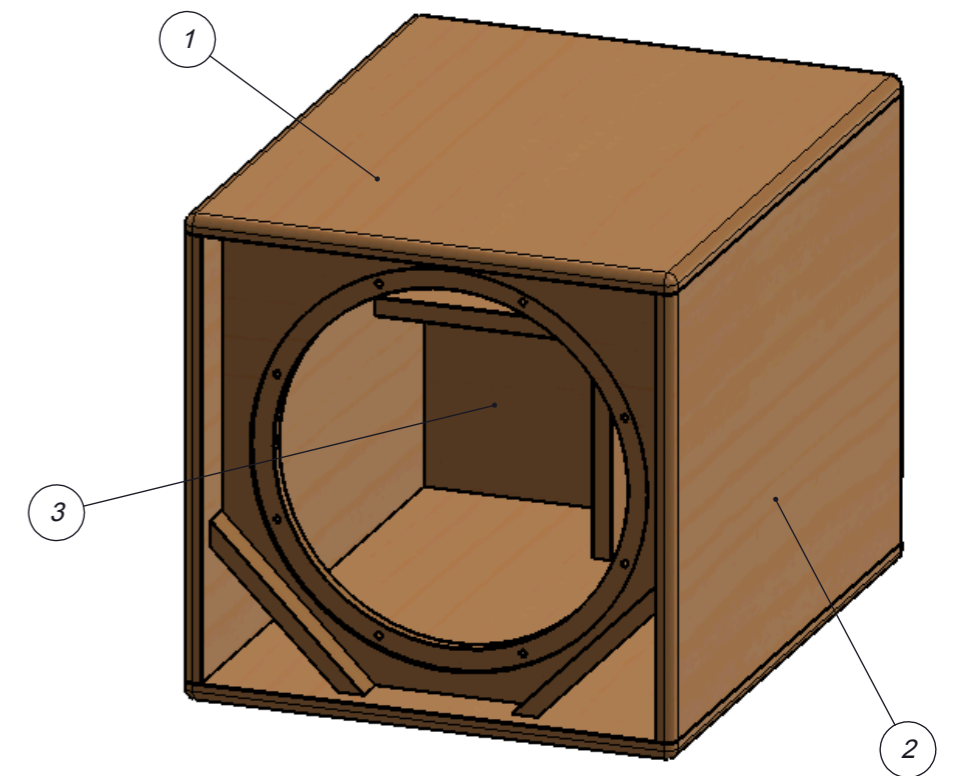
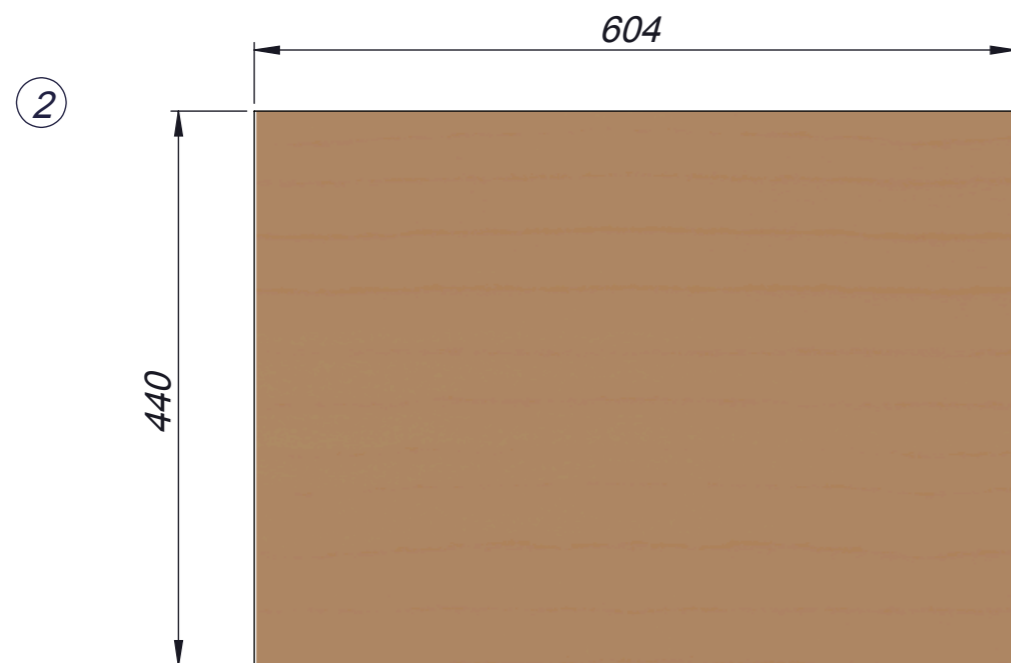
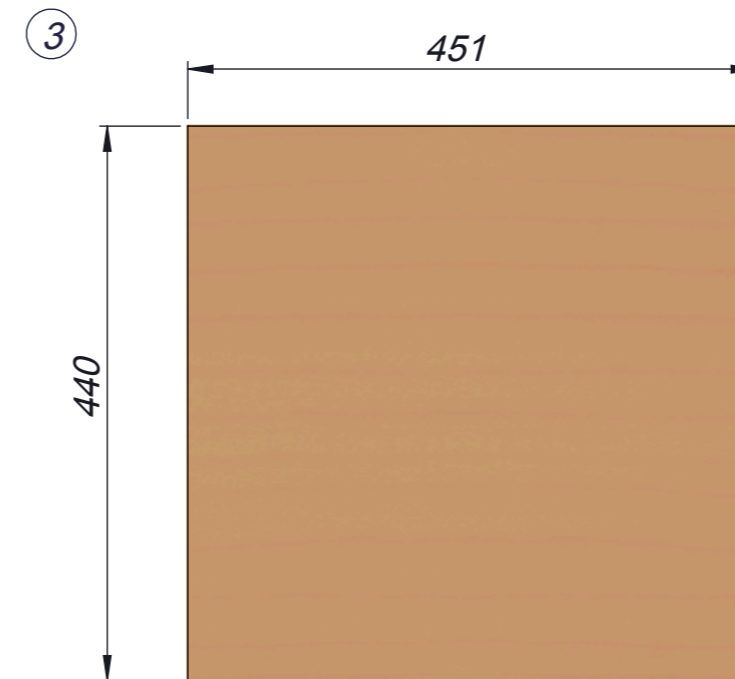
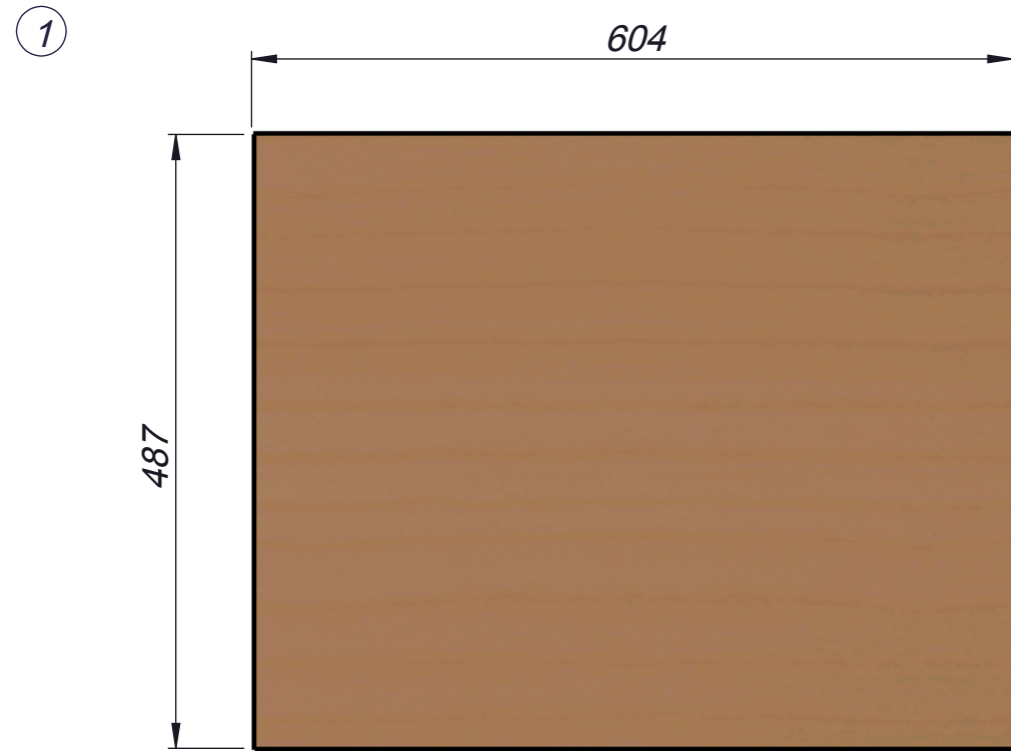
EXPLODED VIEW



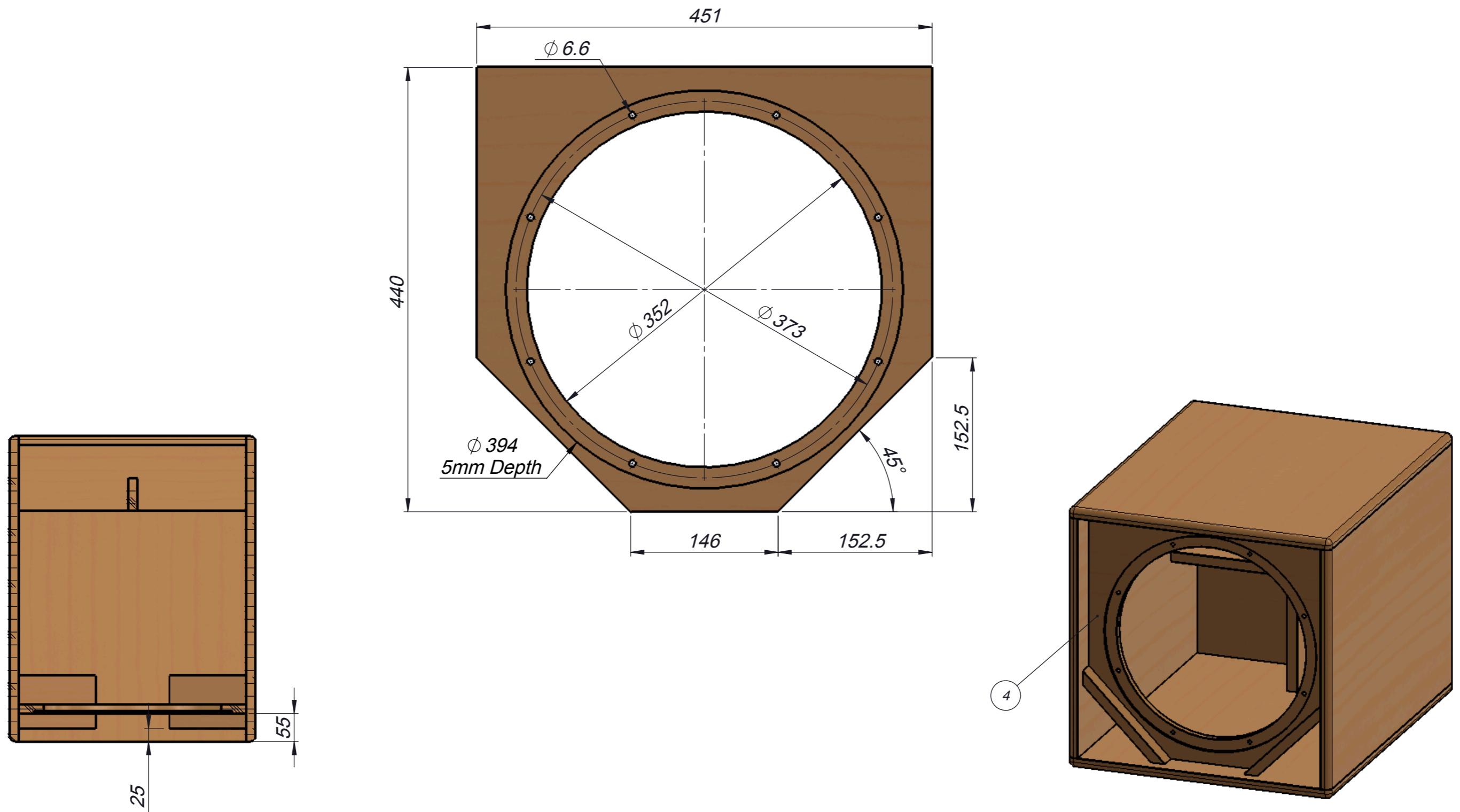
PARTS LIST

ITEM N.º	PARTS DIMENSIONS	QTY.
1	604 x 487 x 18	2
2	604 x 440 x 18	2
3	451 x 440 x 18	1
4	451 x 440 x 18	1
5	440 x 130 x 18	1
6	451 x 131 x 18	1
7	215.7 x 105 x 18	2

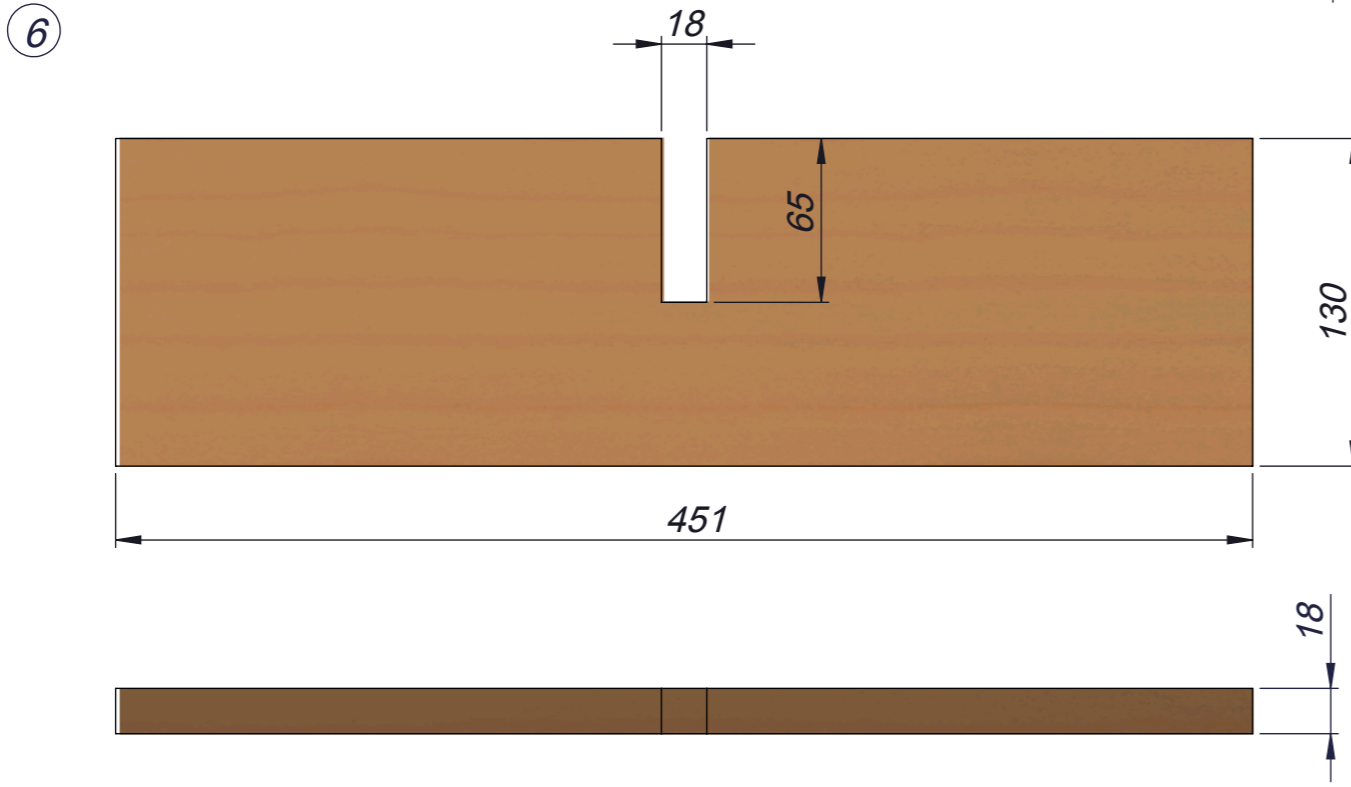
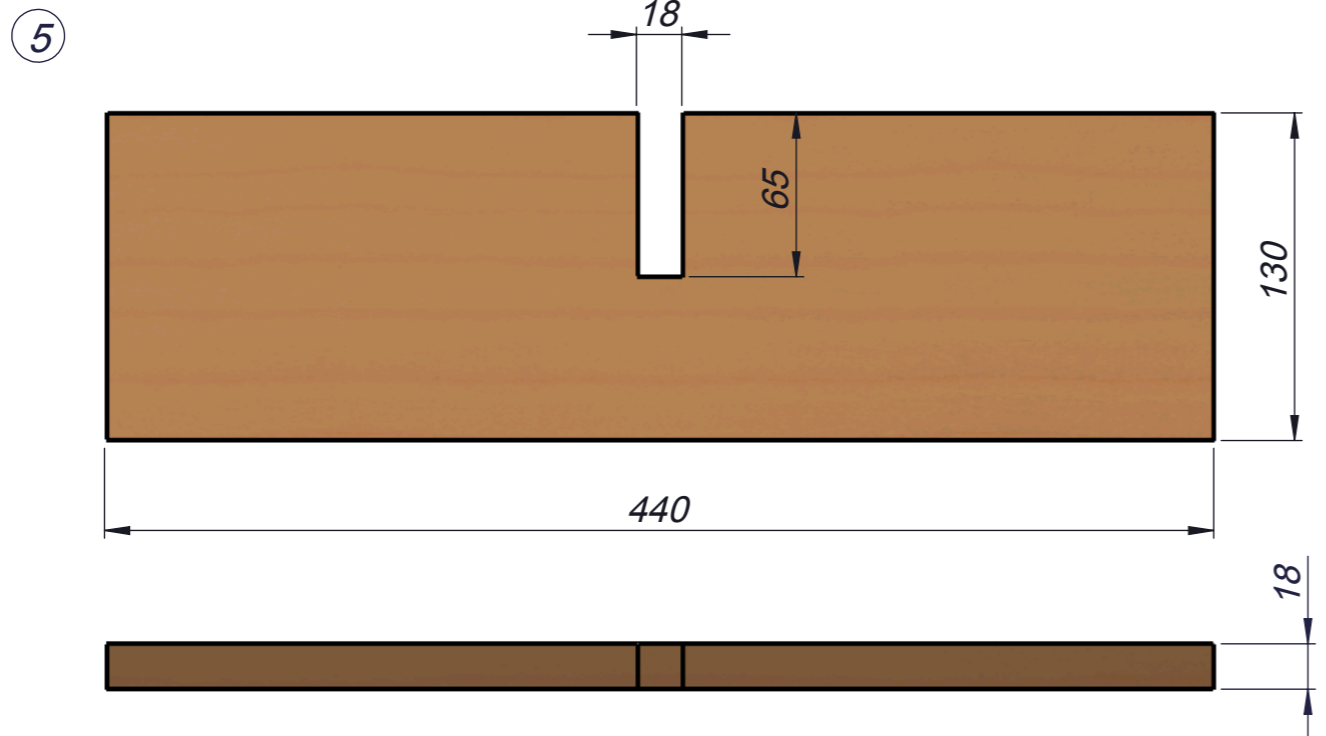
SIDES



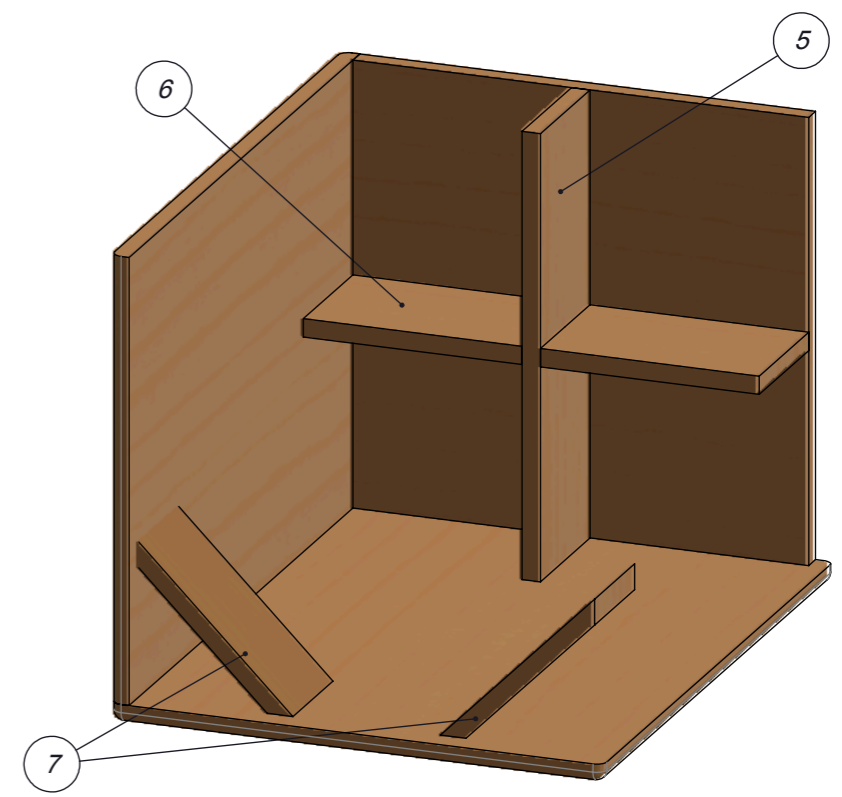
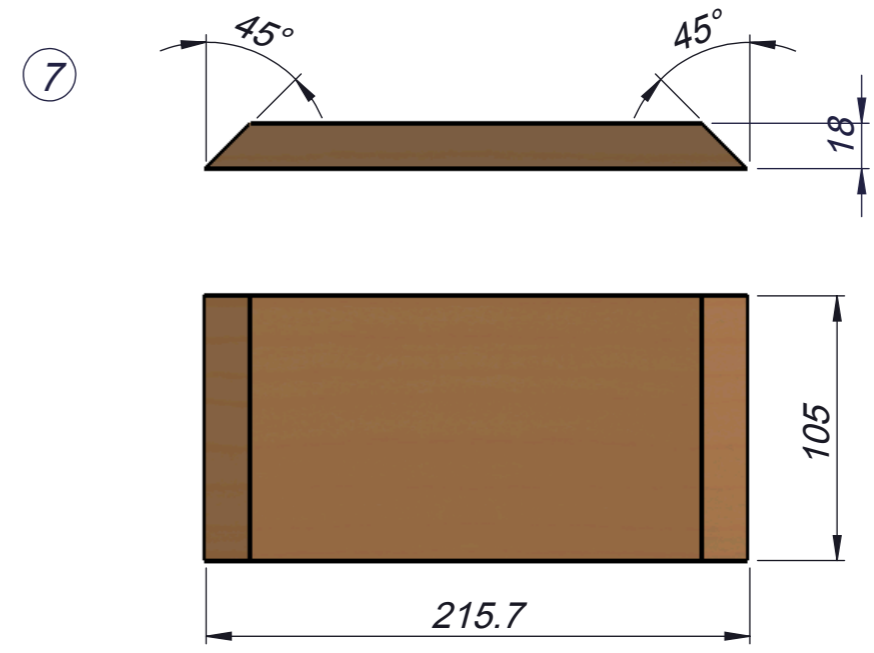
FRONT PANEL



INNER REINFORCEMENT



VENT



beyma  **S-SERIES**

DIRECT RADIATION VENTED SUBWOOFERS

