

beyma



S-15LEX1600
SINGLE 15LEX1600 DIRECT
RADIATION VENTED SUBWOOFER



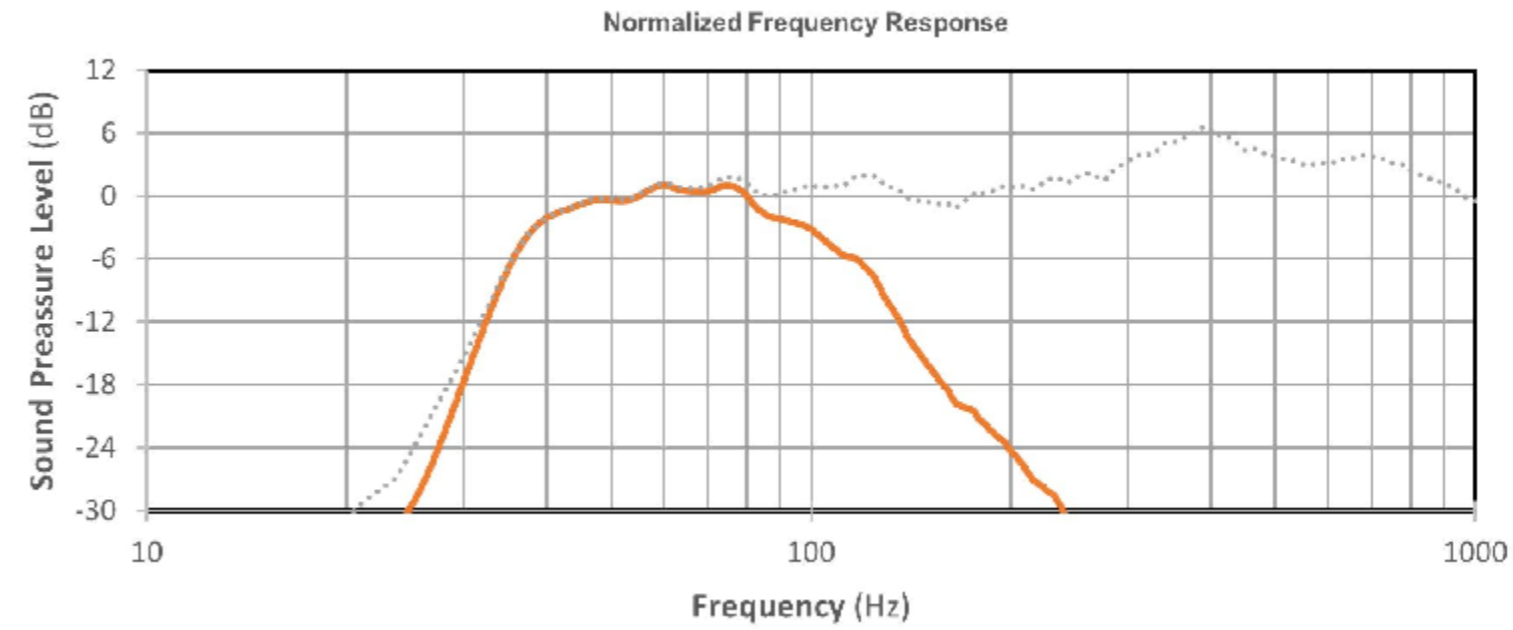
TECHNICAL SPECIFICATIONS

| | |
|---|--------------------------------------|
| Frequency response (± 3 dB) | 41 Hz - 180 Hz |
| Usable bandwidth (-10 dB) | 33 Hz - 1.80 kHz |
| Maximum SPL (*) | 134 dB |
| Sensitivity 1W@1m | 96 dB |
| Transducer: | 15LEX1600Nd & 15LEX1600Fe |
| AES power handling: | 1600 W |
| Nominal impedance: | 8 Ω |
| Connectors: | 2 x NL4 |
| Box Dimensions: (**) | 487 x 476 x 604 (Birch Plywood 18mm) |

(*) Peak level at 1 m under free field conditions using pink noise with 2 crest factor (6 dB).
 (**) All dimensions in this files are in millimeters.



FREQUENCY RESPONSE

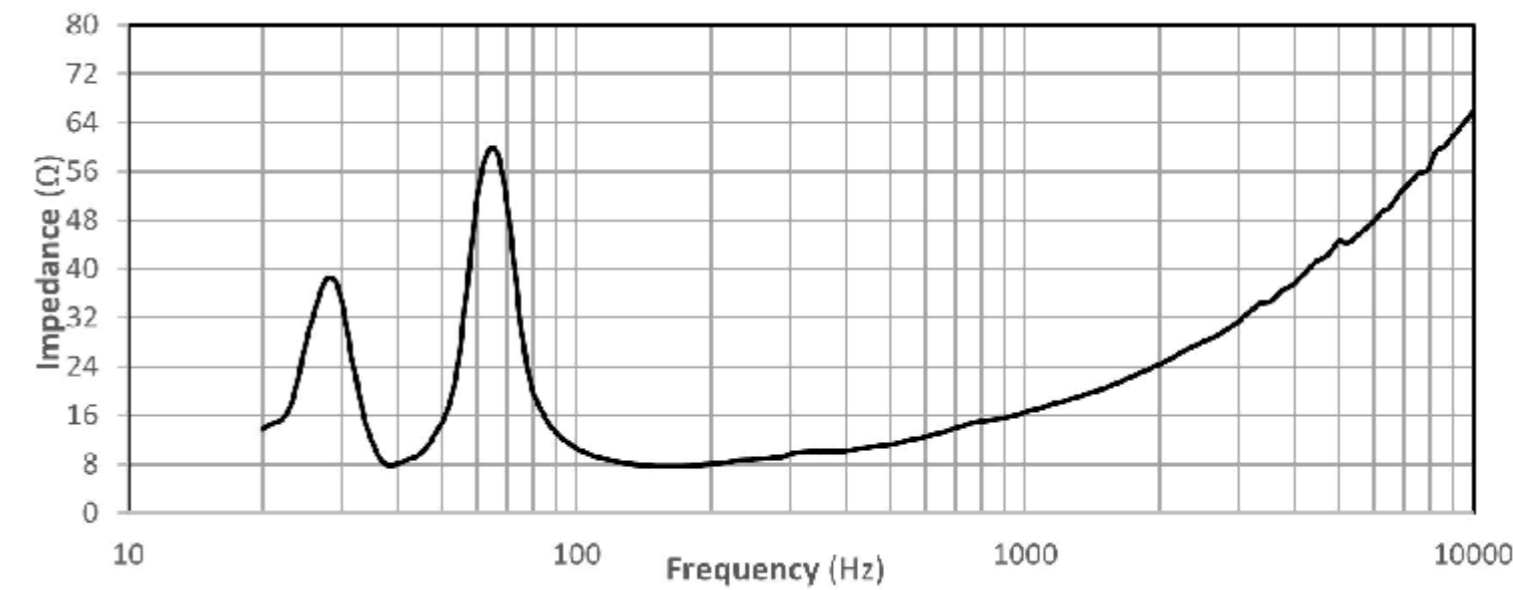


PRESETS

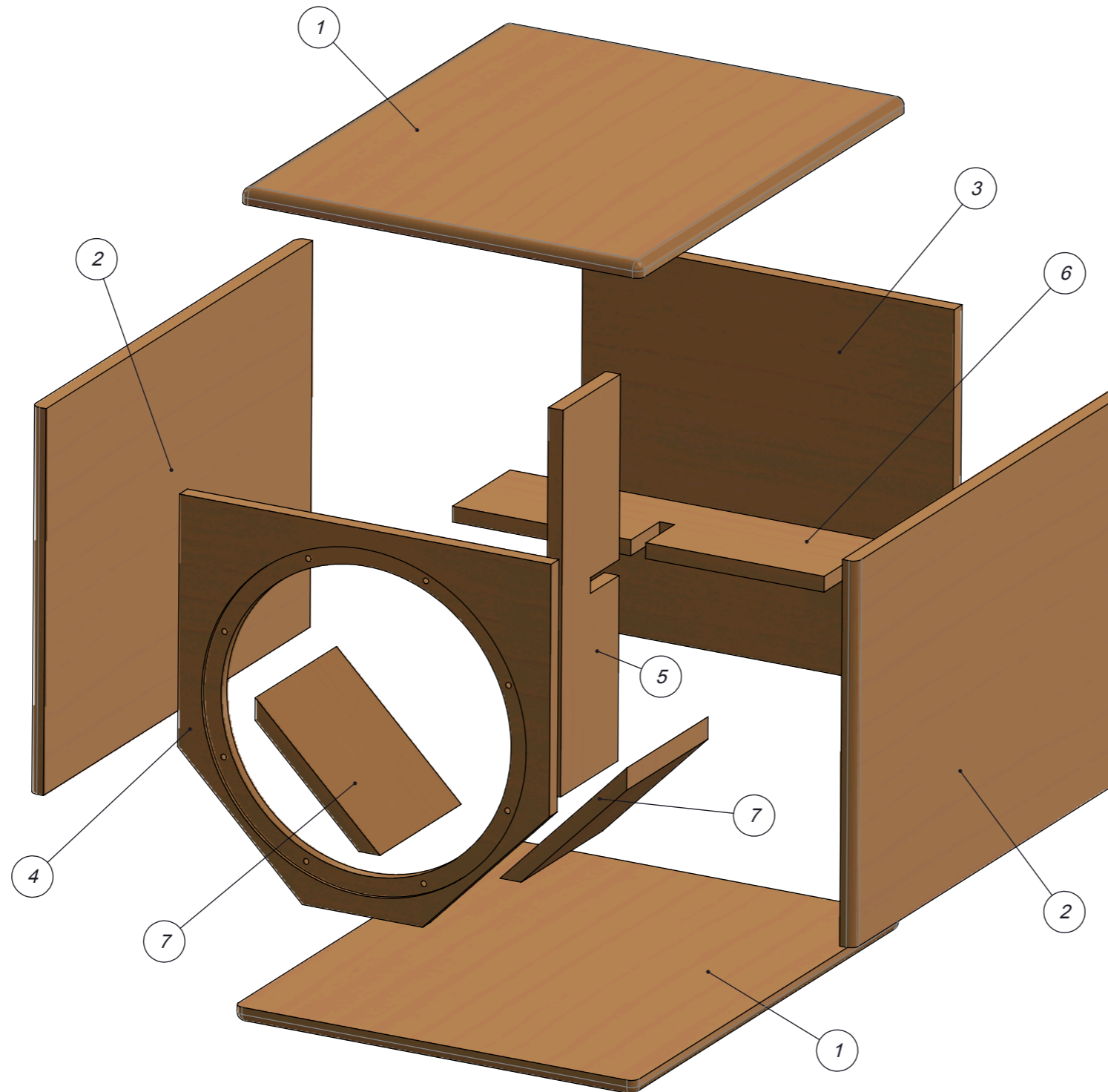
| S-15LEX | f (Hz) | Shape | Order |
|-------------|-----------|--------|-----------------------------------|
| HPF | 28 | BW | 48 ^{dB/} _{octv} |
| LPF | 96 | BW | 24 ^{dB/} _{octv} |
| EQ | f (Hz) | Q | Gain |
| 1 | 85 | 5 | +2.5 |
| 2 | 140 | 8.4 | -3 |
| LIMITER (*) | Threshold | Attack | Release |
| | 11 dBu | 35 ms | 390 ms |

**for 32 dB Gain amplifier*

IMPEDANCE



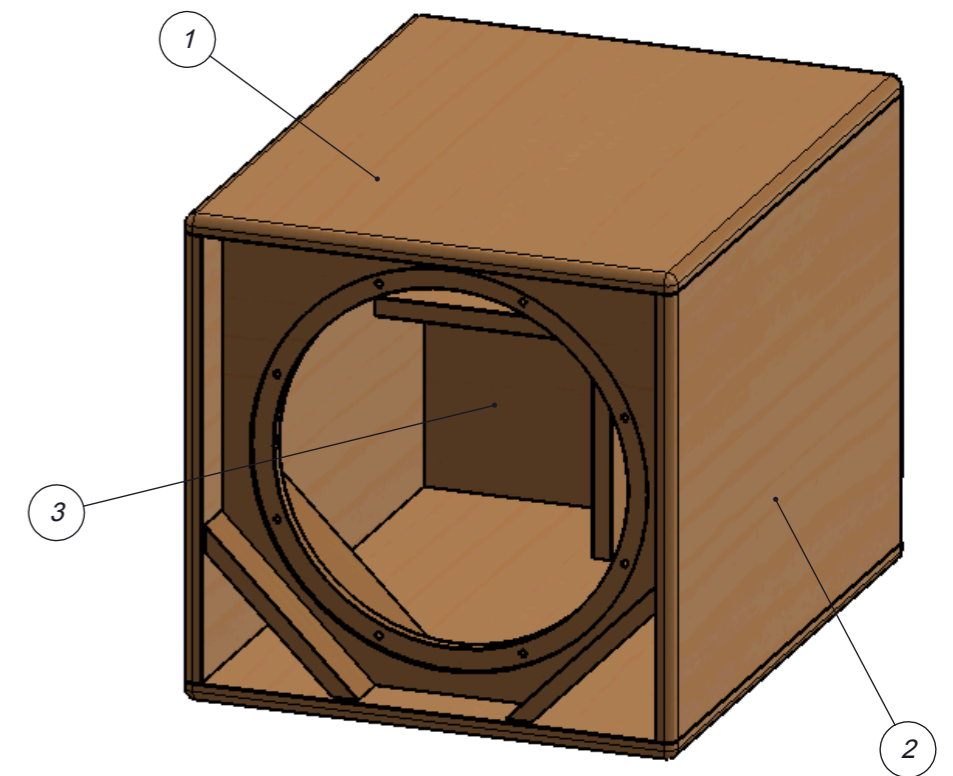
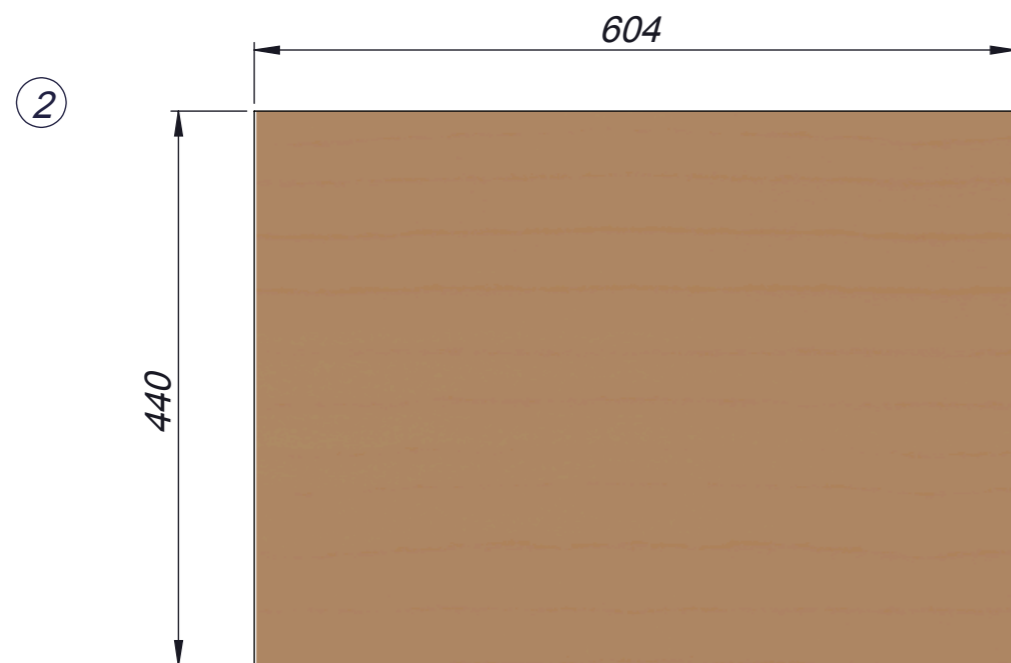
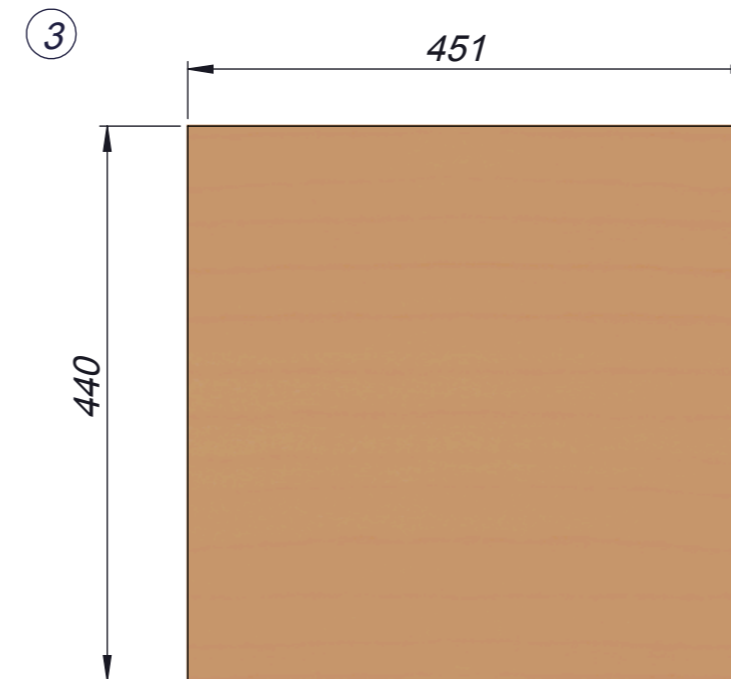
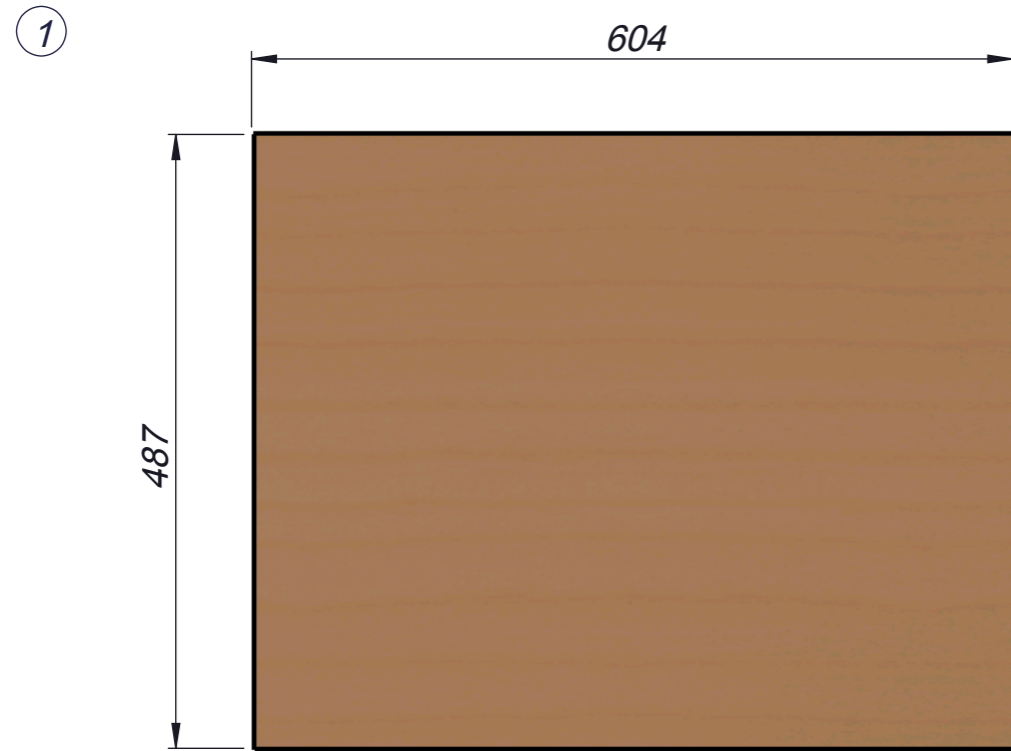
EXPLODED VIEW



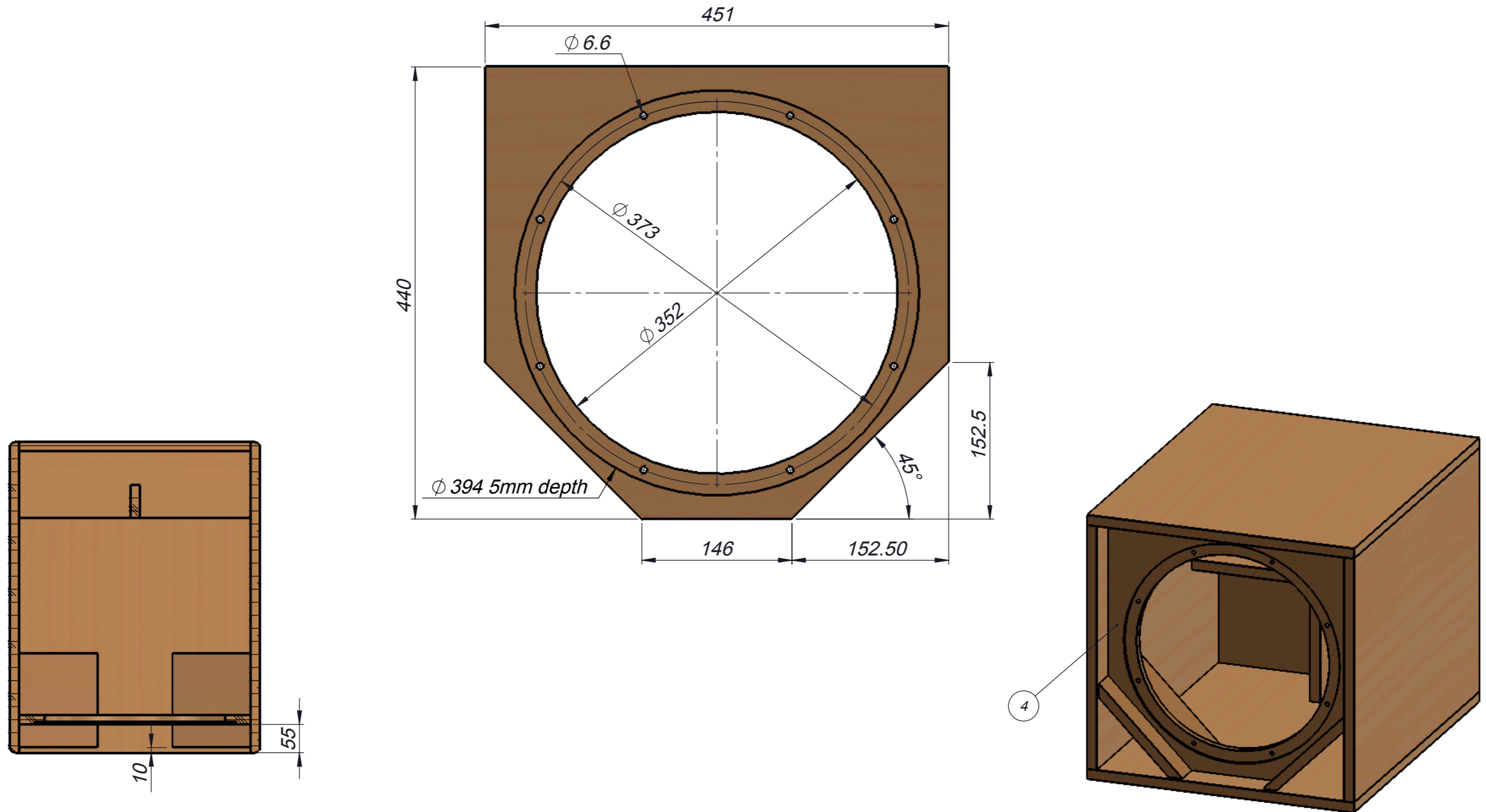
PARTS LIST

| ITEM N.º | PARTS DIMENSIONS | QTY. |
|----------|------------------|------|
| 1 | 604 x 487 x 18 | 2 |
| 2 | 604 x 440 x 18 | 2 |
| 3 | 451 x 440 x 18 | 1 |
| 4 | 451 x 440 x 18 | 1 |
| 5 | 440 x 130 x 18 | 1 |
| 6 | 451 x 130 x 18 | 1 |
| 7 | 216 x 184 x 18 | 2 |

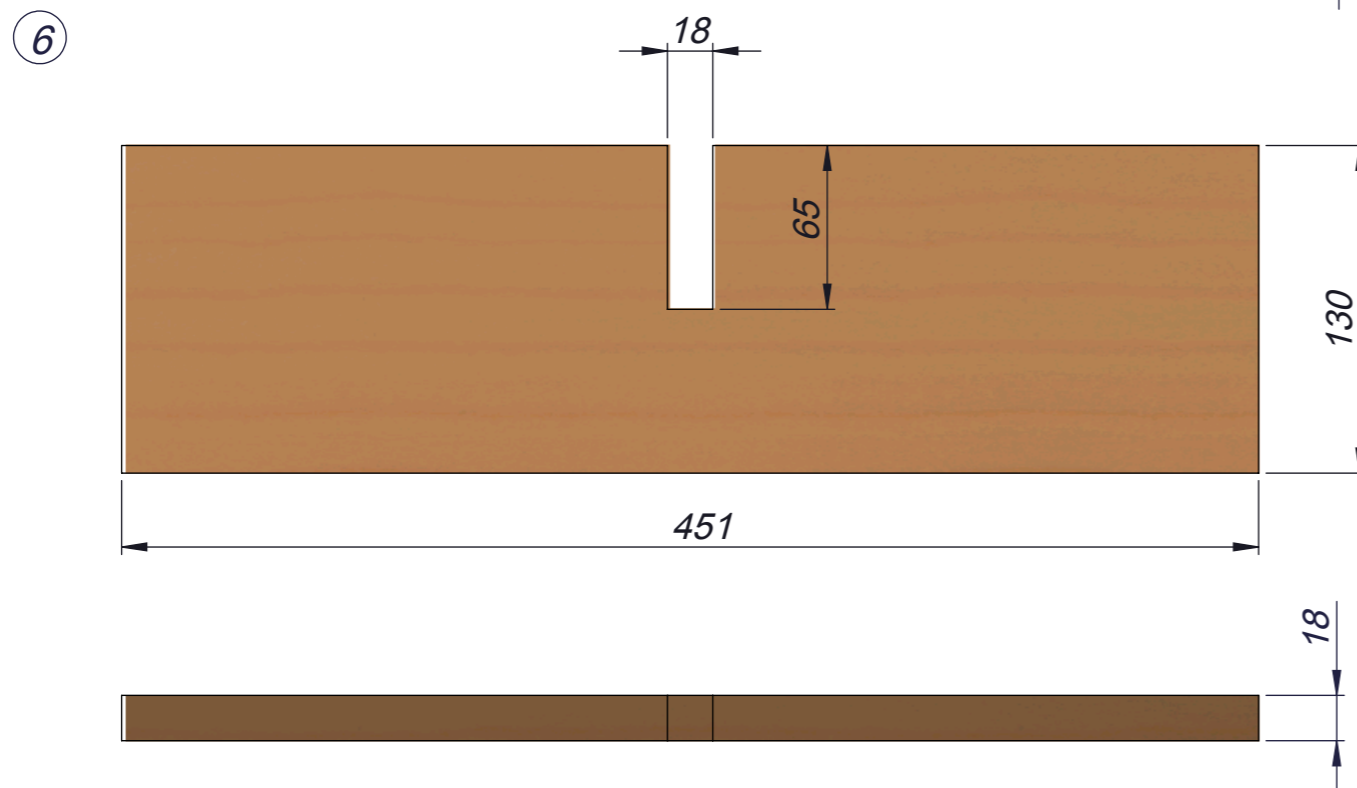
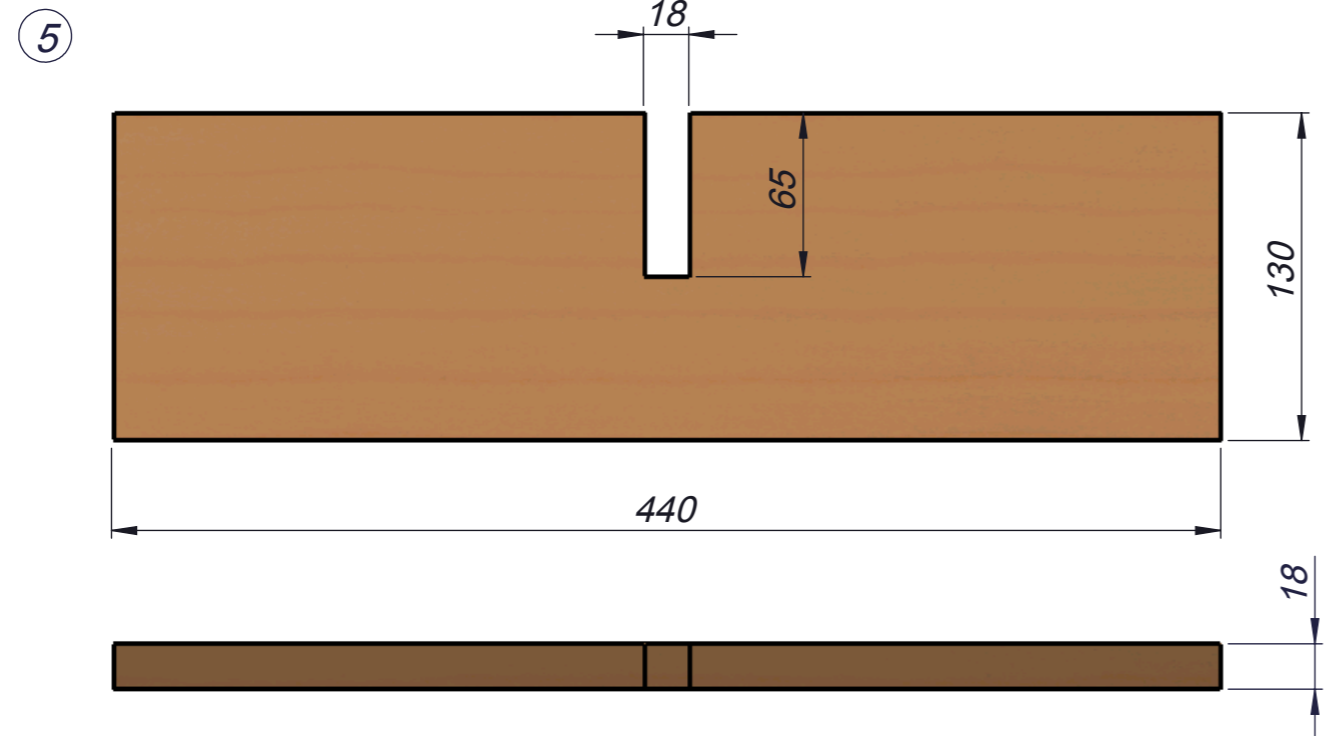
SIDES



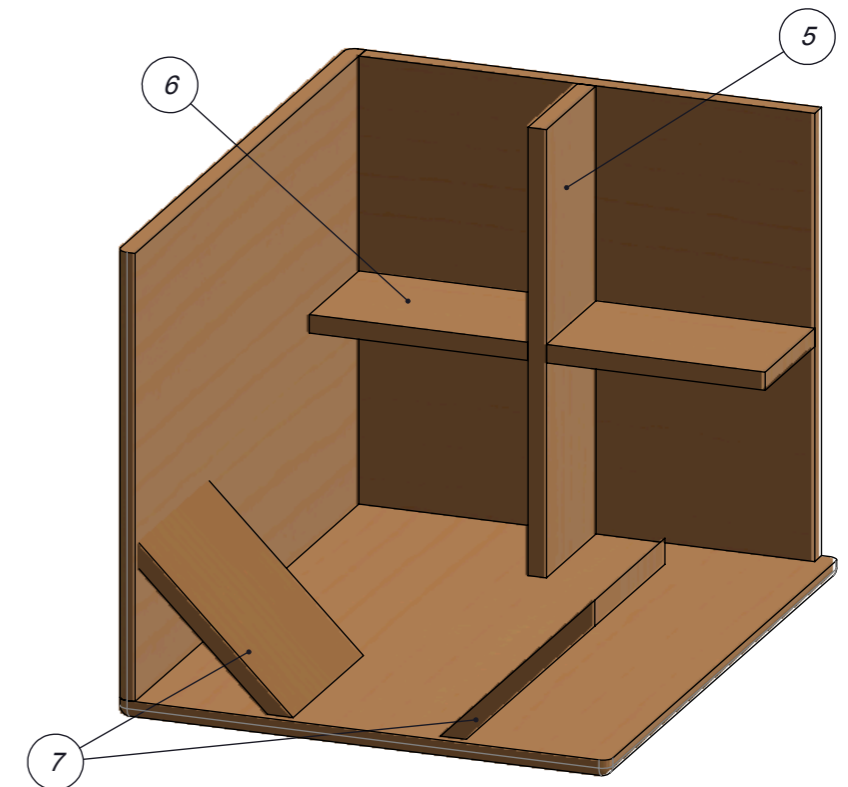
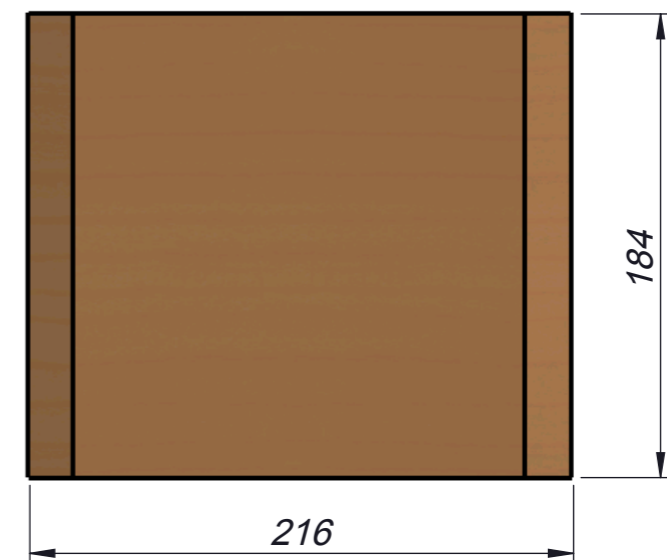
FRONT PANEL



INNER REINFORCEMENT



VENT



beyma  **S-SERIES**

DIRECT RADIATION VENTED SUBWOOFERS

