

**beyma**



**S-18LEX1600**  
SINGLE 18LEX1600 DIRECT  
RADIATION VENTED SUBWOOFER

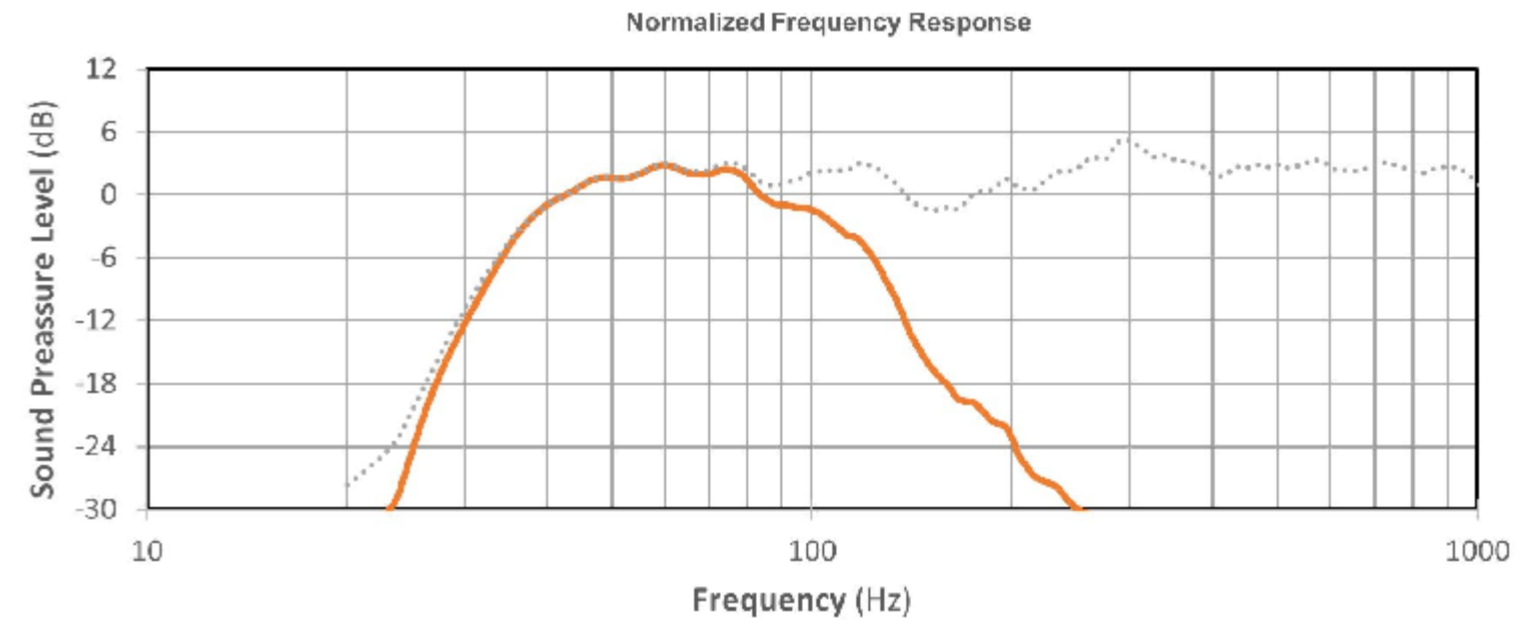


**TECHNICAL SPECIFICATIONS**

<b>Frequency response (<math>\pm 3</math> dB)</b>	38 Hz - 150 Hz
<b>Usable bandwidth (-10 dB)</b>	28 Hz - 1.80 kHz
<b>Maximum SPL (*)</b>	134 dB
<b>Sensitivity 1W@1m</b>	96 dB
<b>Transducer:</b>	18LEX1600Nd & 18LEX1600Fe
<b>AES power handling:</b>	1600 W
<b>Nominal impedance:</b>	8 $\Omega$
<b>Connectors:</b>	2 x NL4
<b>Box Dimensions: (**)</b>	600 x 536 x 800 (Birch Plywood 18mm)
<p>(*) Peak level at 1 m under free field conditions using pink noise with 2 crest factor (6 dB).                  (**) All dimensions in this files are in millimeters.</p>	



**FREQUENCY RESPONSE**

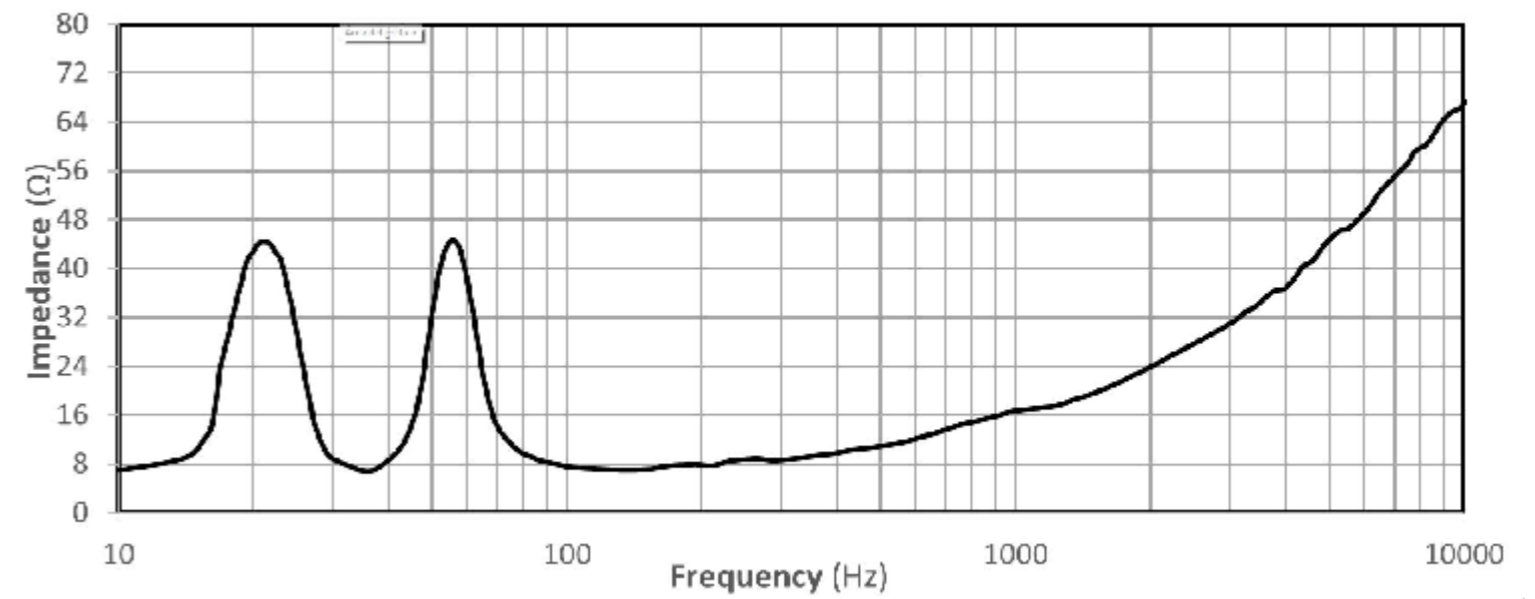


**PRESETS**

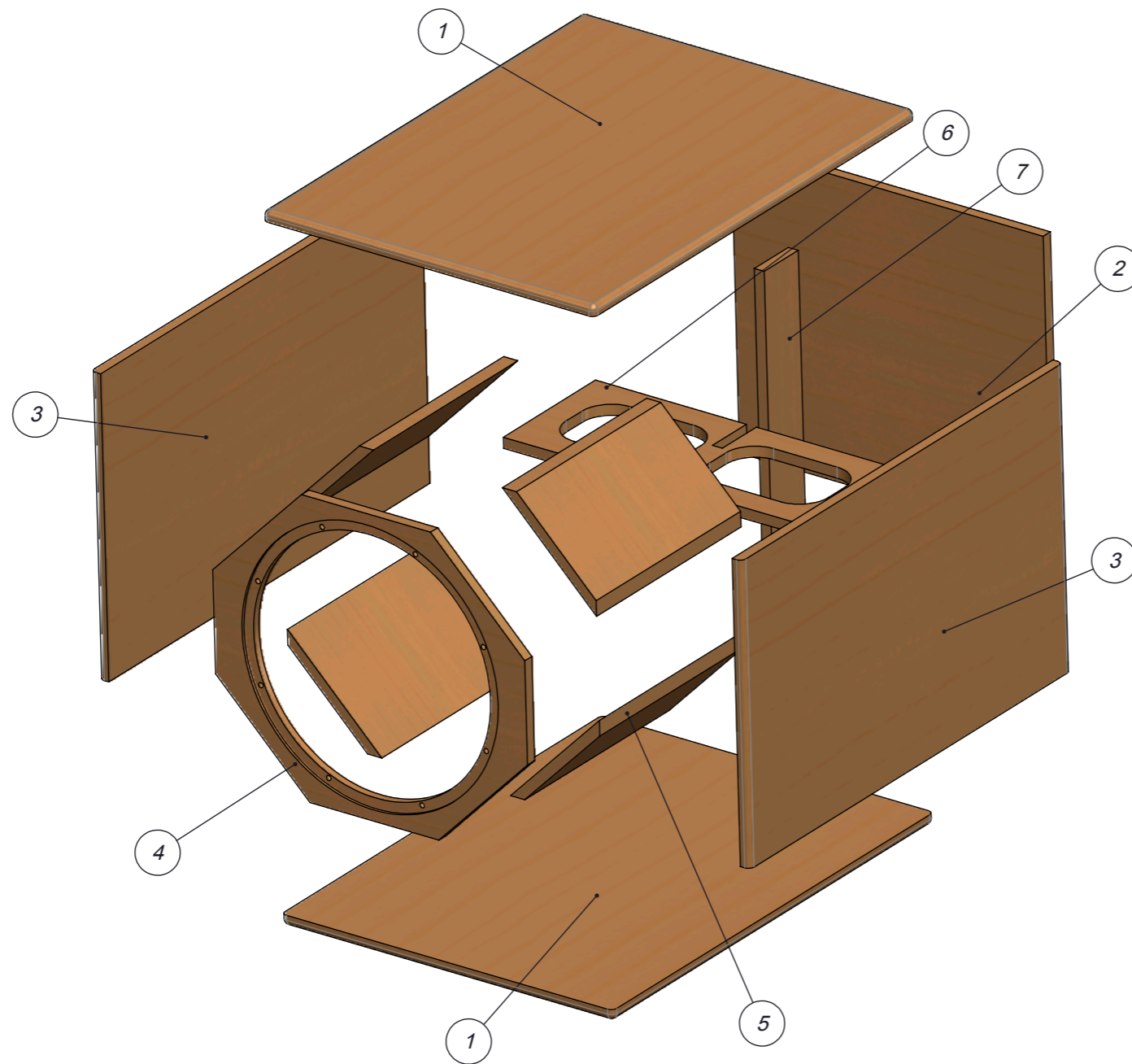
S-18LEX	f (Hz)	Shape	Order
HPF	22	BW	48 <sup>dB/</sup> <sub>octv</sub>
LPF	99	BW	24 <sup>dB/</sup> <sub>octv</sub>
EQ	f (Hz)	Q	Gain
1	44	3.8	+1.5
2	64	5	-1.5
3	86	5	2
4	144	8.4	-3
LIMITER (*)	Threshold	Attack	Release
	11 dBu	45 ms	400 ms

\*for 32 dB Gain amplifier

**IMPEDANCE**



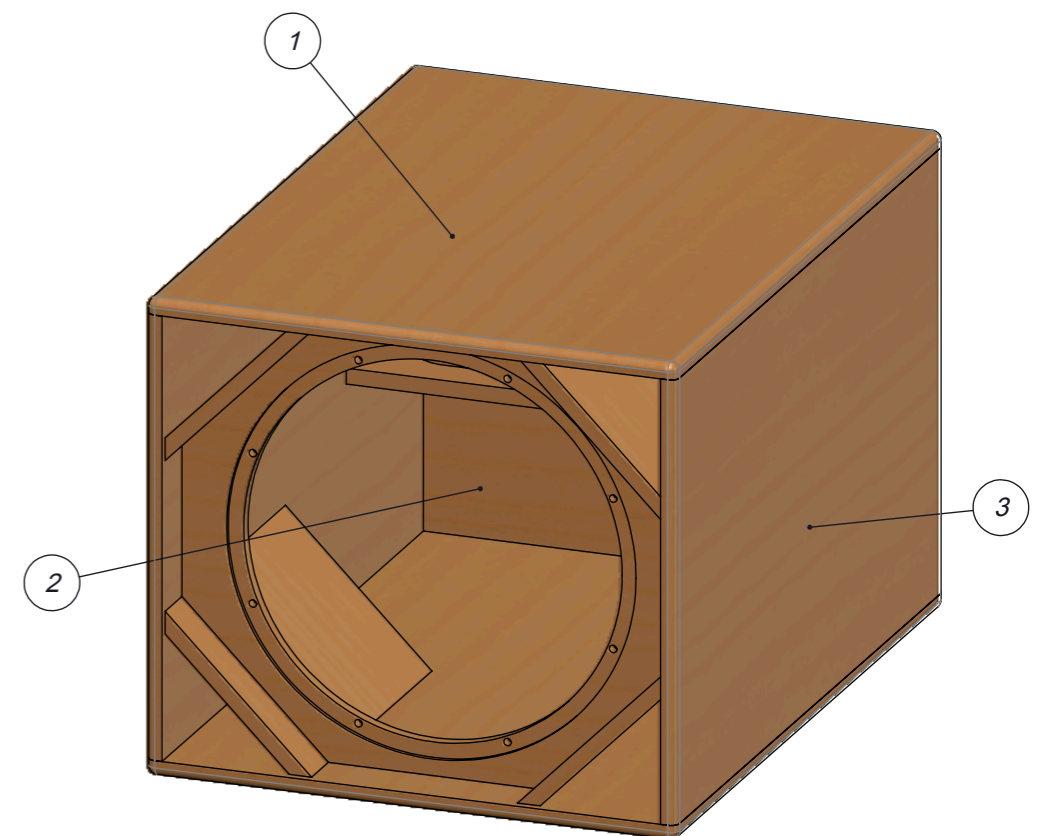
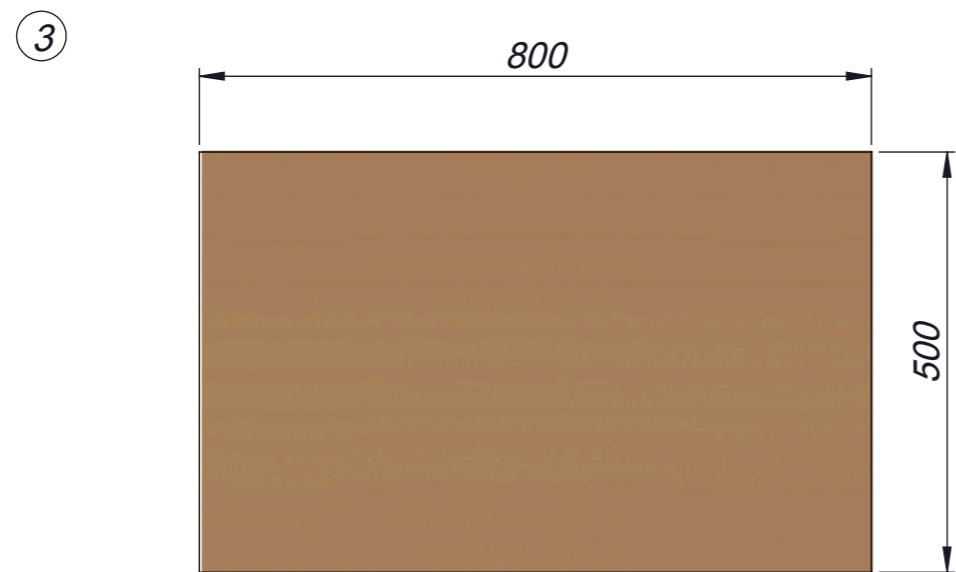
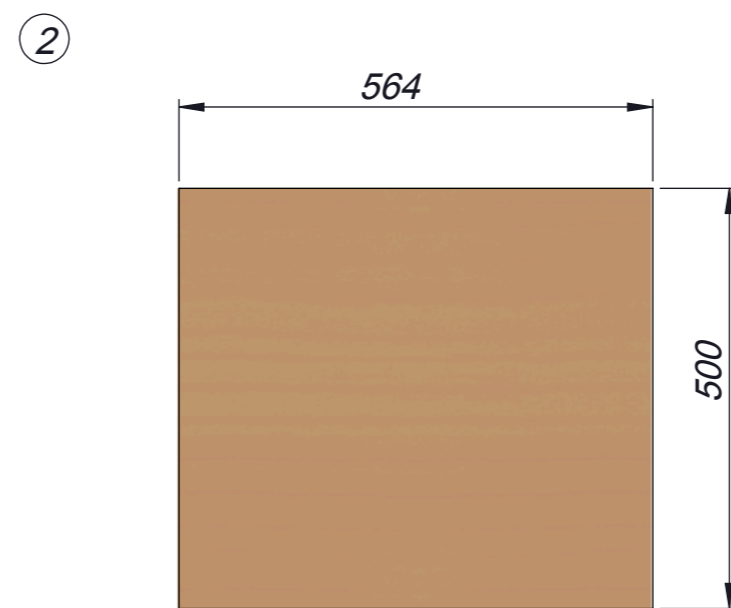
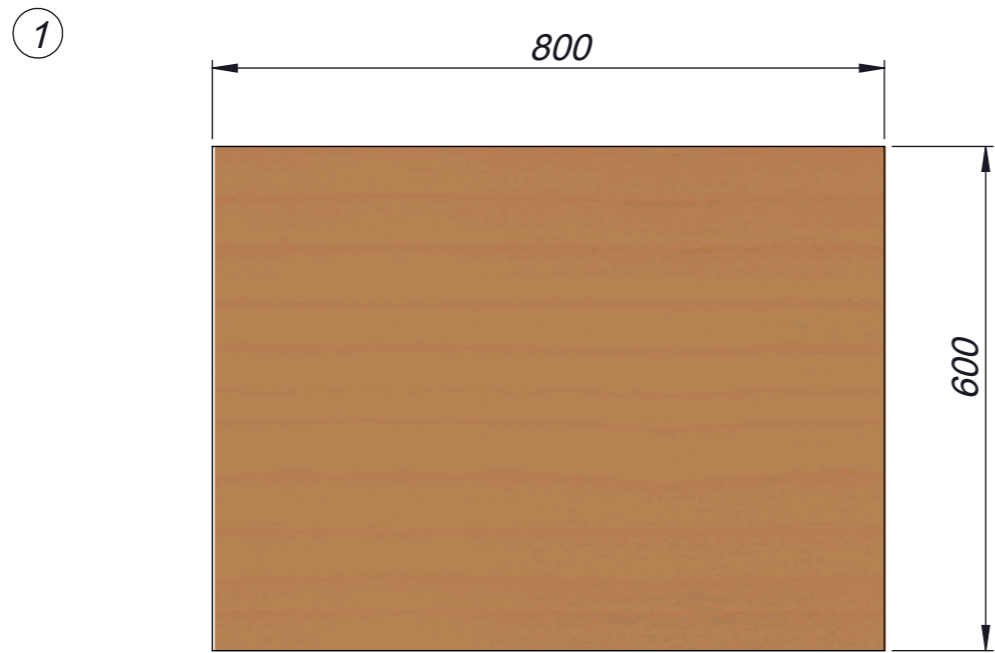
**EXPLODED VIEW**



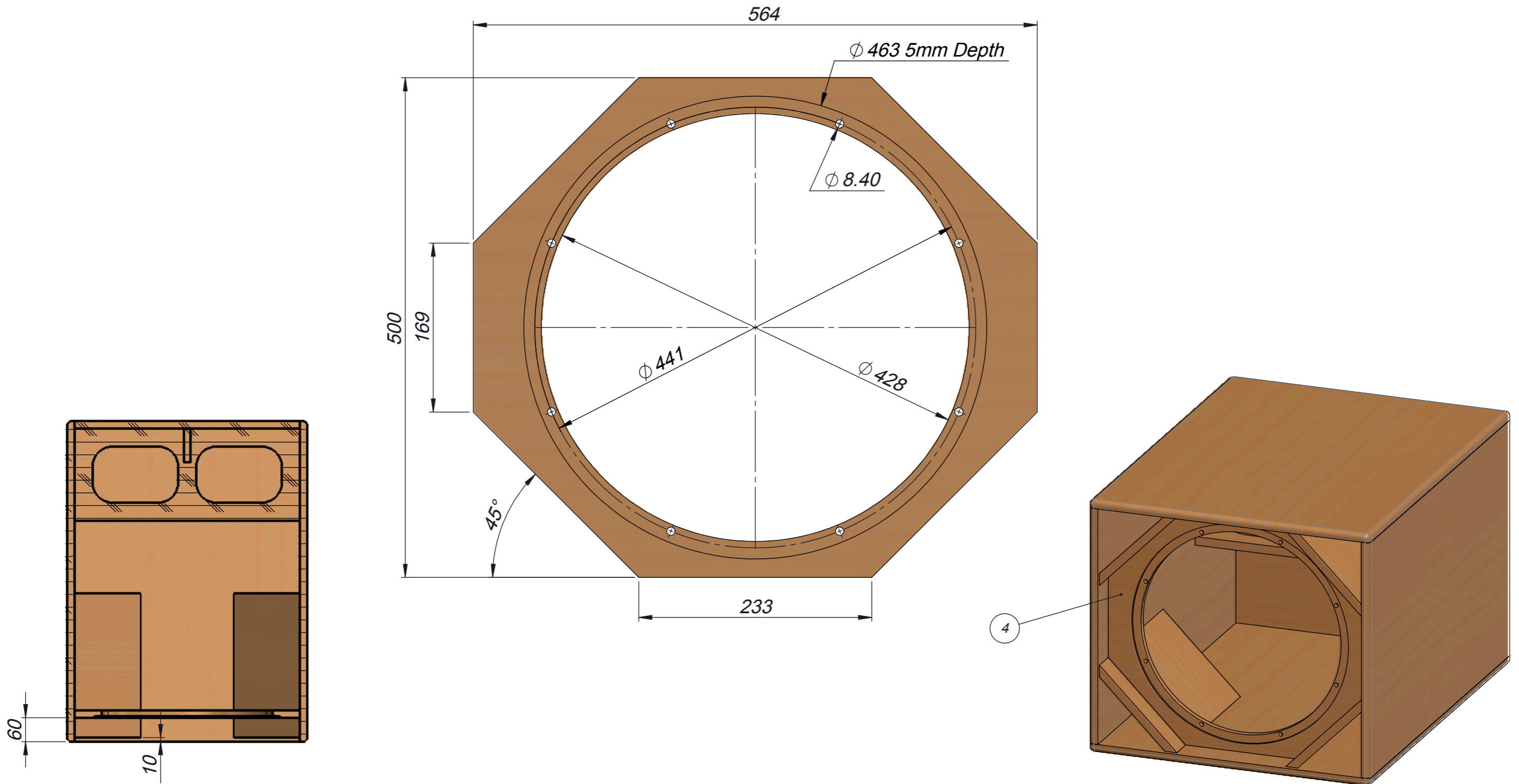
**PARTS LIST**

ITEM N.º	PARTS DIMENSIONS	QTY
1	800 x 600 x 18	2
2	564 x 500 x 18	1
3	800 x 500 x 18	2
4	564 x 500 x 18	1
5	360 x 234 x 18	4
6	564 x 230 x 18	1
7	500 x 85 x 18	1

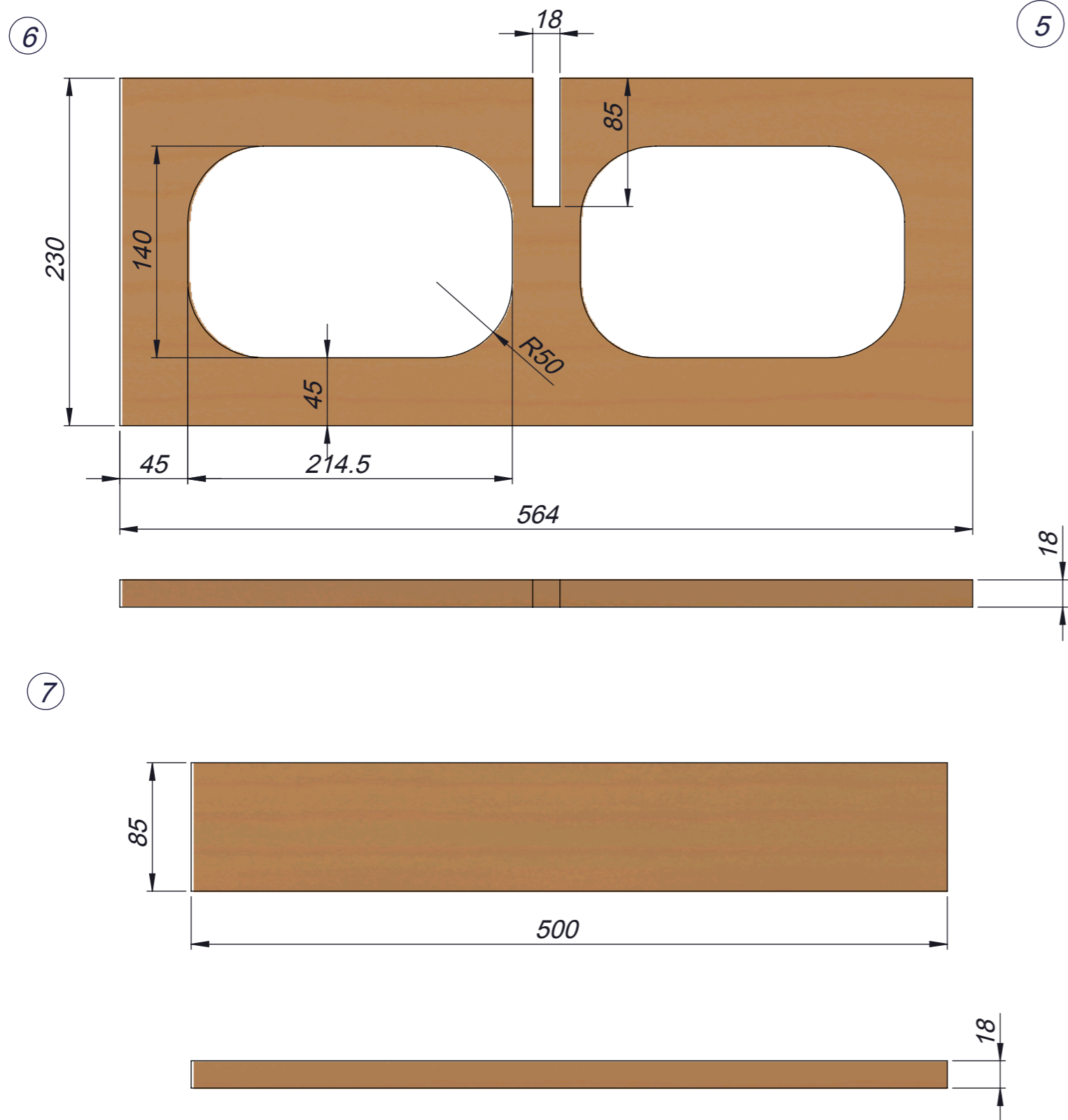
SIDES



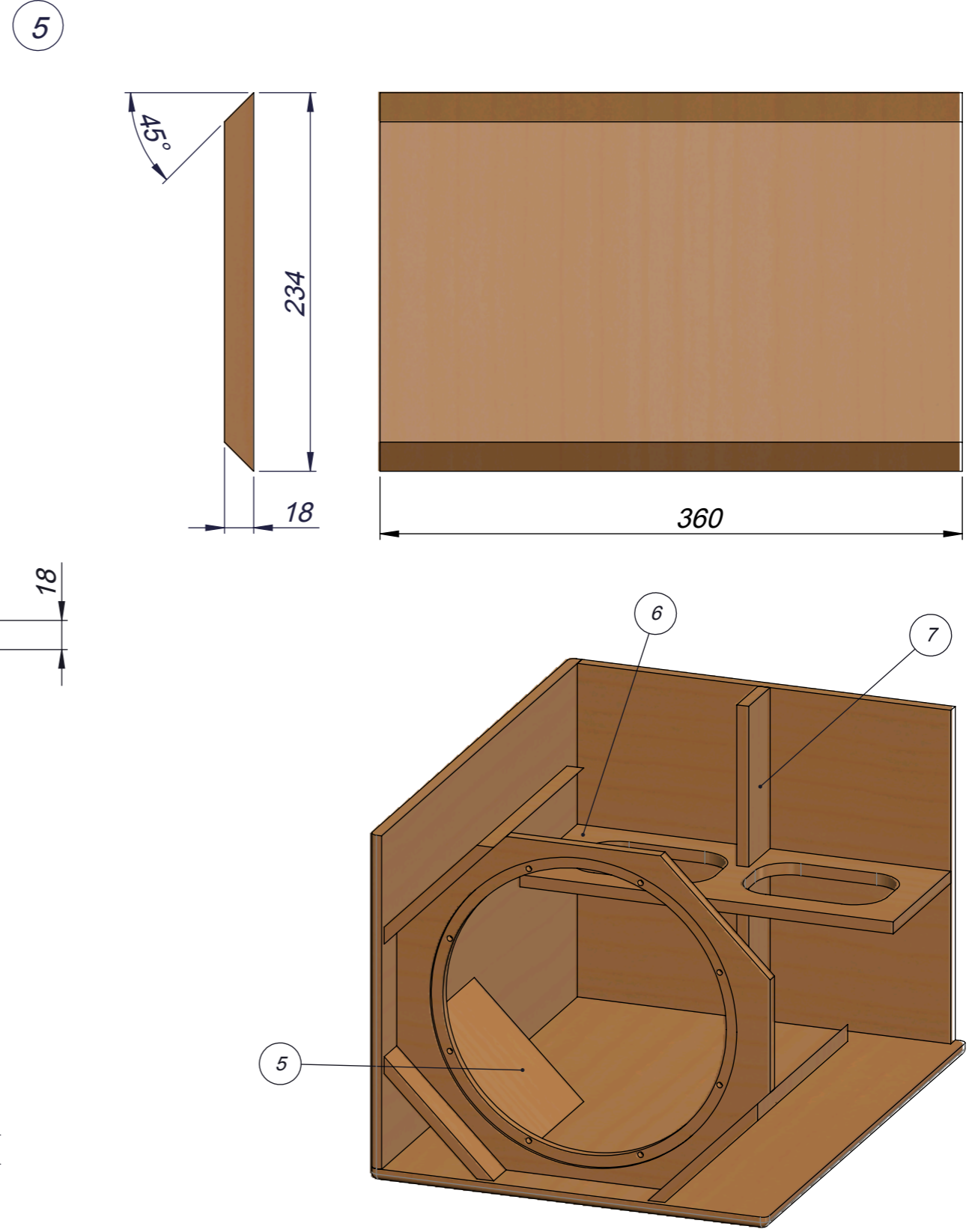
FRONT PANEL



**INNER REINFORCEMENT**



**VENT**



**beyma**  **S-SERIES**

***DIRECT RADIATION VENTED SUBWOOFERS***

