

beyma



S-218LEX1000
DOUBLE 18LEX1000 DIRECT
RADIATION VENTED SUBWOOFER



TECHNICAL SPECIFICATIONS

Frequency response (± 3 dB)	39 Hz - 160 Hz
Usable bandwidth (-10 dB)	29 Hz - 1.80 kHz
Maximum SPL (*)	143 dB
Sensitivity 1W@1m	104 dB
Transducer:	2x18LEX1000Nd & 2x18LEX1000Fe
AES power handling:	2000 W
Nominal impedance:	4 Ω
Connectors:	2 x NL4
Box Dimensions: (**)	1200 x 536 x 800(Birch Plywood 18mm)
<p>(*) Peak level at 1 m under free field conditions using pink noise with 2 crest factor (6 dB). (**) All dimensions in this files are in millimeters.</p>	

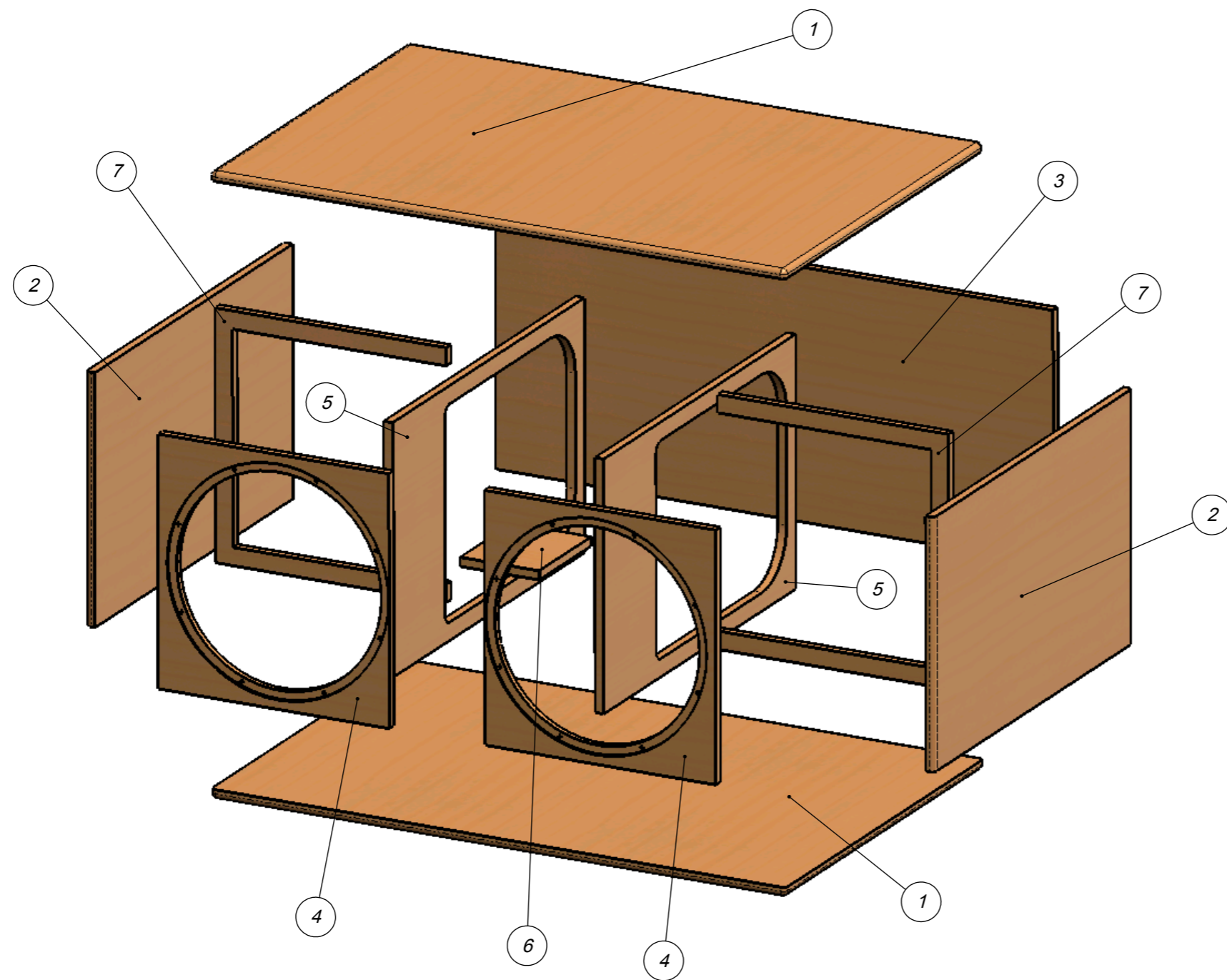


PRESETS

S-218LEX	f (Hz)	Shape	Order
HPF	22	BW	48 ^{dB/} _{octv}
LPF	96	BW	24 ^{dB/} _{octv}
EQ	f (Hz)	Q	Gain
1	44	3.8	+1.5
2	64	5	-1.5
3	86	5	2
4	144	8.4	-3
LIMITER (*)	Threshold	Attack	Release
	11 dBu	45 ms	400 ms

**for 32 dB Gain amplifier*

EXPLODED VIEW

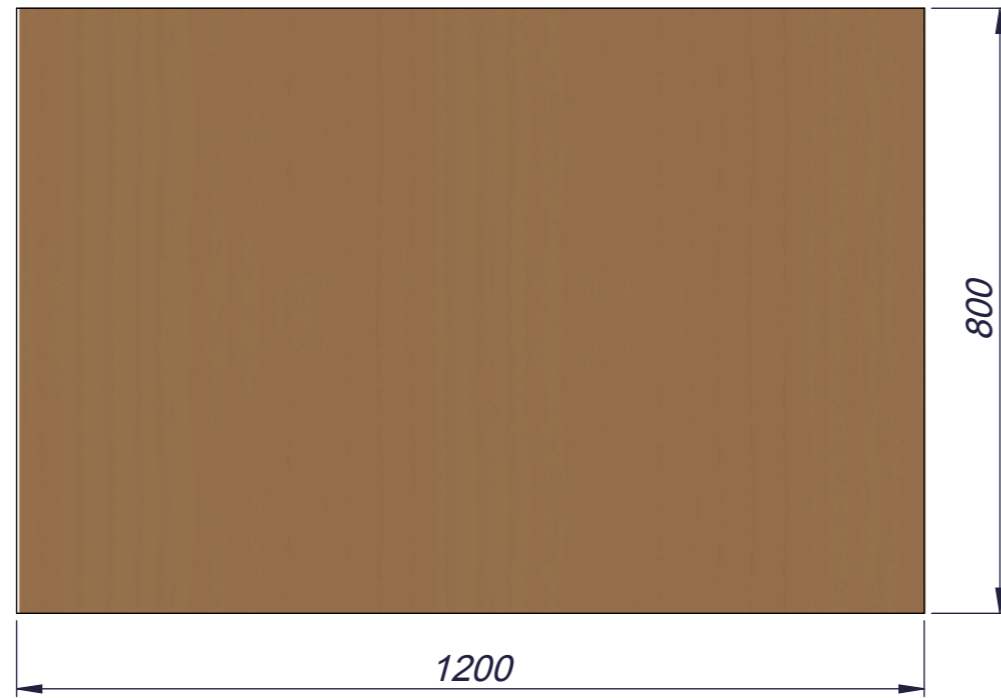


PARTS LIST

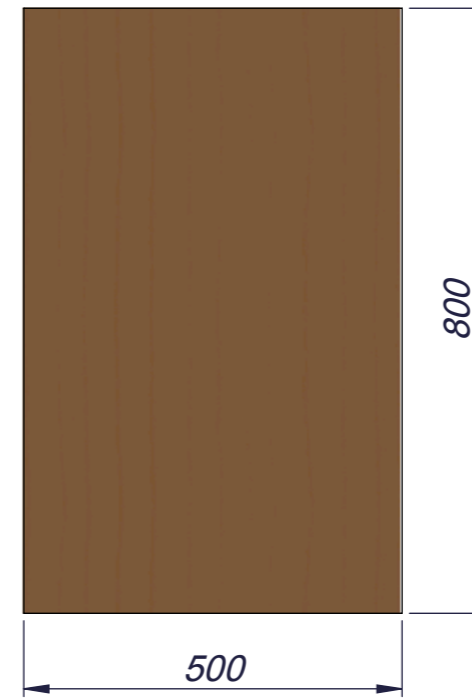
ITEM NO.	PARTS DIMENSIONS	QTY.
1	1200 x 800 x 18	2
2	800 x 500 x 18	2
3	1164 x 500 x 18	1
4	500 x 482 x 18	2
5	775 x 500 x 18	2
6	210 x 164 x 18	1
7	500 x 482 x 18	2

SIDES

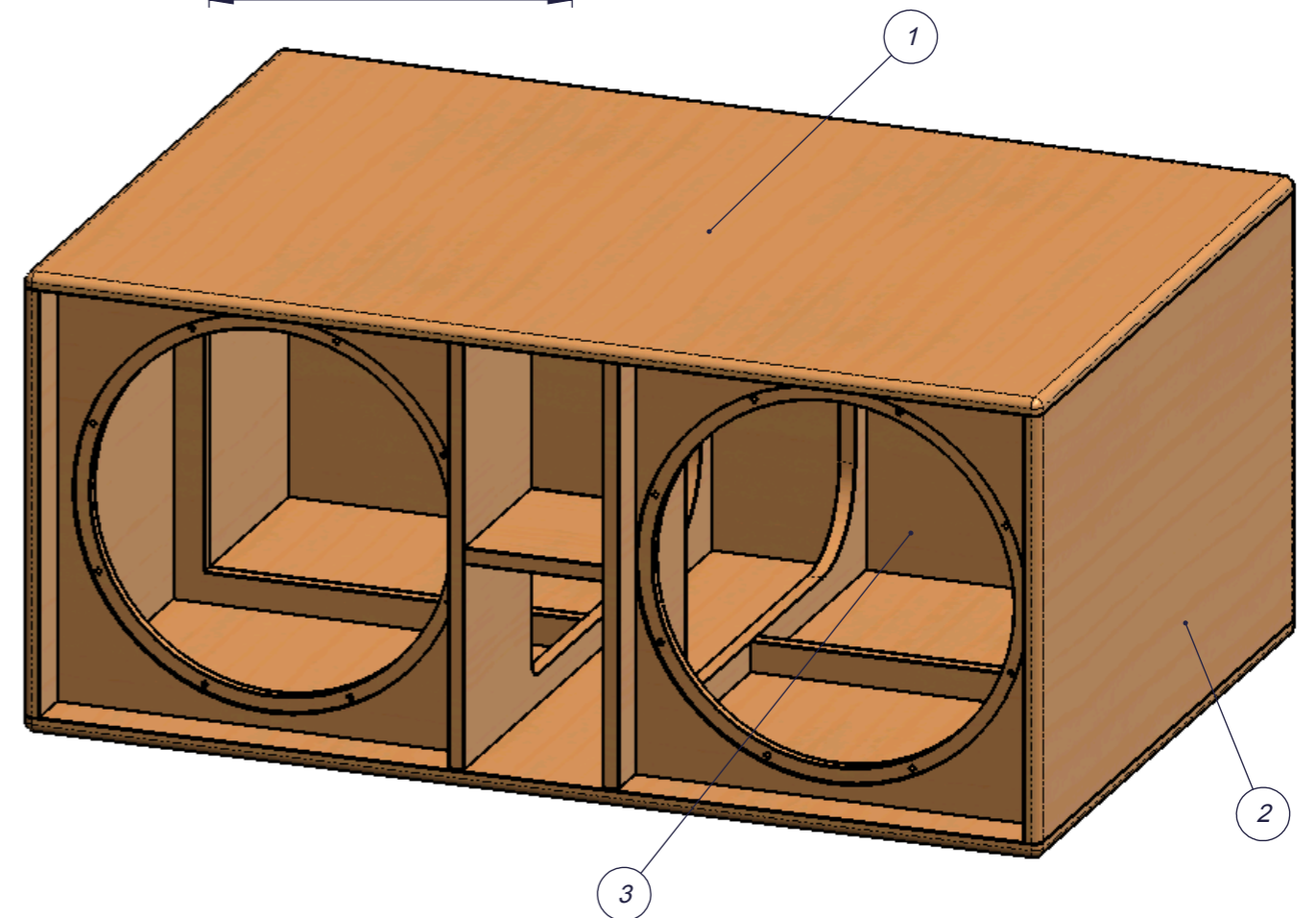
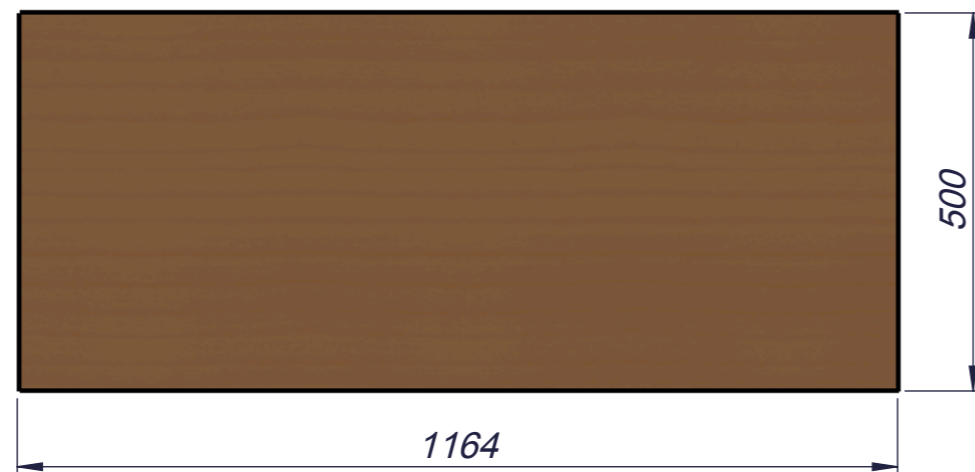
1



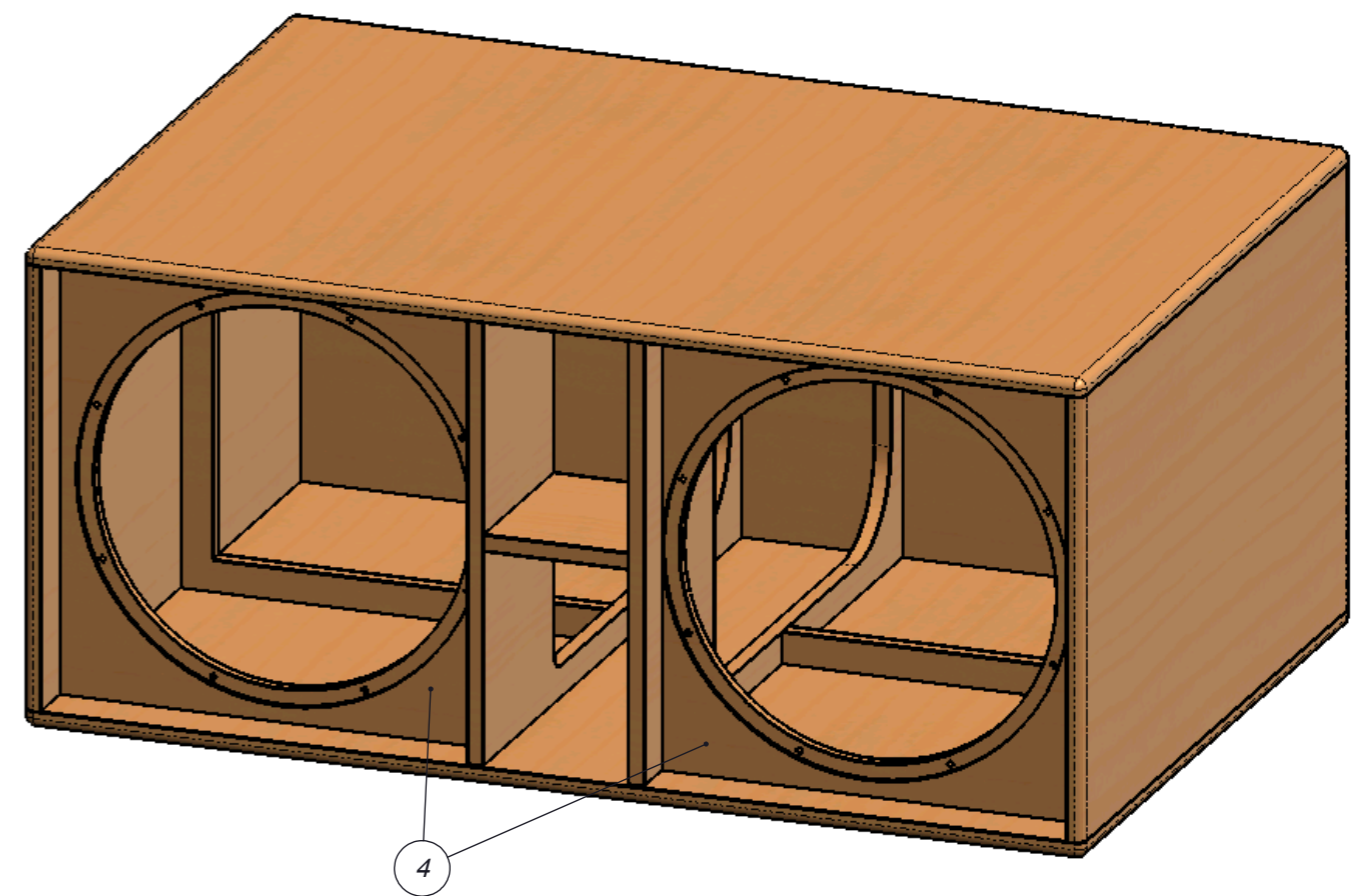
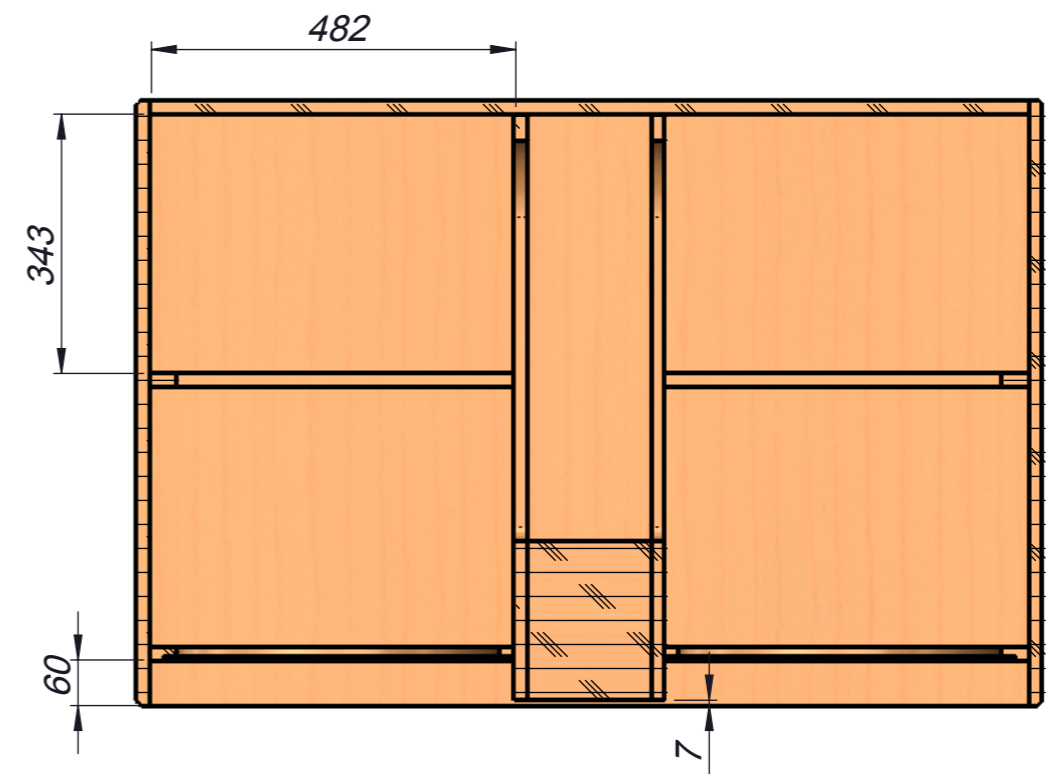
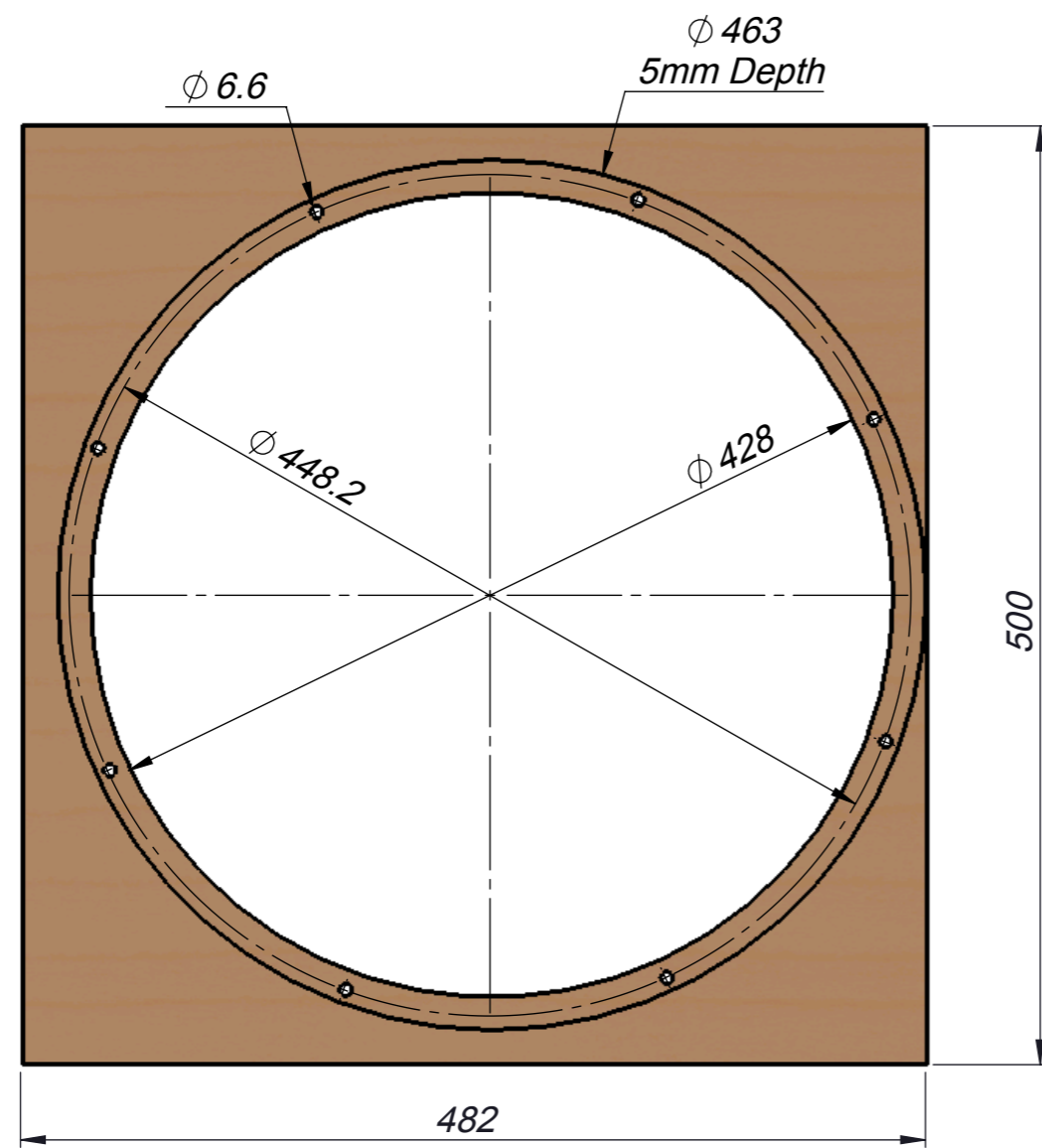
2



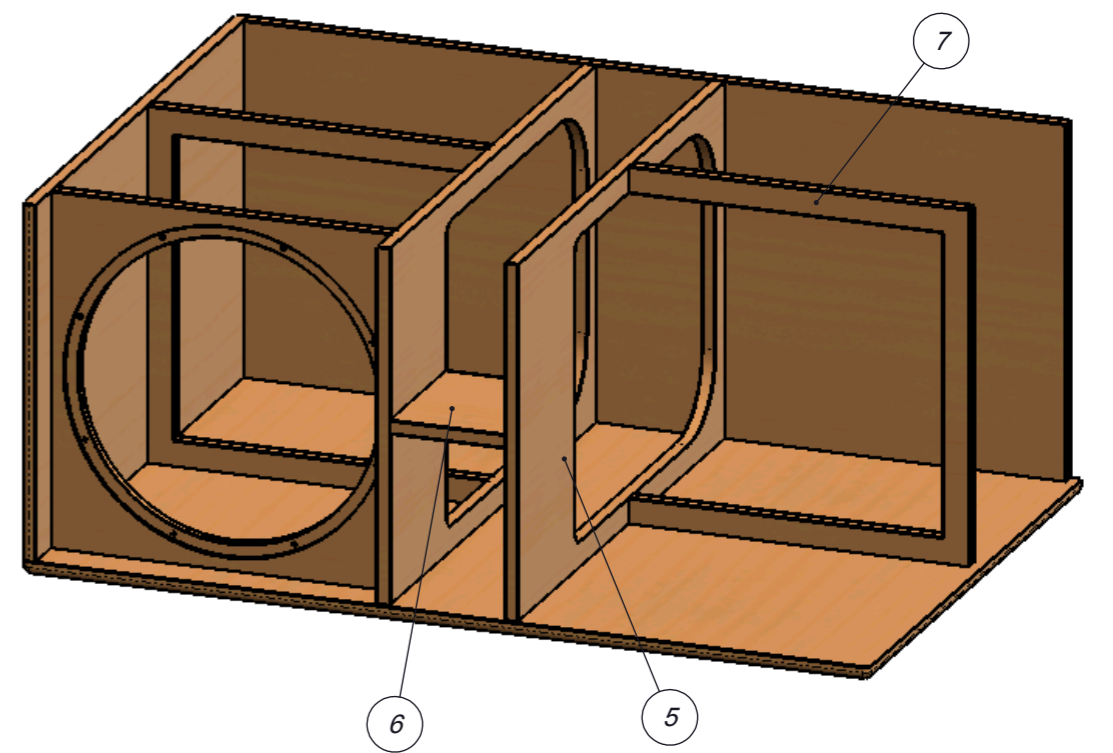
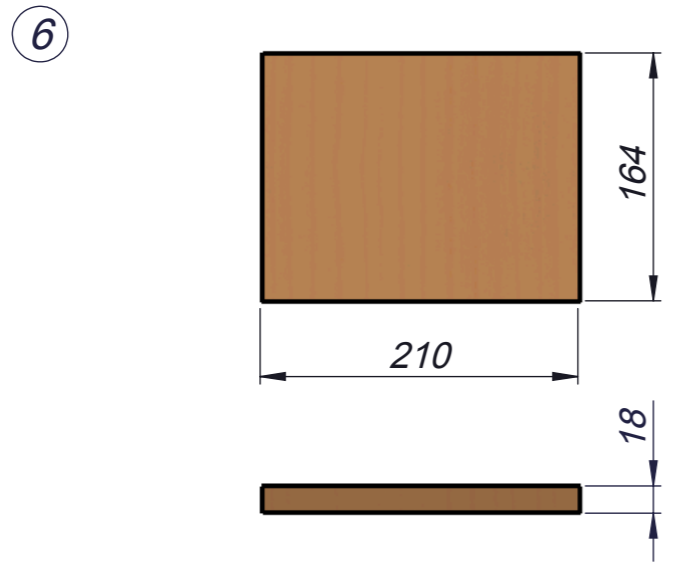
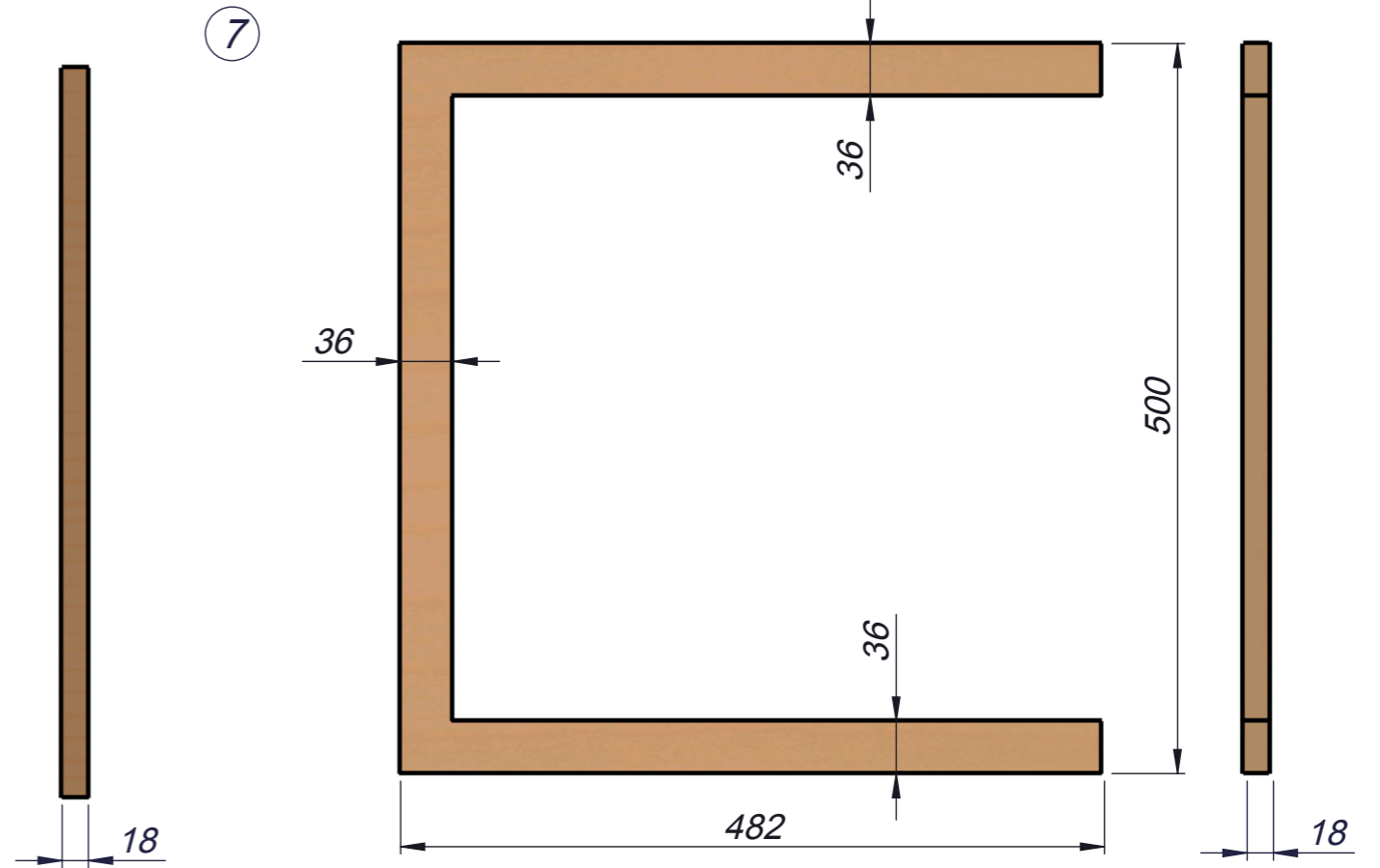
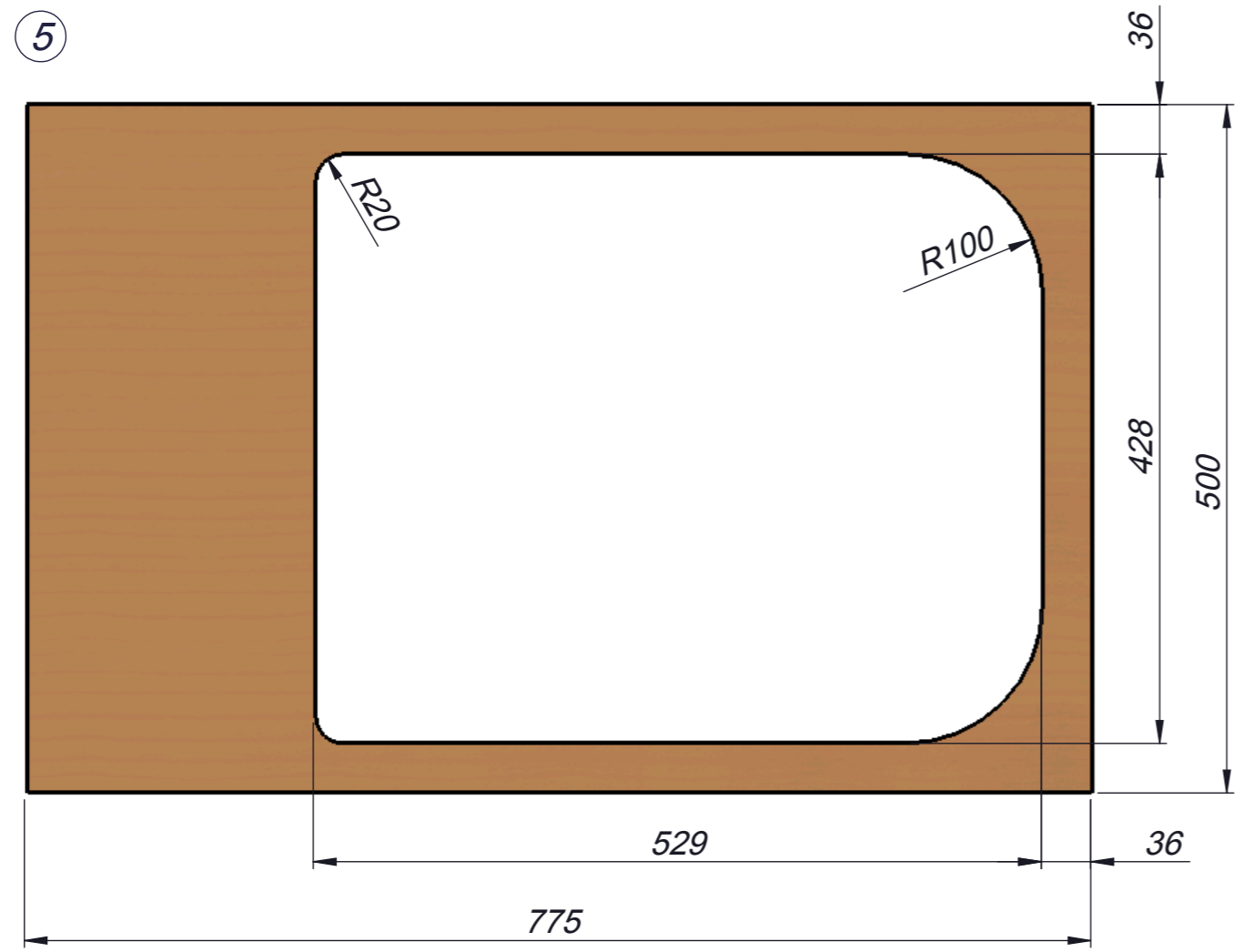
3



FRONT PANEL



INNER REINFORCEMENT



beyma  **S-SERIES**

DIRECT RADIATION VENTED SUBWOOFERS

