

**beyma**



**S-218LEX1600**  
DOUBLE 18LEX1600 DIRECT  
RADIATION VENTED SUBWOOFER



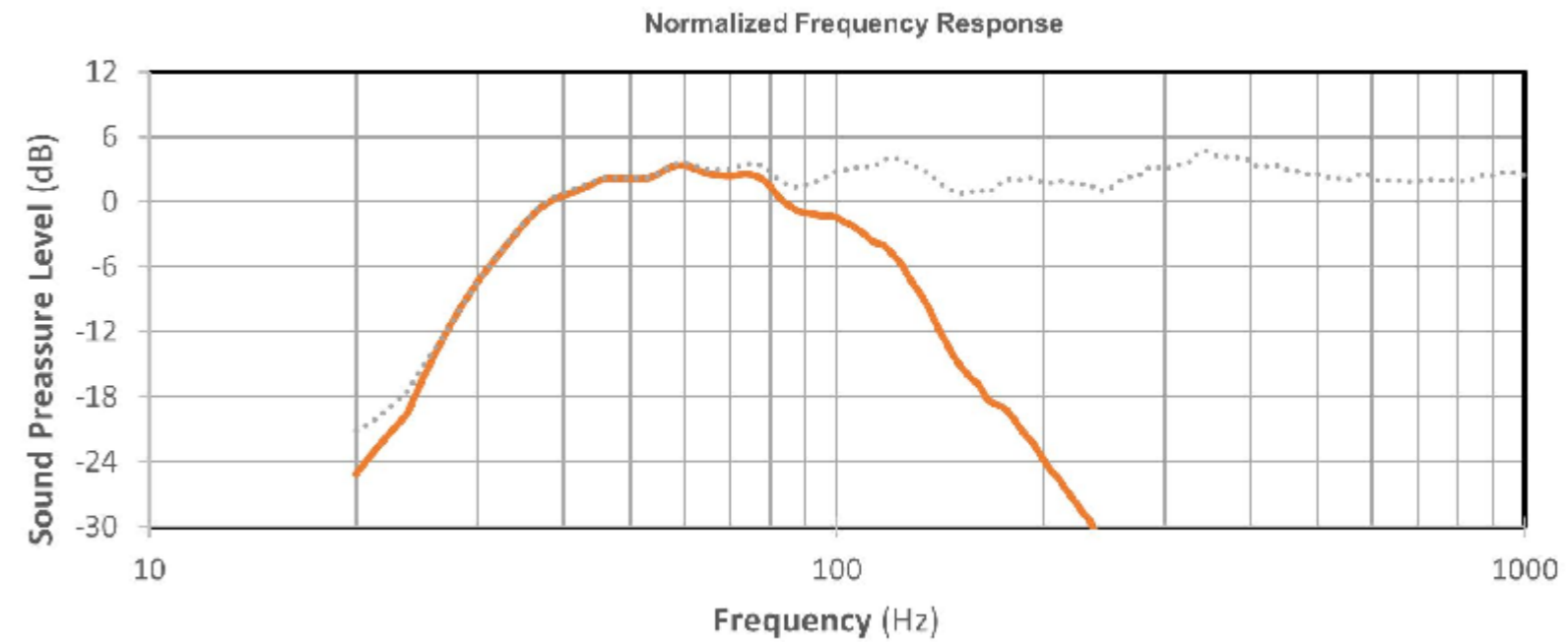


**TECHNICAL SPECIFICATIONS**

<b>Frequency response (<math>\pm 3</math> dB)</b>	38 Hz - 160 Hz
<b>Usable bandwidth (-10 dB)</b>	28 Hz - 1.80 kHz
<b>Maximum SPL (*)</b>	143 dB
<b>Sensitivity 1W@1m</b>	102 dB
<b>Transducer:</b>	18LEX1600Nd & 18LEX1600Fe
<b>AES power handling:</b>	3200 W
<b>Nominal impedance:</b>	4 $\Omega$
<b>Connectors:</b>	2 x NL4
<b>Box Dimensions: (**)</b>	1200 x 536 x 800(Birch Plywood 18mm)
<b>(*) Peak level at 1 m under free field conditions using pink noise with 2 crest factor (6 dB).</b> <b>(**) All dimensions in this files are in millimeters.</b>	



**FREQUENCY RESPONSE**

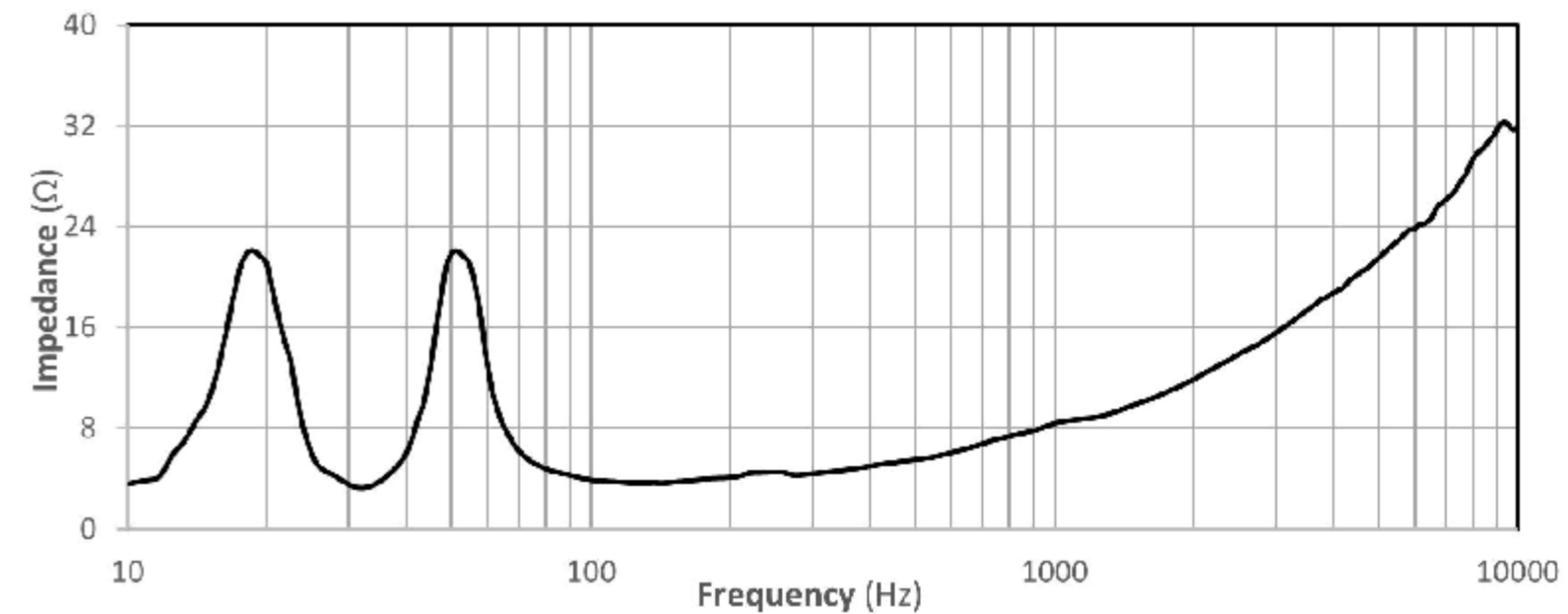


**PRESETS**

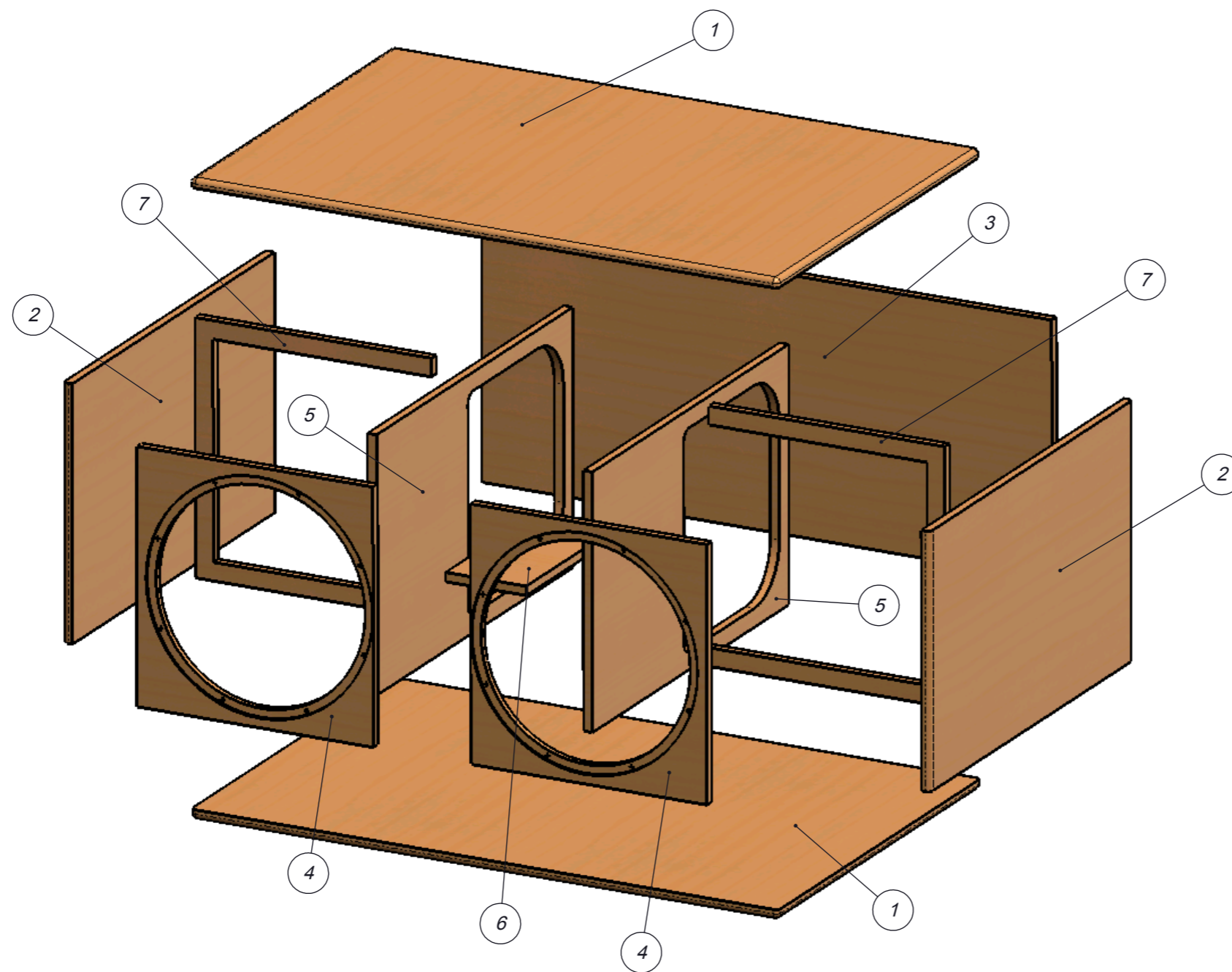
S-218LEX	f (Hz)	Shape	Order
HPF	22	BW	48 <sup>dB/</sup> <sub>octv</sub>
LPF	96	BW	24 <sup>dB/</sup> <sub>octv</sub>
EQ	f (Hz)	Q	Gain
1	44	3.8	+1.5
2	64	5	-1.5
3	86	5	2
4	144	8.4	-3
LIMITER (*)	Threshold	Attack	Release
	11 dBu	45 ms	400 ms

*\*for 32 dB Gain amplifier*

**IMPEDANCE**



**EXPLODED VIEW**

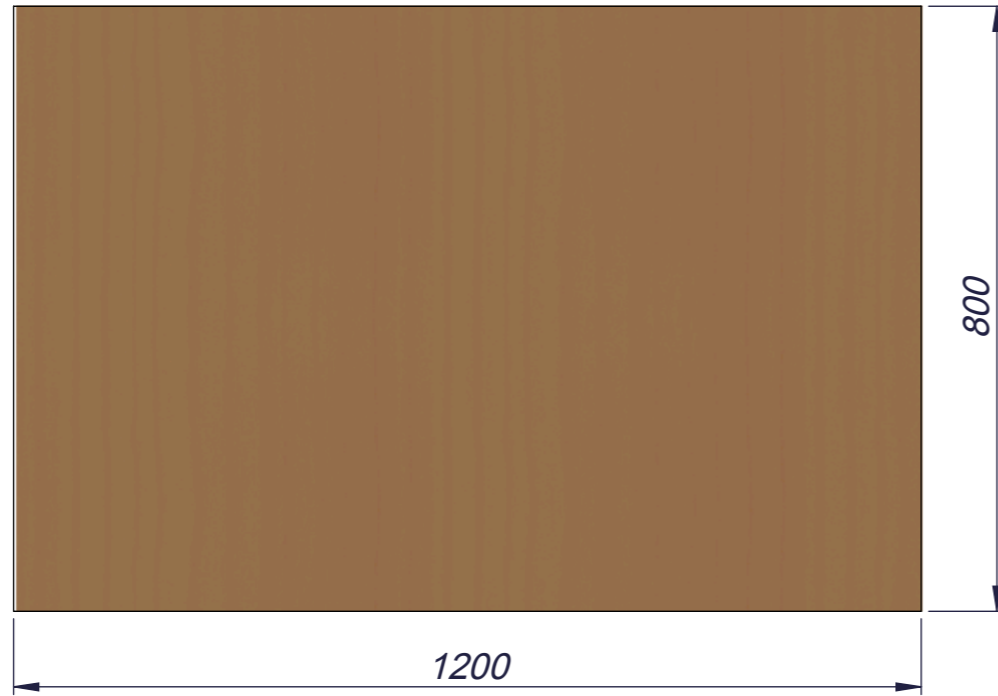


**PARTS LIST**

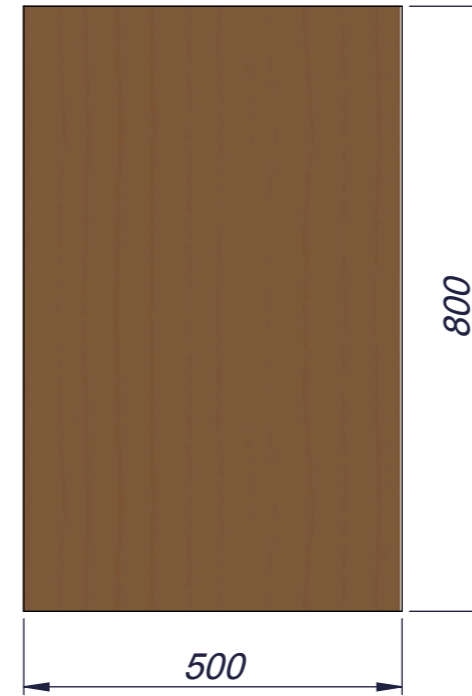
ITEM NO.	PARTS DIMENSIONS	QTY.
1	1200 x 800 x 18	2
2	800 x 500 x 18	2
3	1164 x 500 x 18	1
4	500 x 482 x 18	2
5	775 x 500 x 18	2
6	360 x 164 x 18	1
7	500 x 482 x 18	2

SIDES

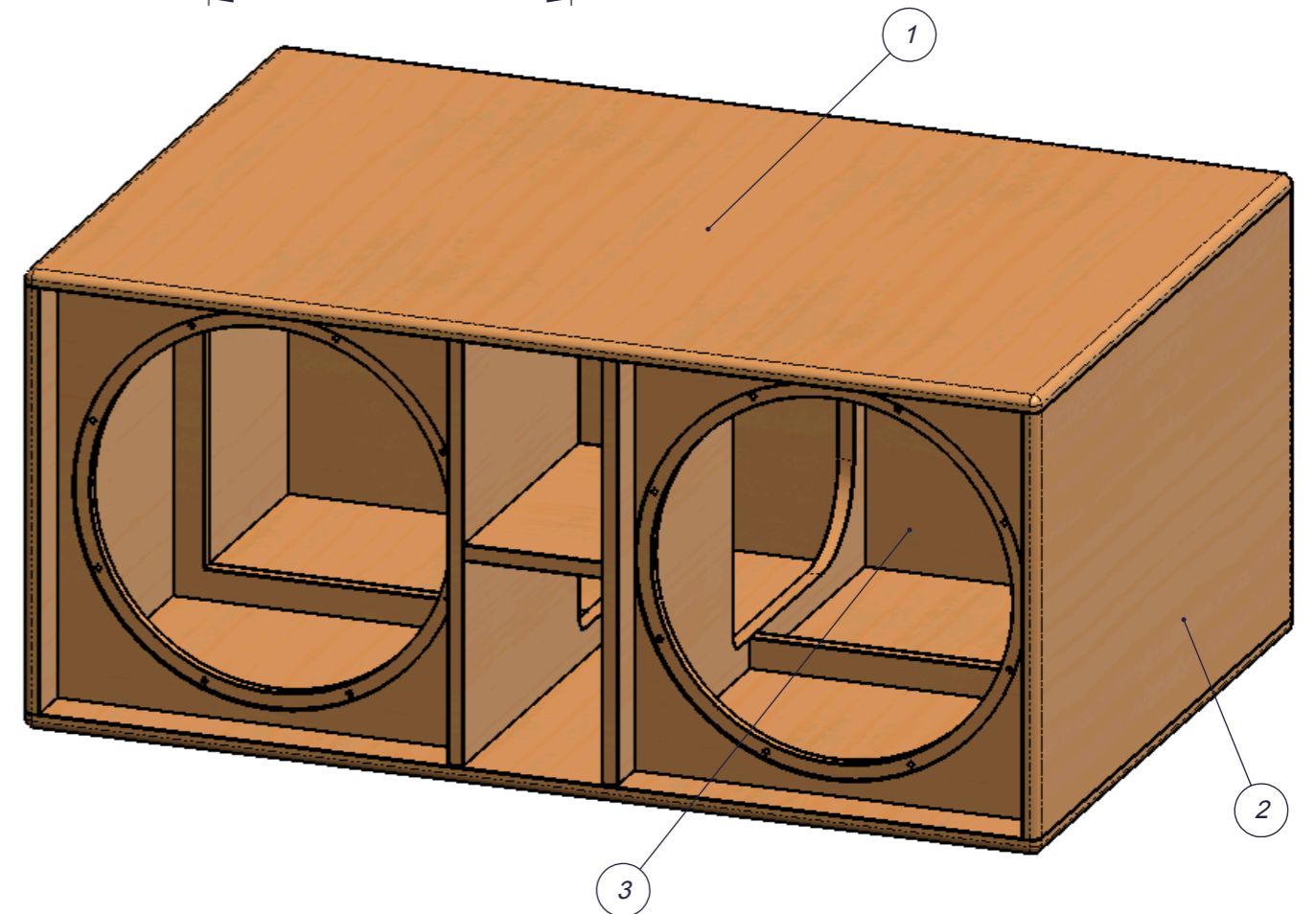
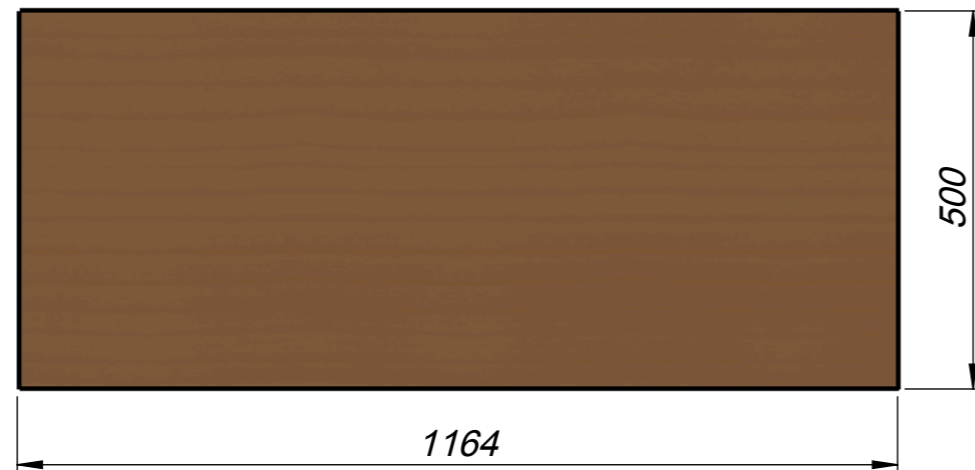
1



2

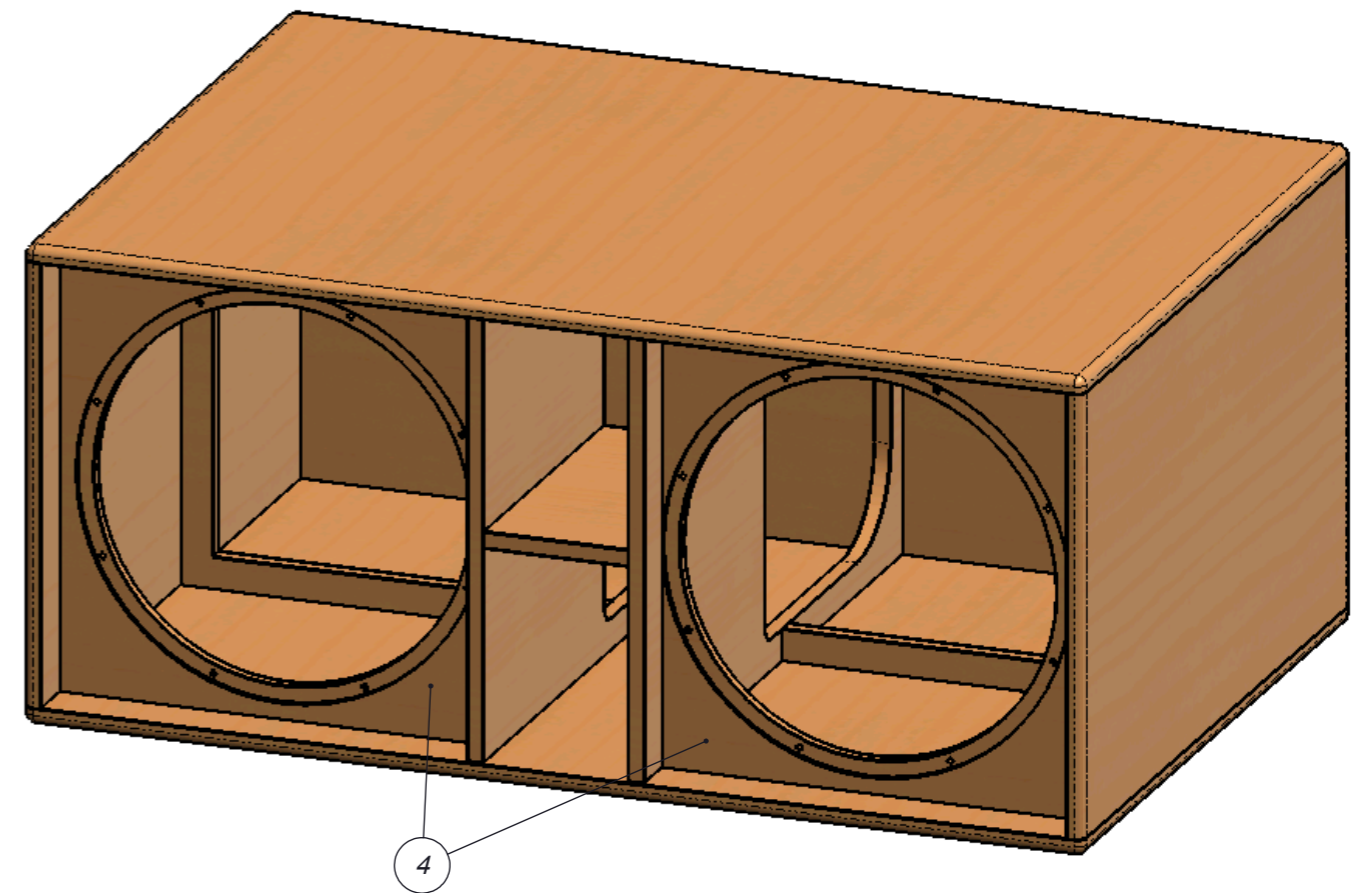
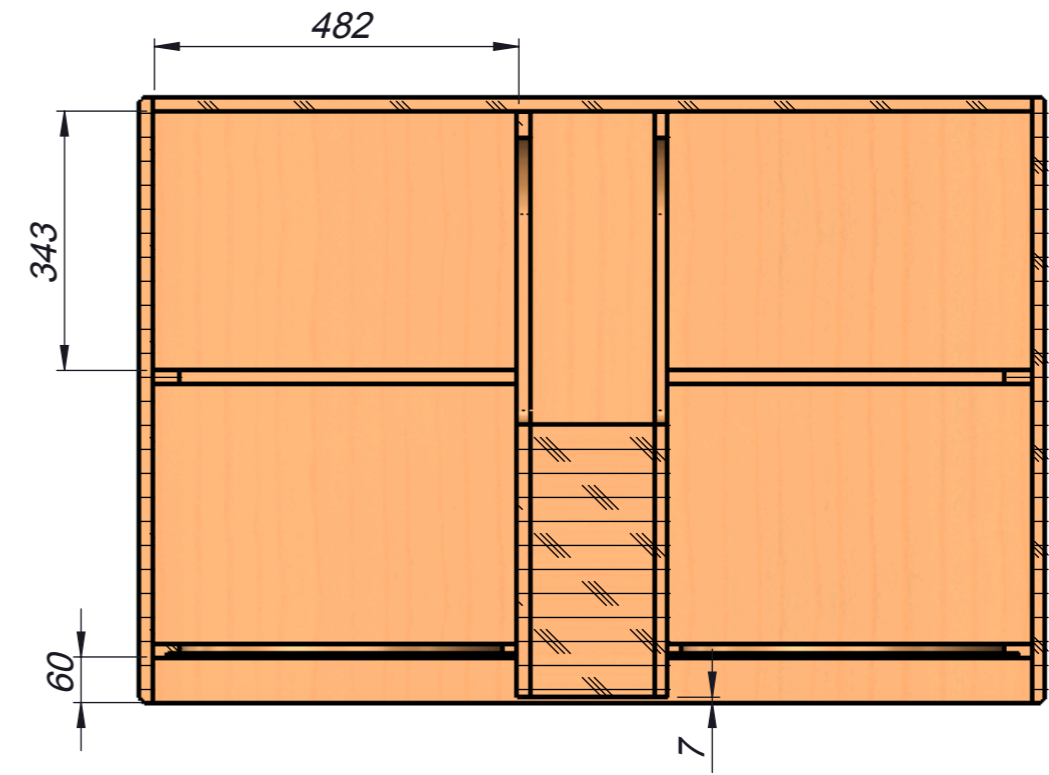
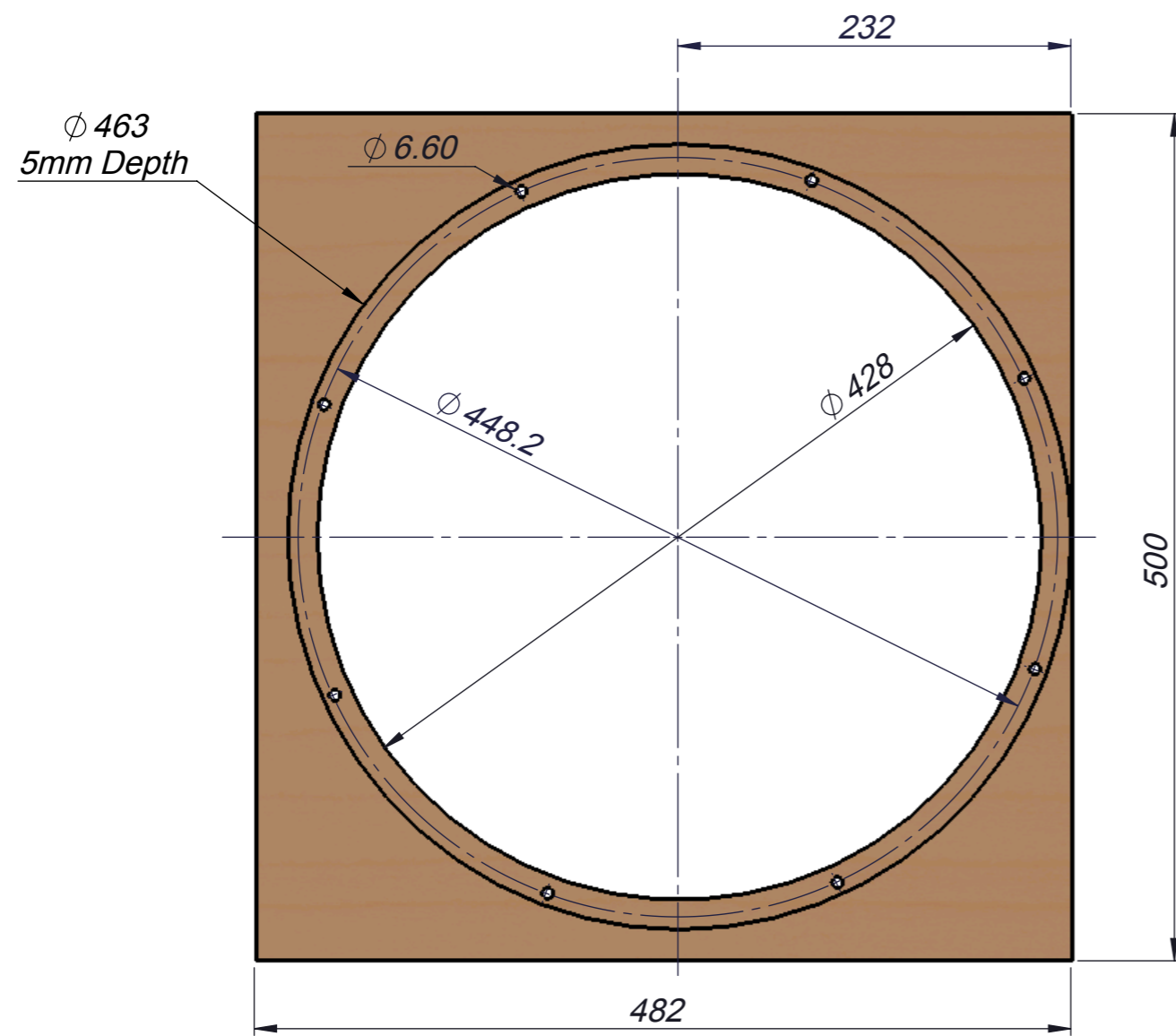


3

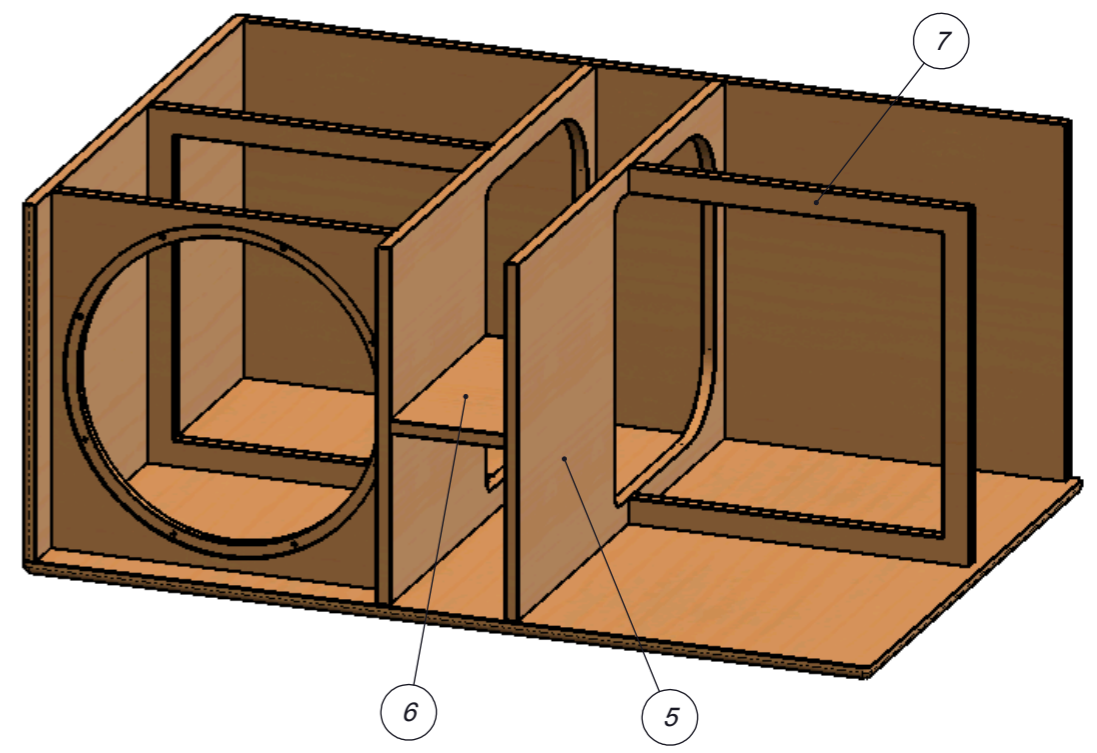
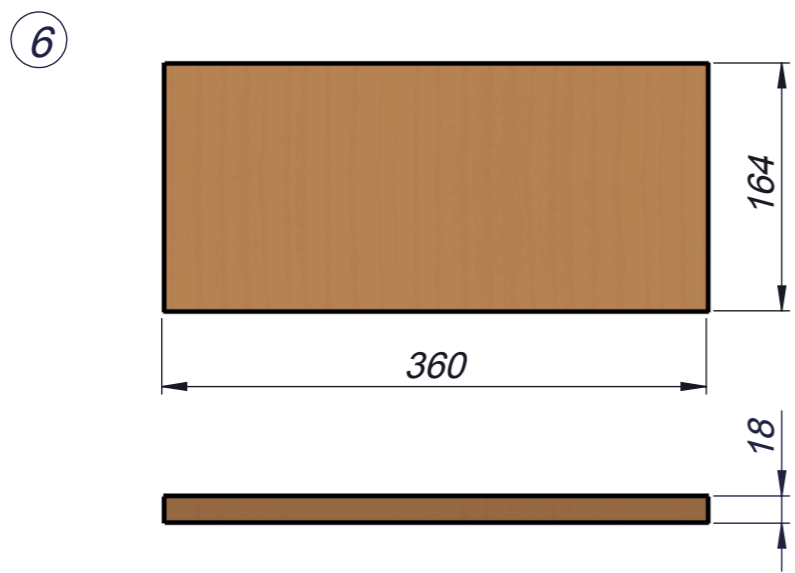
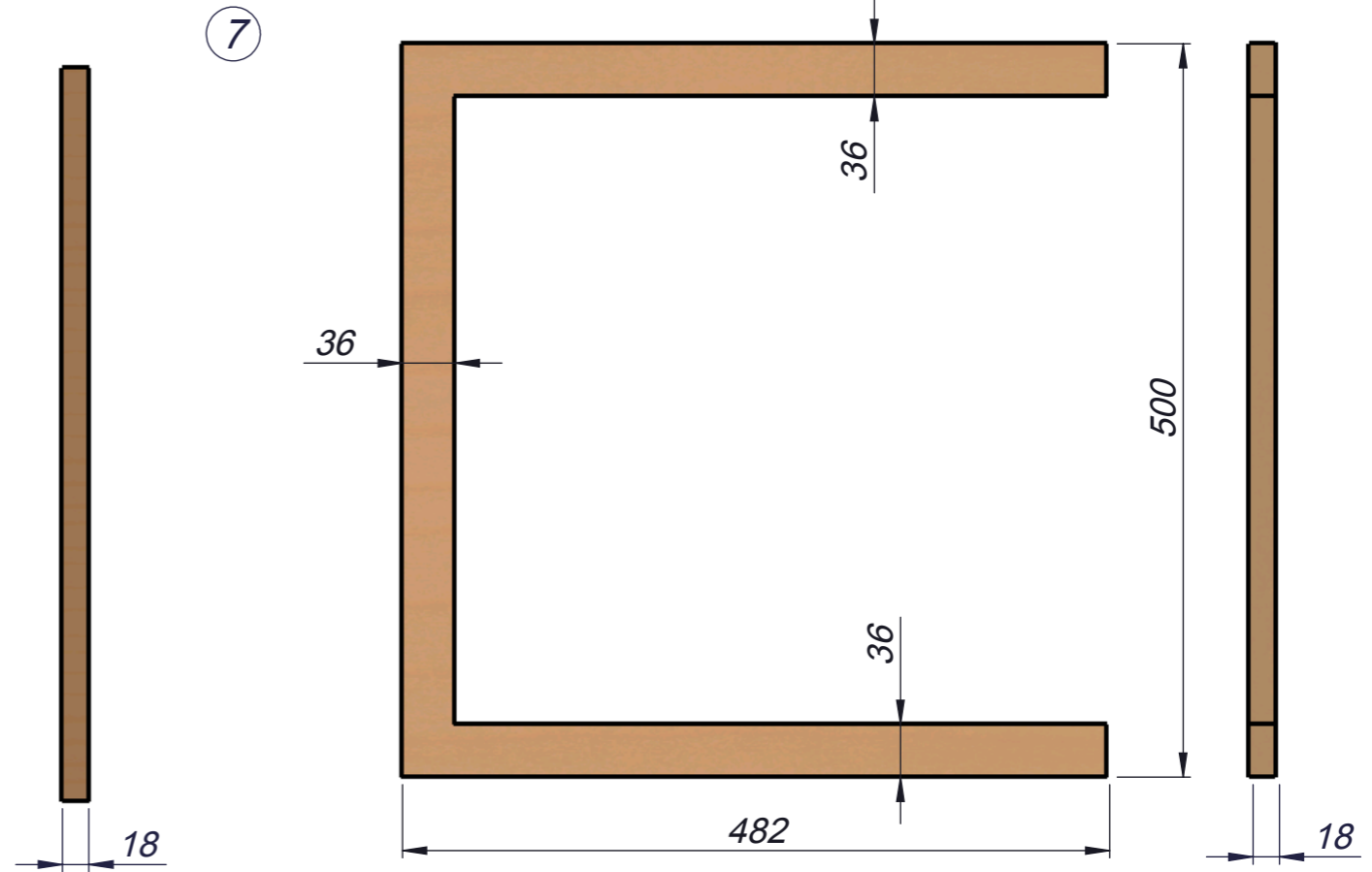
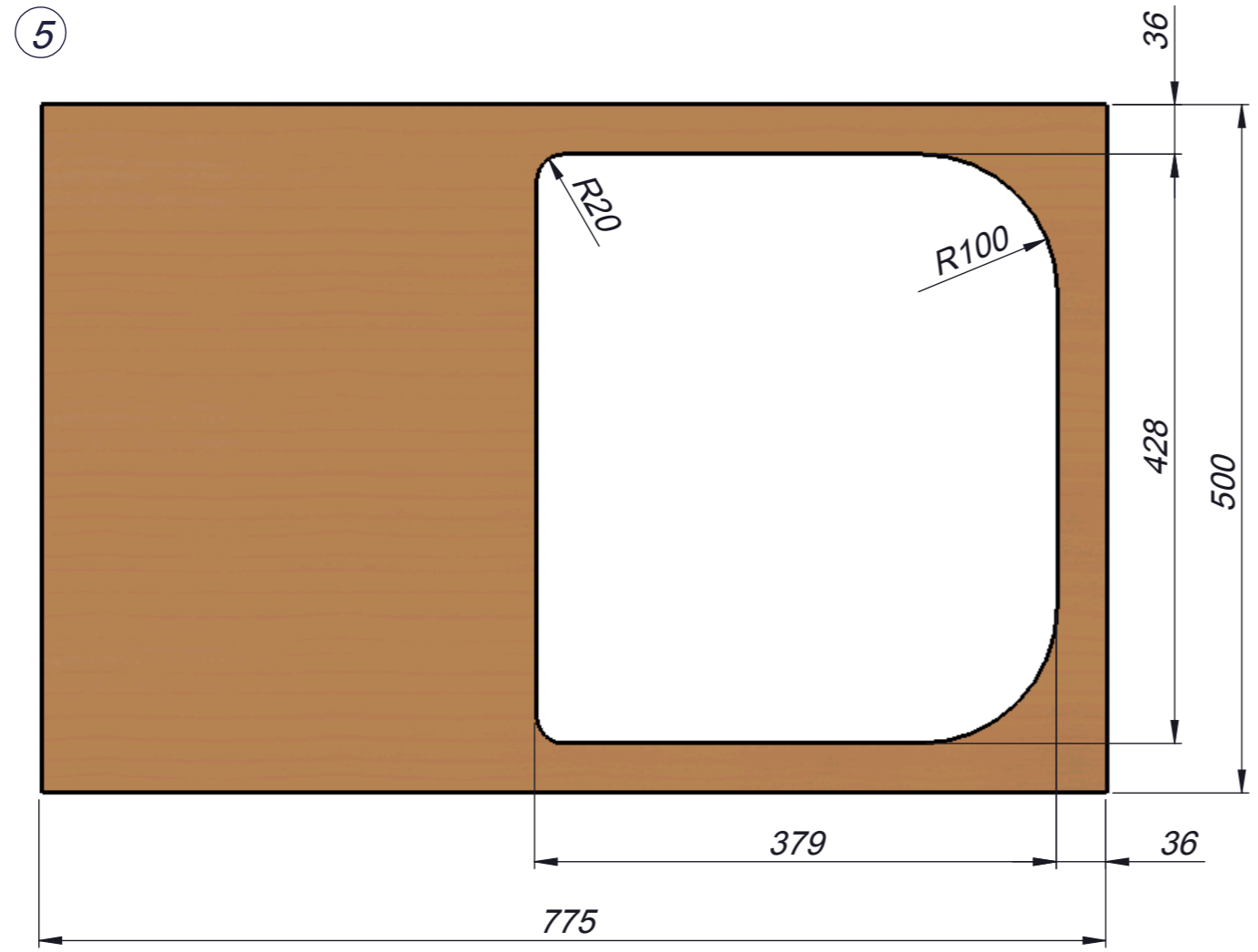




FRONT PANEL



INNER REINFORCEMENT





**beyma**  **S-SERIES**

***DIRECT RADIATION VENTED SUBWOOFERS***

