

beyma



S-218WRS

**DOUBLE 18WRS600 DIRECT
RADIATION VENTED SUBWOOFER**

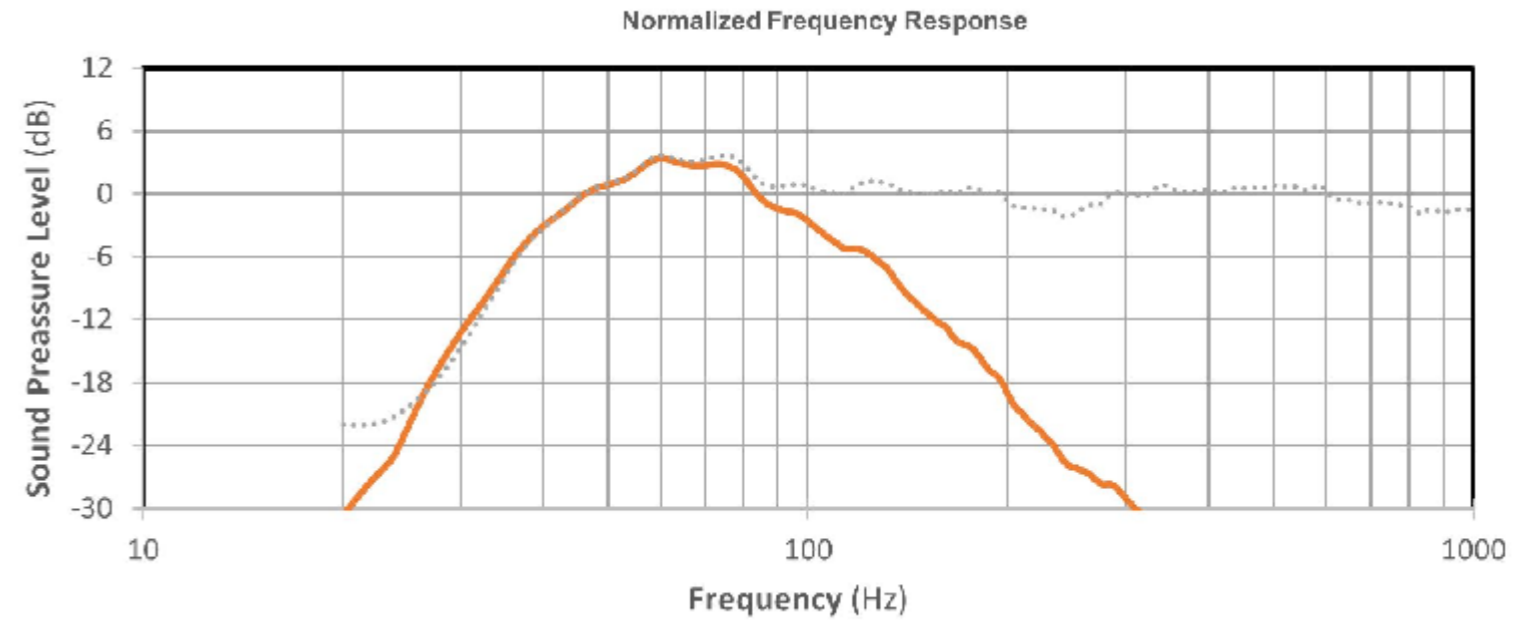


TECHNICAL SPECIFICATIONS

Frequency response (± 3 dB)	45 Hz - 200 Hz
Usable bandwidth (-10 dB)	34 Hz - 2 kHz
Maximum SPL (*)	136.5 dB
Sensitivity 1W@1m	103 dB
Transducer:	2 x 18WRS600
AES power handling:	1200 W
Nominal impedance:	4 Ω
Connectors:	2 x NL4
Box Dimensions: (**)	1200 x 536 x 800 (Birch Plywood 18mm)
<p>(*) Peak level at 1 m under free field conditions using pink noise with 2 crest factor (6 dB). (**) All dimensions in this files are in millimeters.</p>	



FREQUENCY RESPONSE

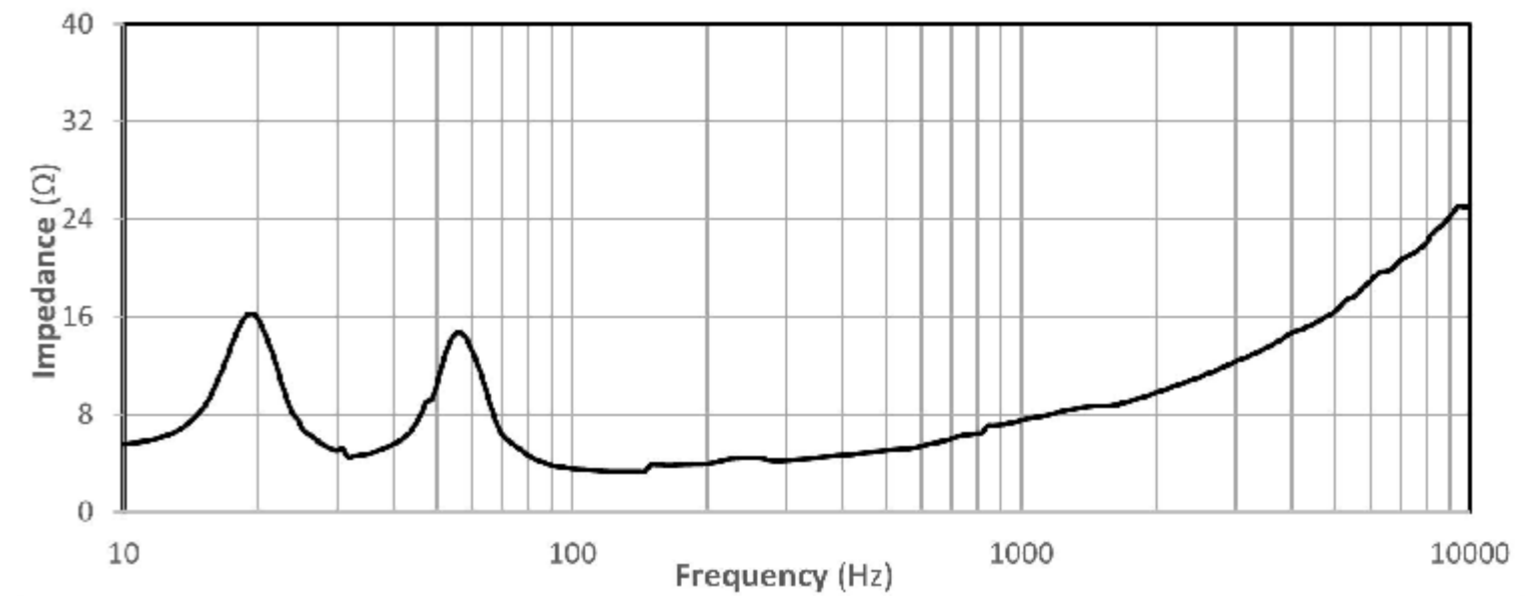


PRESETS

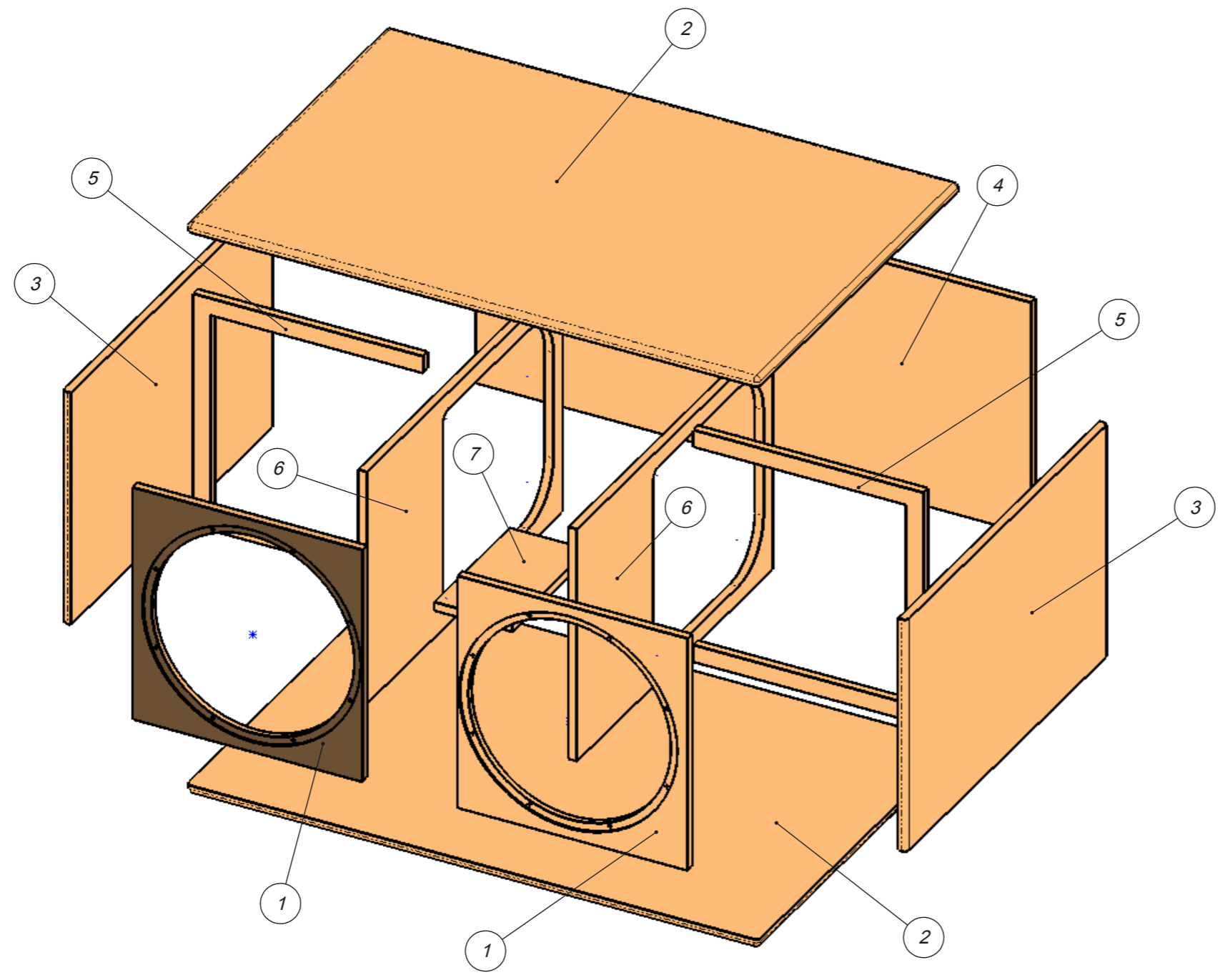
S-218WRS	f (Hz)	Shape	Order
HPF	28	BW	48 ^{dB/} _{octv}
LPF	100	BW	18 ^{dB/} _{octv}
EQ	f (Hz)	Q	Gain
1	45	5	2
2	86	5	+1.5
3	334	3	-3
LIMITER (*)	Threshold	Attack	Release
	7 dBu	35 ms	390 ms

**for 32 dB Gain amplifier*

IMPEDANCE



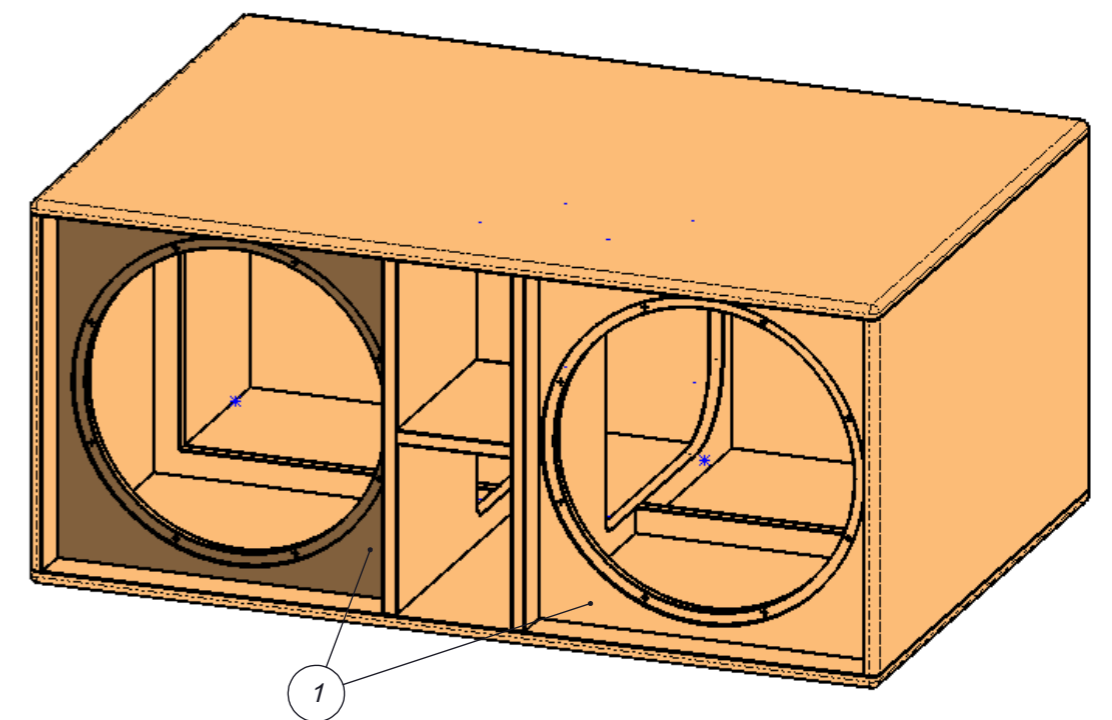
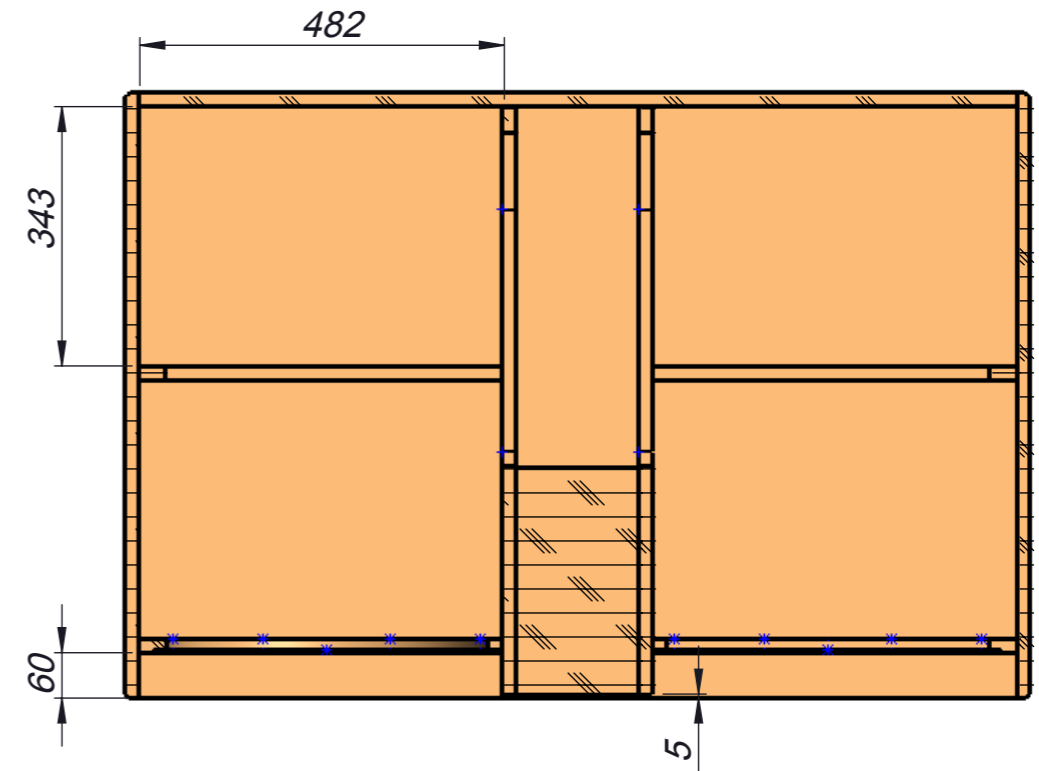
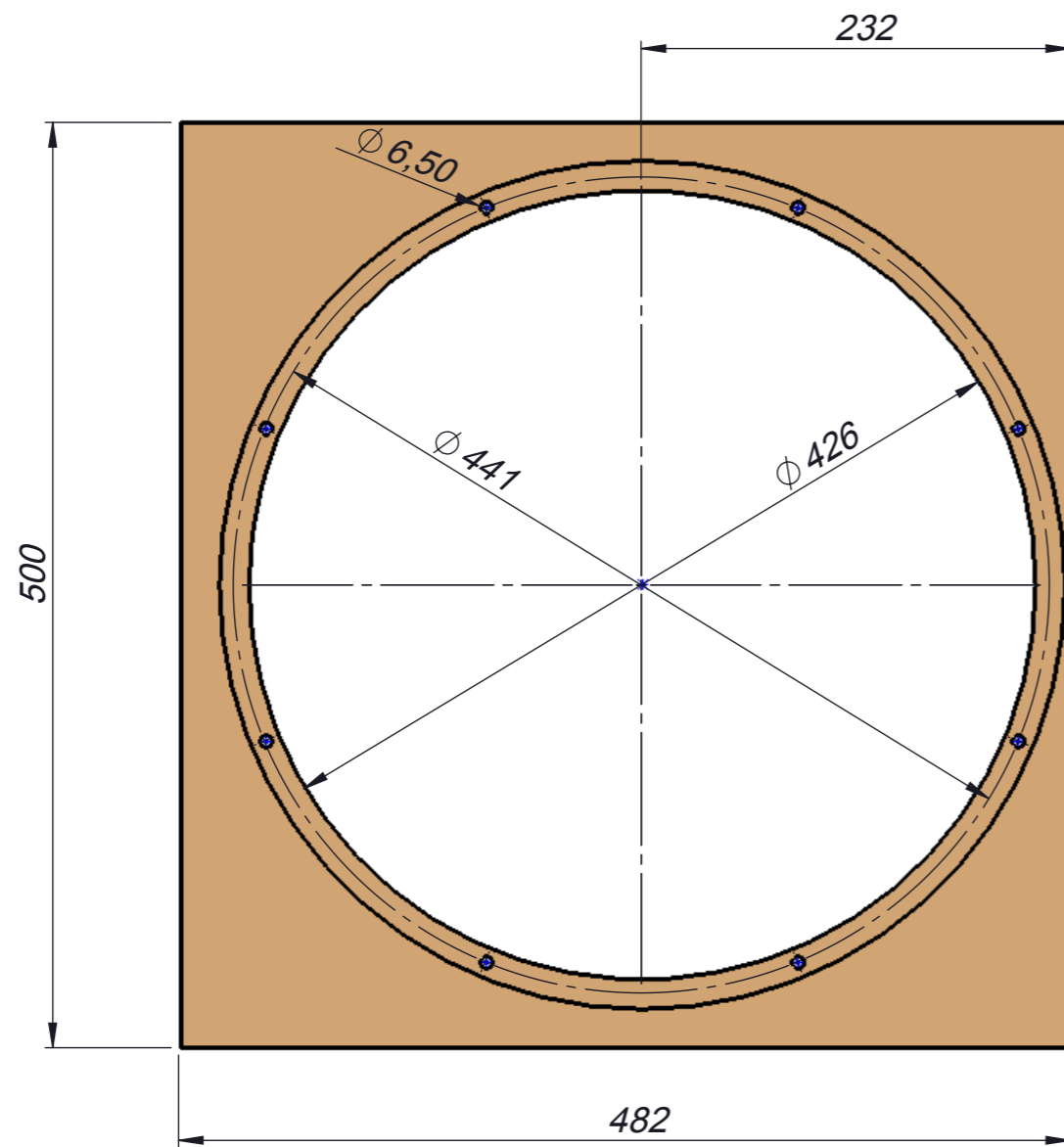
EXPLODED VIEW



PARTS LIST

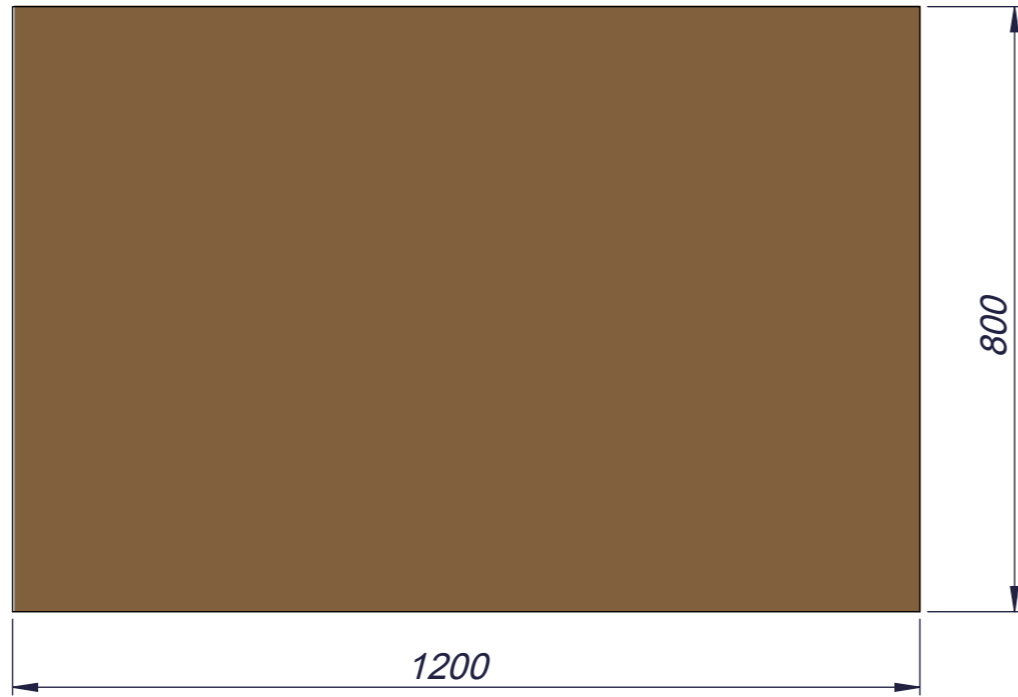
ITEM NO.	PARTS DIMENSIONS	QTY.
1	482 x 500 x 18	2
2	1200 x 800 x 18	2
3	500 x 800 x 18	2
4	1164 x 500 x 18	1
5	482 x 500 x 18	2
6	777 x 500 x 18	2
7	164 x 300 x 18	1

FRONT PANEL

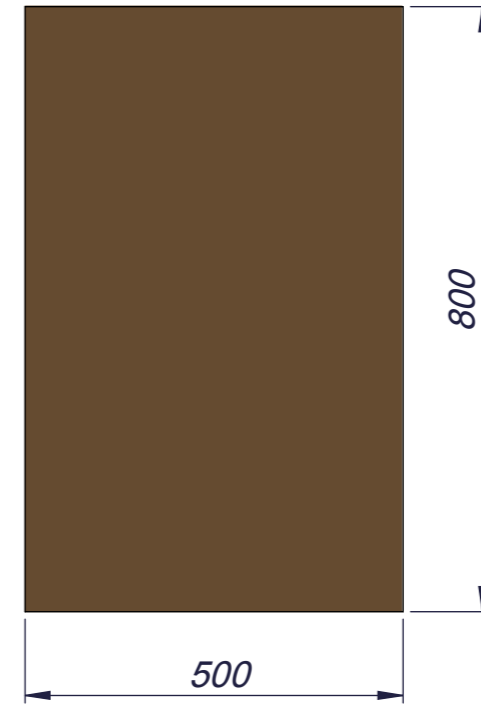


SIDES

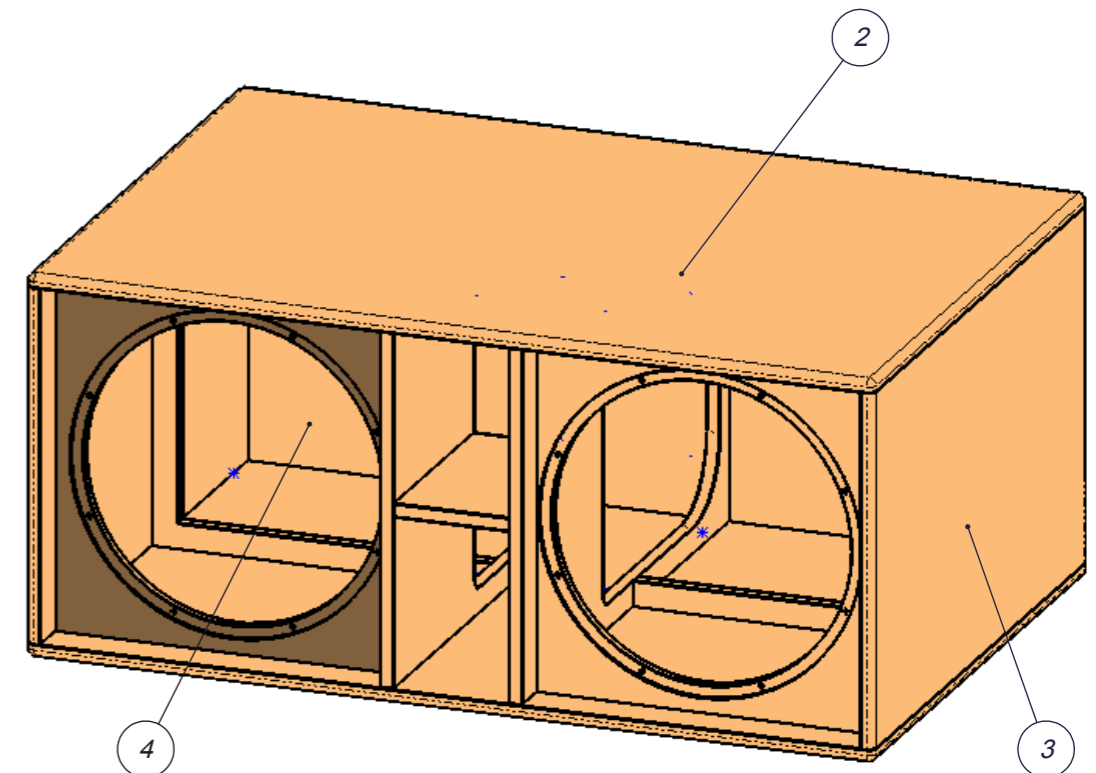
2



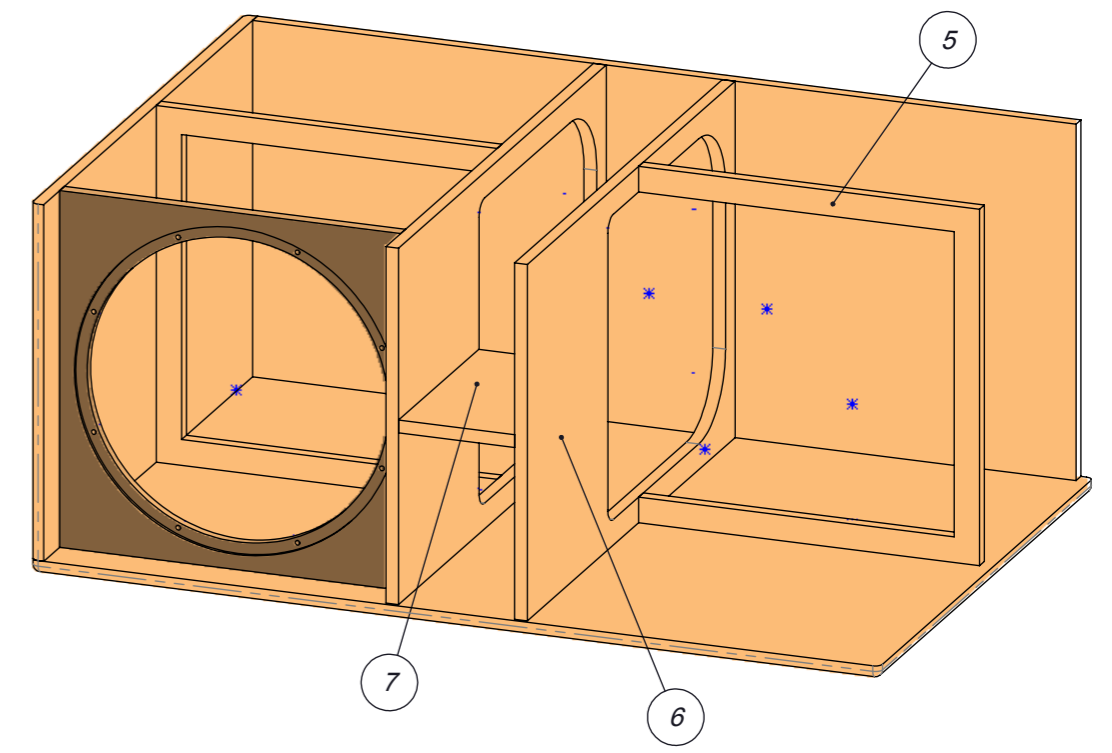
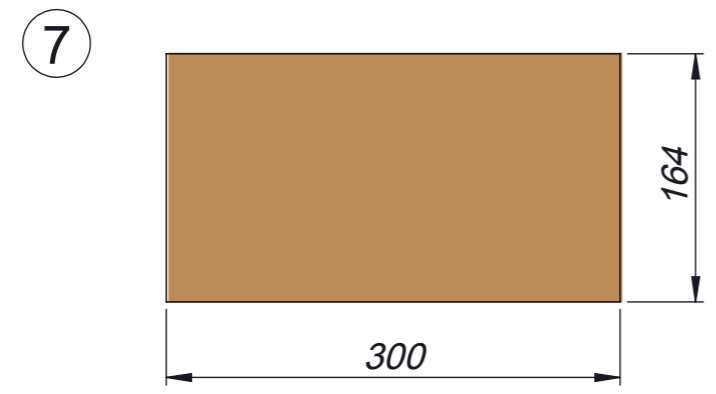
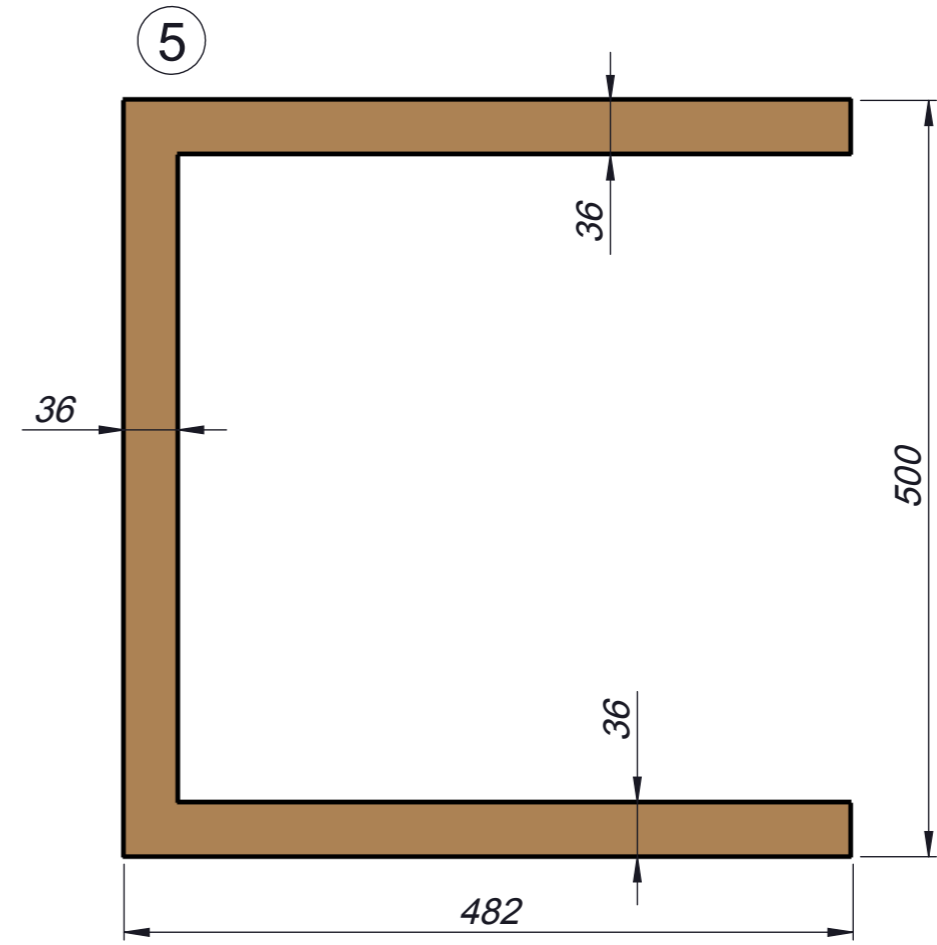
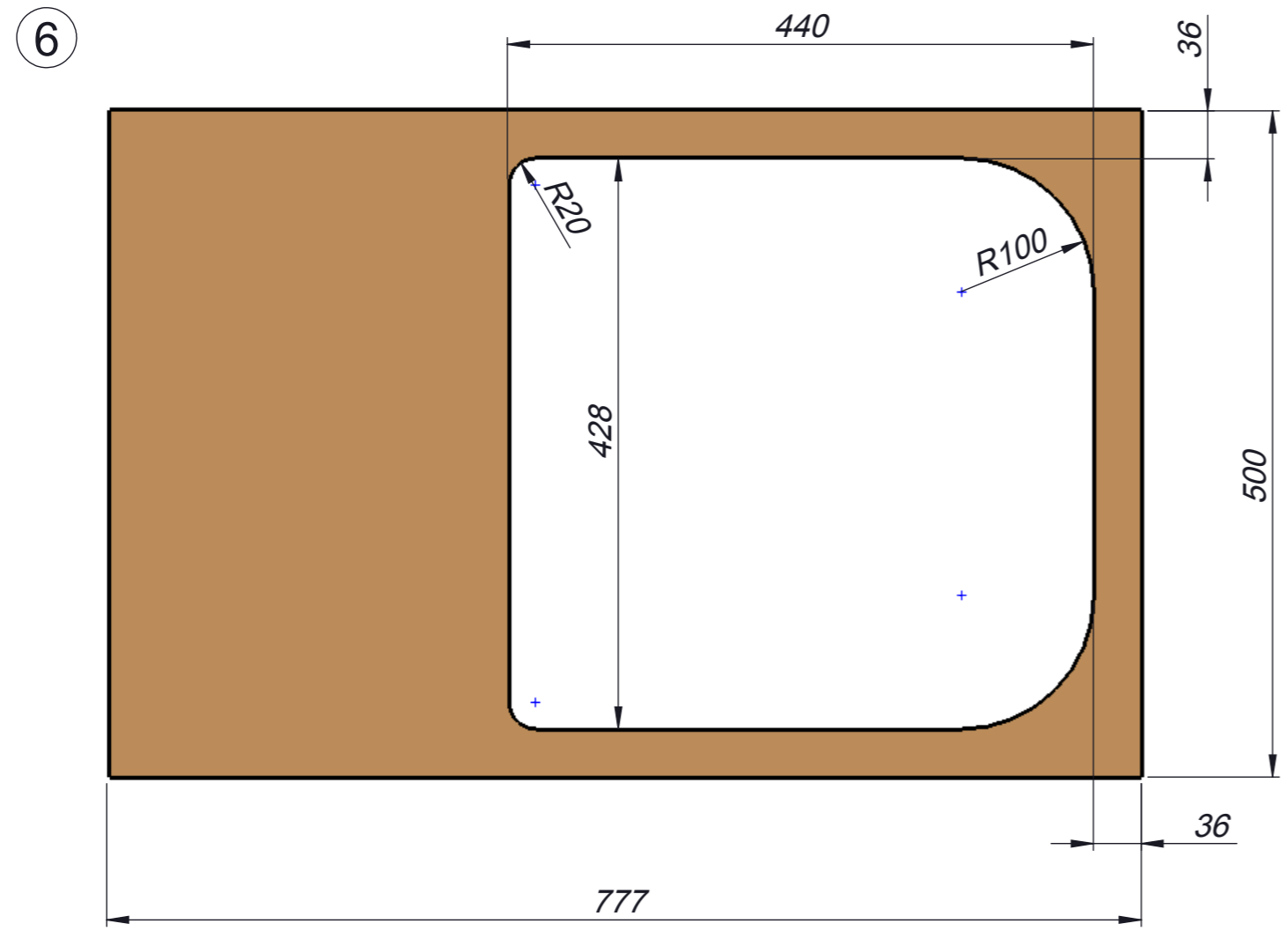
3



4



INNER REINFORCEMENT



beyma **S-SERIES**

DIRECT RADIATION VENTED SUBWOOFERS

