

beyma



S-21LEX1600
SINGLE 21LEX & 21QLEX 1600
DIRECT RADIATION VENTED
SUBWOOFER

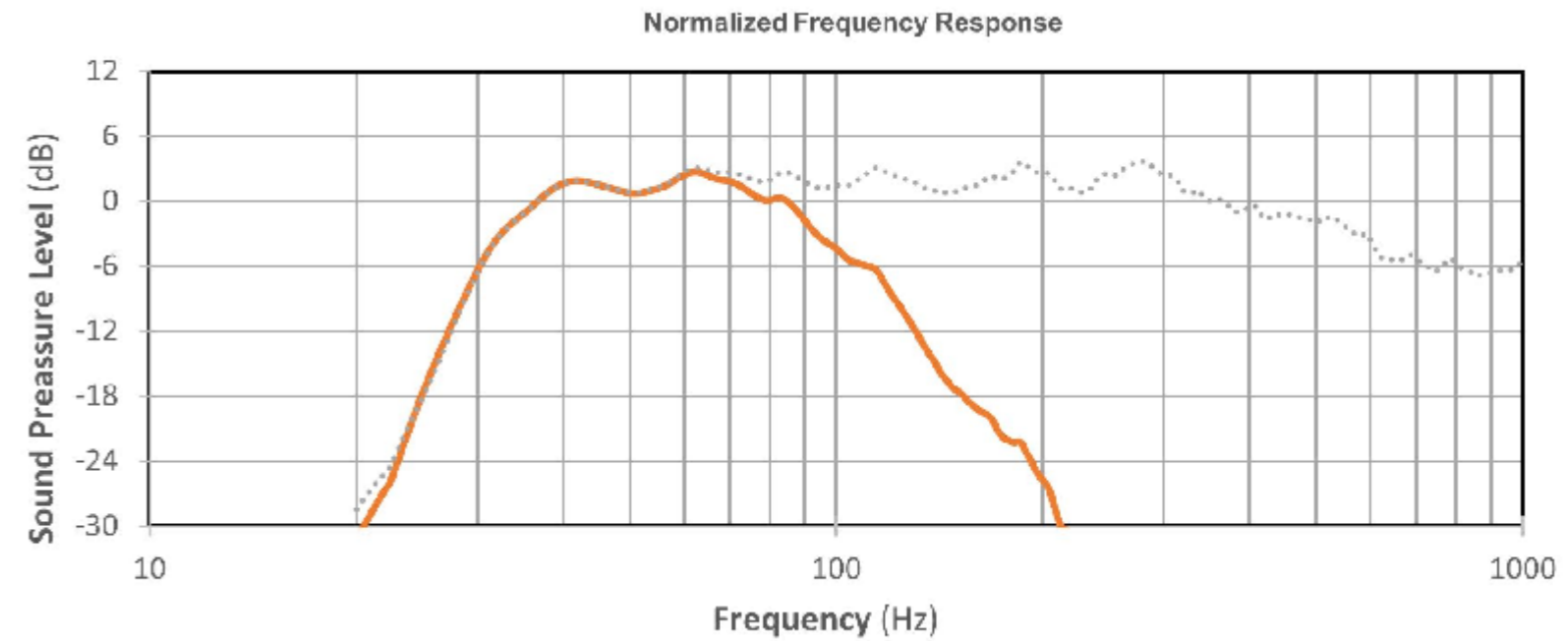


TECHNICAL SPECIFICATIONS

Frequency response (± 3 dB)	34 Hz - 226 Hz
Usable bandwidth (-10 dB)	36 Hz - 450 Hz
Maximum SPL (*)	137.5 dB
Sensitivity 1W@1m	99.5 dB
Transducer:	21LEX1600Nd & 21QLEX1600Fe
AES power handling:	1600 W
Nominal impedance:	8 Ω
Connectors:	2 x NL4
Box Dimensions:(**)	694 x 700 x 838 (Birch Plywood 18mm)
<p>(*) Peak level at 1 m under free field conditions using pink noise with 2 crest factor (6 dB). (**) All dimensions in this files are in millimeters.</p>	



FREQUENCY RESPONSE

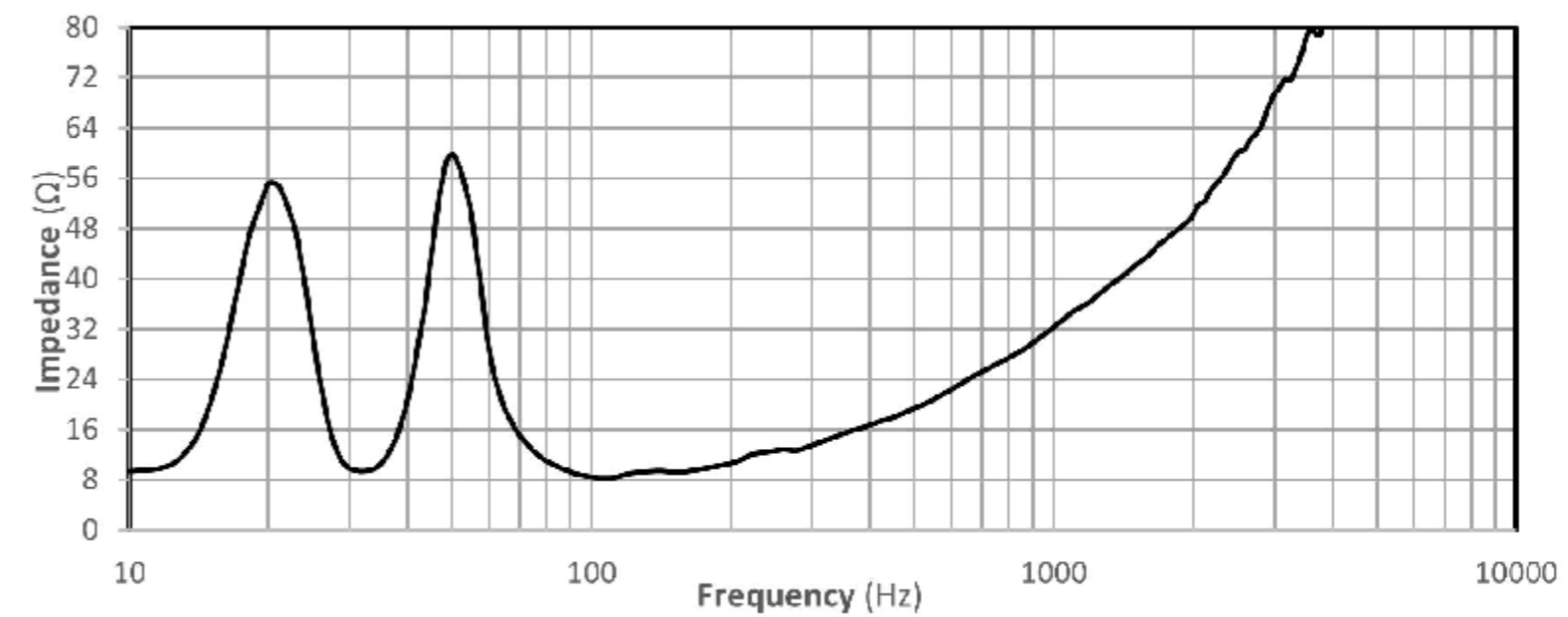


PRESETS

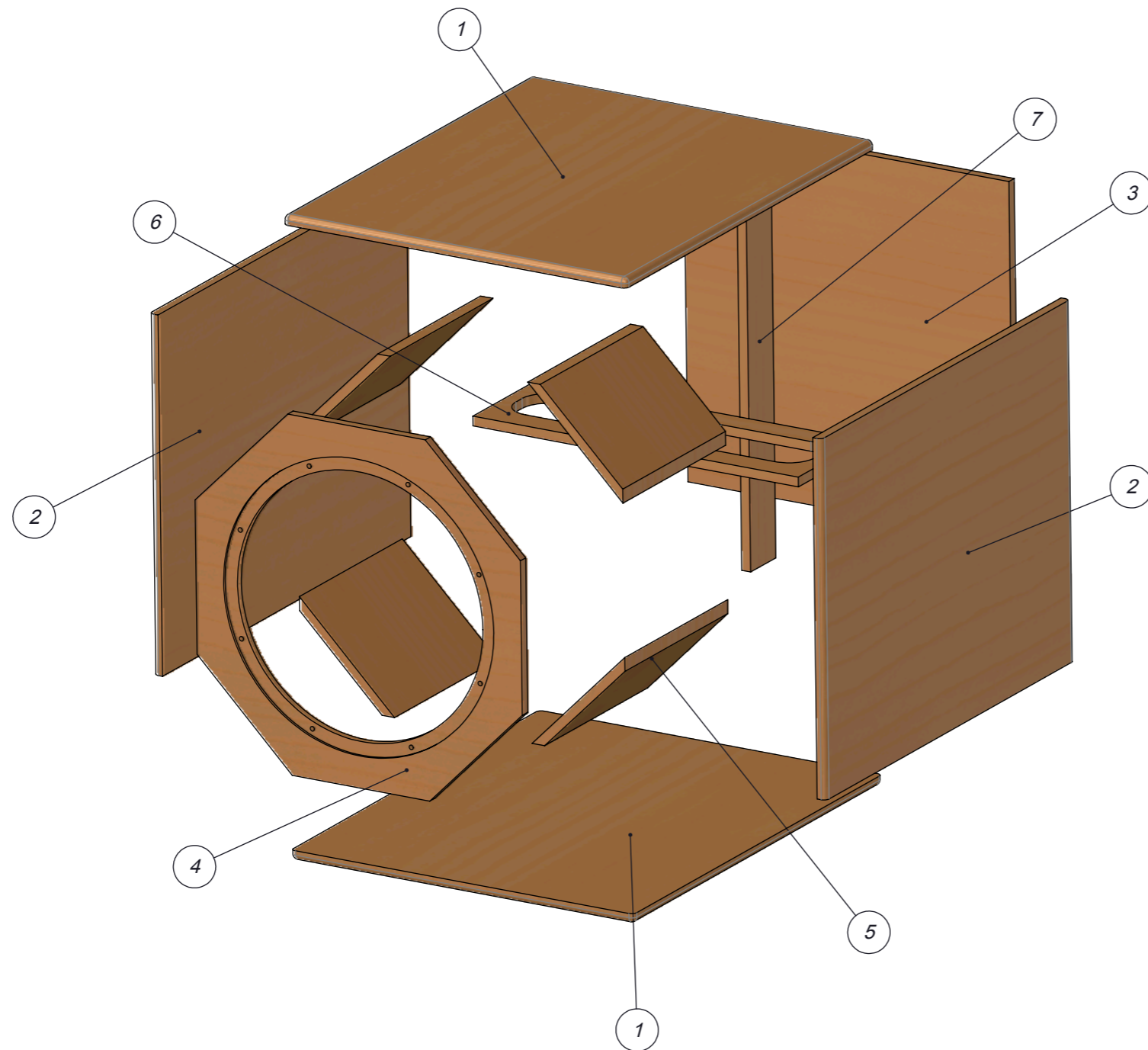
S-21LEX	f (Hz)	Shape	Order
HPF	21	BW	48 ^{dB/} _{octv}
LPF	88	BW	24 ^{dB/} _{octv}
EQ	f (Hz)	Q	Gain
1	45	4.4	+2.5
2	60	5	-2
3	96	5	1
4	115	5	-2
LIMITER (*)	Threshold	Attack	Release
	11 dBu	45 ms	400 ms

**for 32 dB Gain amplifier*

IMPEDANCE



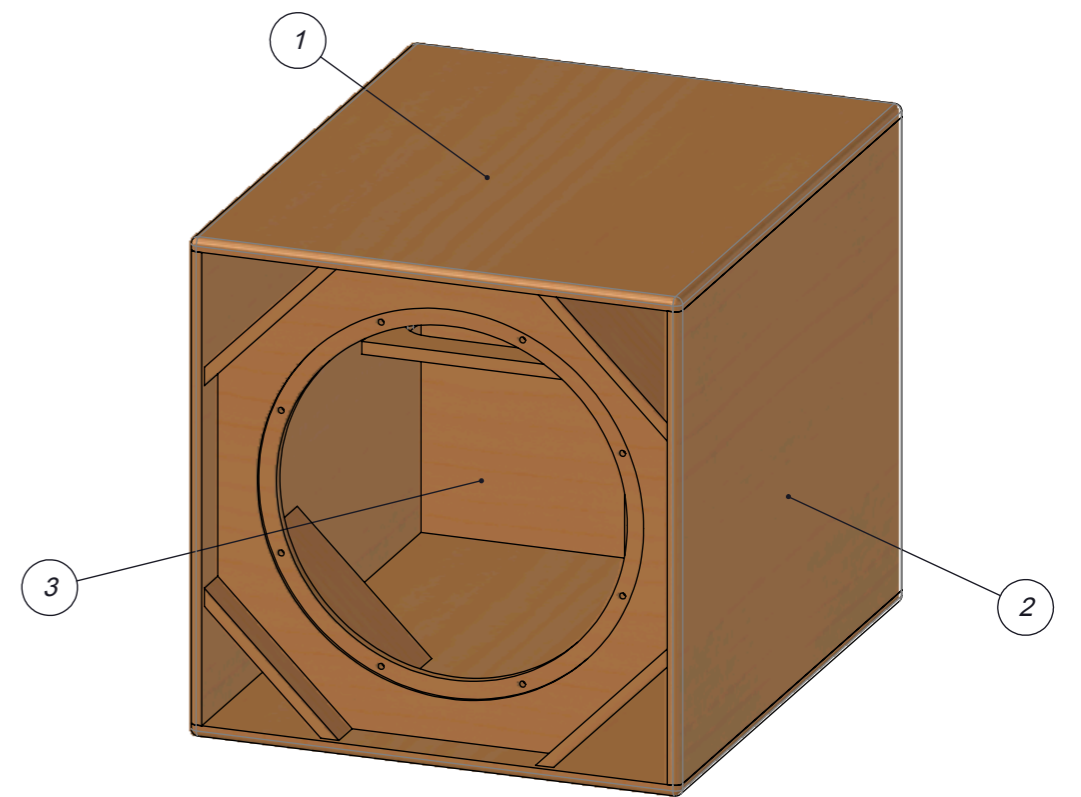
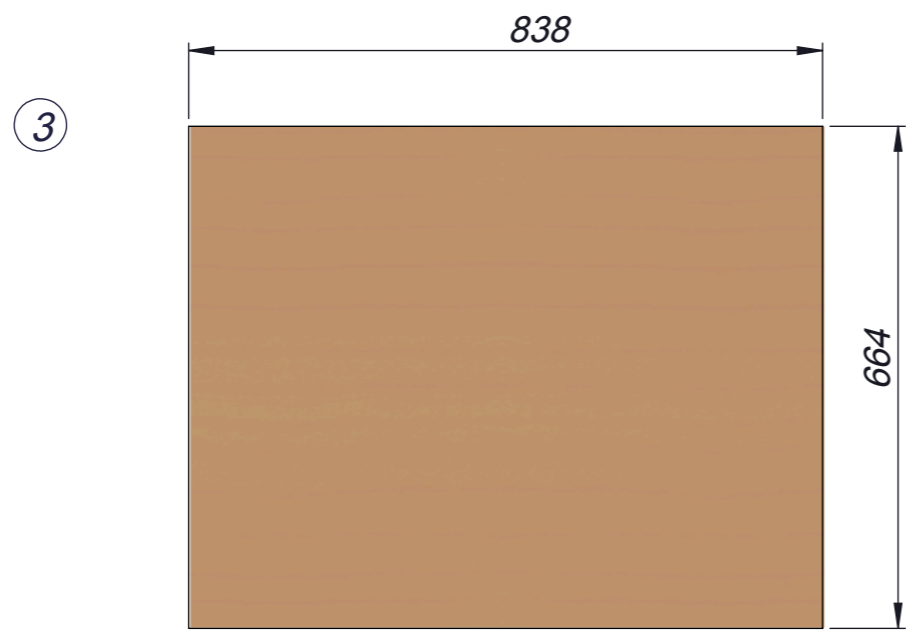
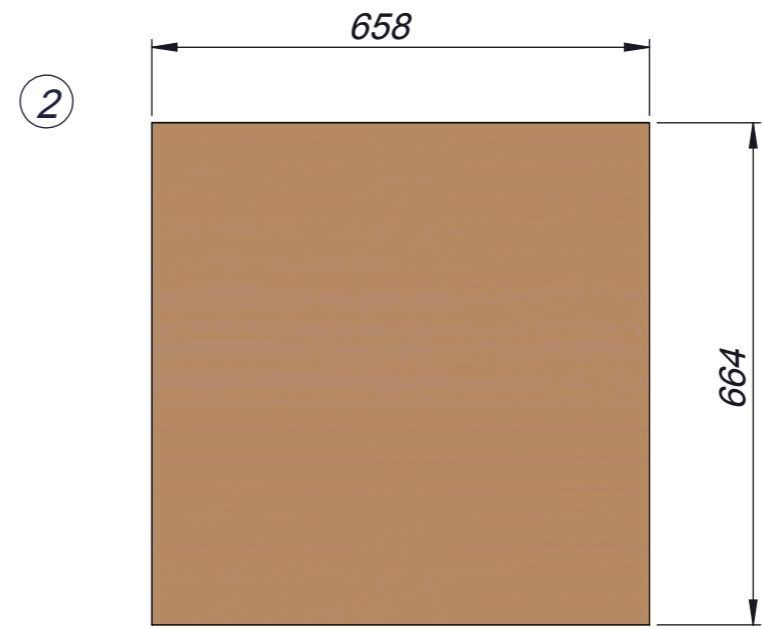
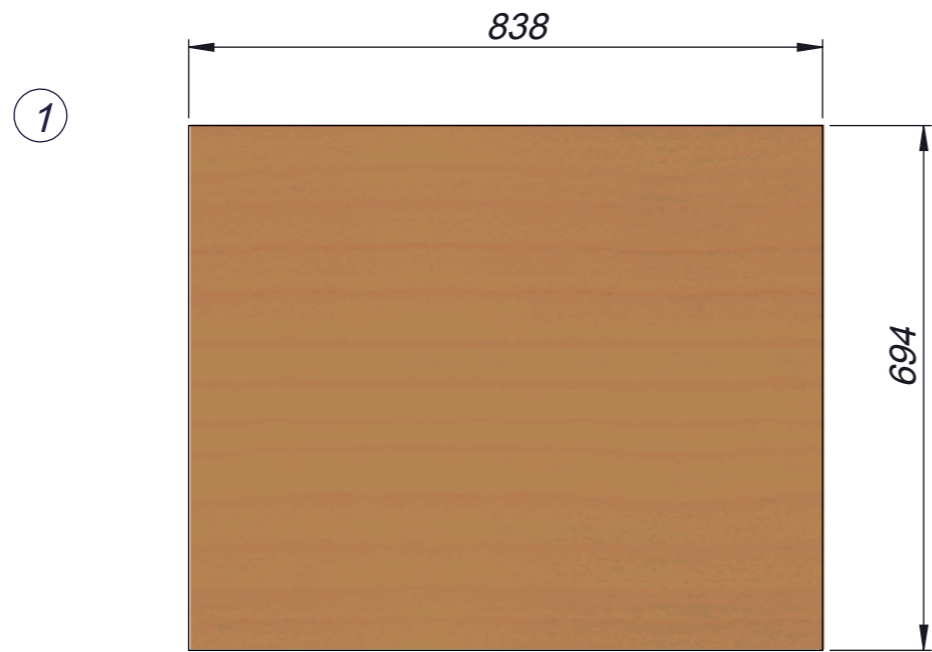
EXPLODED VIEW



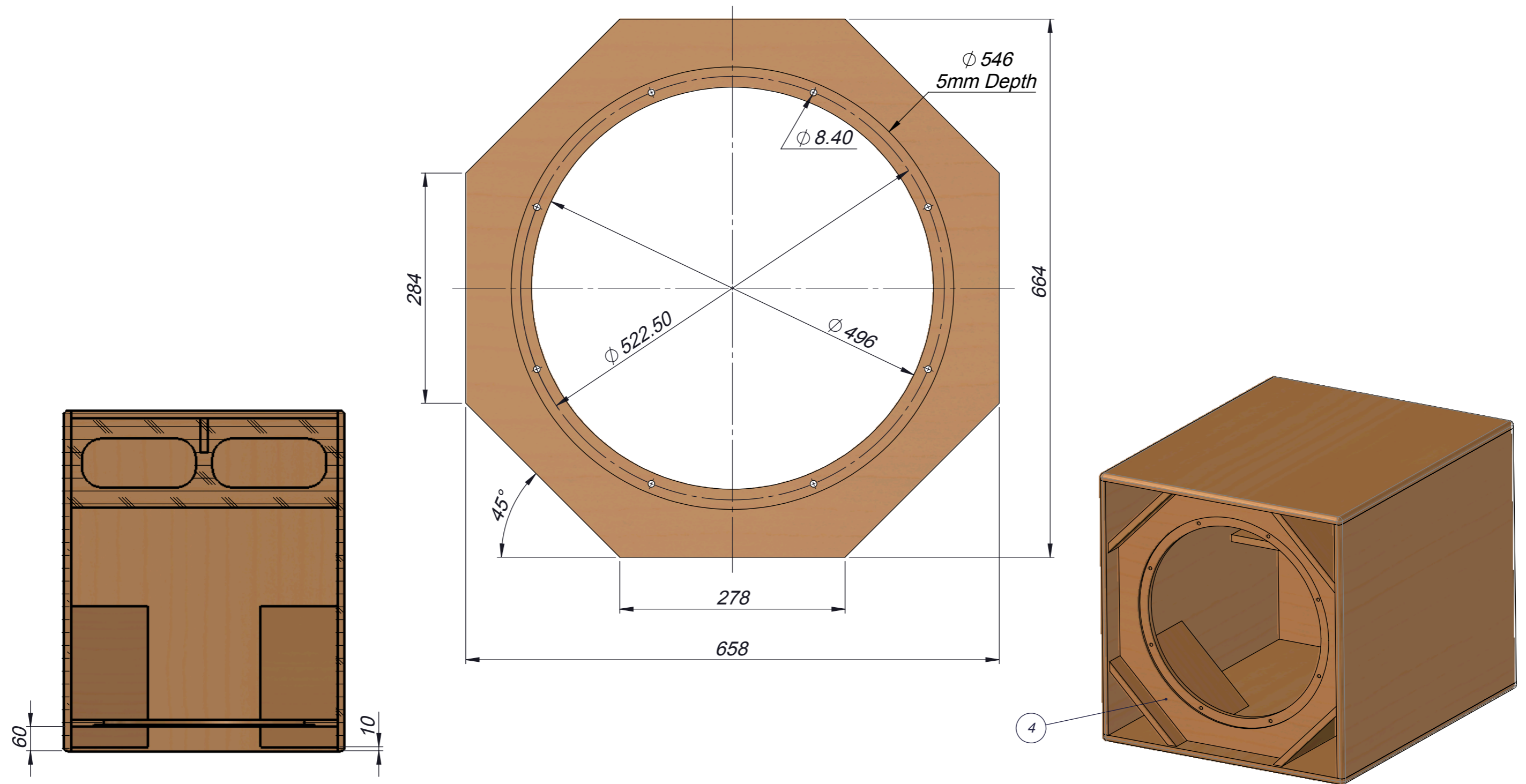
PARTS LIST

ITEM NO.	PARTS DIMENSIONS	QTY.
1	838 x 694 x 18	2
2	658 x 664 x 18	2
3	838 x 664 x 18	1
4	658 x 664 x 18	1
5	347 x 269 x 18	4
6	658 x 221 x 18	1
7	664 x 85 x 18	1

SIDES

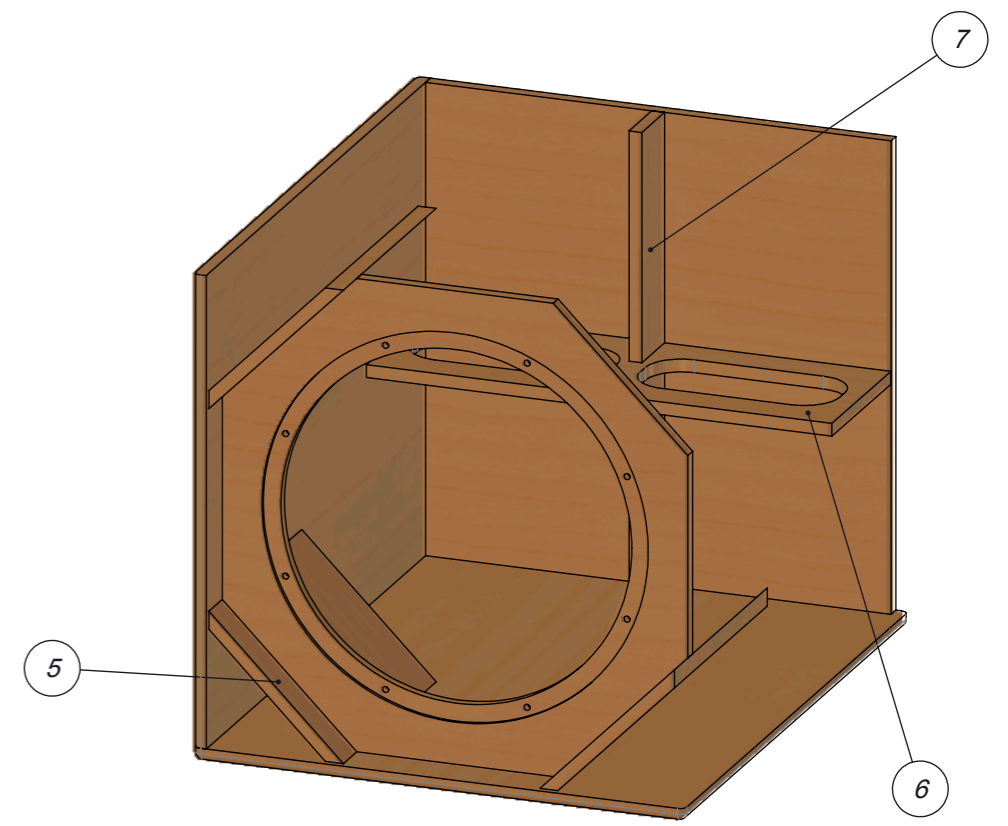
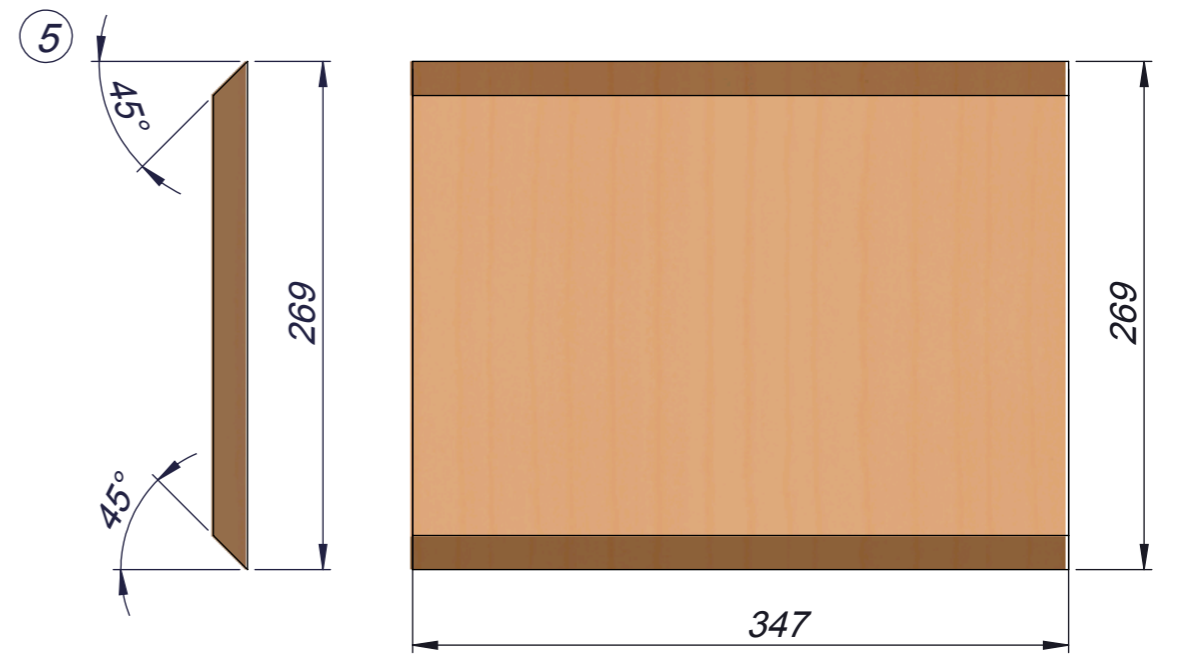
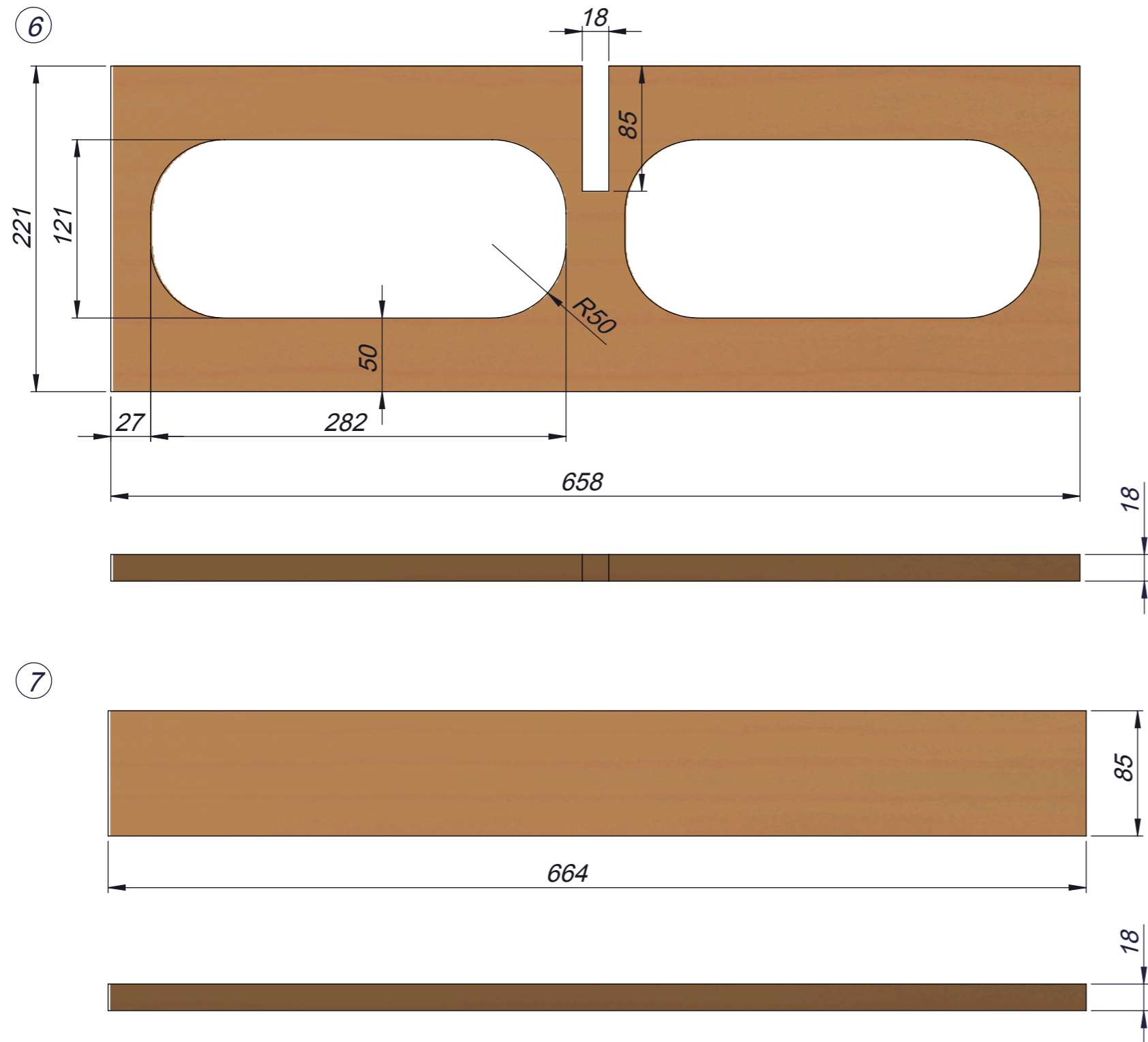


FRONT PANEL



INNER REINFORCEMENT

VENT



beyma  **S-SERIES**

DIRECT RADIATION VENTED SUBWOOFERS

